

DRIFTER

by  **BM PRO**

OWNER'S MANUAL



CONTENTS

Introduction	3
Safety Precautions	3
Accessories	4
Other Required Items	5
About Drifter	5
Names and Functions of Parts	6
Operation	7
Description of Display Elements	7
Description of Switches and Buttons	8
USB Charger	9
Clock Setting	9
Advanced Configuration	10
Enabling Parameter Set-up Mode	10
New Battery Installation	12
Capacity Learning	12
Connectors	13
Installing the Drifter	14
Personnel	14
Installation Environment	14
Mounting	14
Battery Shunt Wiring	16
Water Tank Level Wiring	17
Servicing	22
Specifications	22
After-sales Service	22
Repairs and After-sales Service	22
Warranty Terms and Conditions	23

Copyright © Setec 2014

Disclaimer


Setec makes no claim as to the accuracy or suitability of the information contained in this manual. Setec accepts no liability for any loss or damage, which may occur as a result of improper or unsafe use of its products. Warranty is only valid if the unit has not been modified by the customer and has not been misused.


INTRODUCTION

SAFETY PRECAUTIONS

Please read the Safety Precautions carefully before installing the power supply. Be sure to observe all precautions without fail.

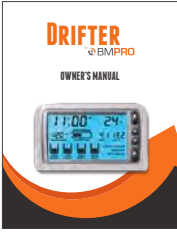
After completing installation, conduct a trial operation to check for faults.

 WARNING	Failure to follow these instructions properly may result in personal injury or loss of life.
Ensure that there is good ventilation from the battery area.	
This appliance is not intended for use by young children or infirm persons without supervision. Young children should be supervised to ensure that they do not play with the appliance.	
Batteries are electrically alive at all times and must be treated with extreme caution. They can supply high short circuit currents, even if they appear damaged.	
Take care that dropping or touching of metal objects onto the battery cell does not cause short circuits.	
Remove any personal metal adornment such as a chain, watch or ring, which could cause short circuits and personal injury.	

 CAUTION	Failure to observe these instructions properly may result in property damage or personal injury, which may be serious depending on the circumstances.
Refer to the installation section before operating. Correct installation is the most critical factor in ensuring the safe use of the product. If every consideration of these instructions has been satisfied the product will be safe to operate.	
Ensure that cable connections to batteries have the correct polarity and are protected against accidental short circuit.	
Ensure that the shrouding supplied with the battery is fitted to the terminals.	
Before servicing a battery, disconnect the power supply from the mains supply.	
Do not charge non-rechargeable batteries. Charging a non-rechargeable battery may result in the battery catching fire or possible explosion.	
Do not allow water or other liquids to enter the installation area.	

ACCESSORIES

The following accessories are provided with the retail pack for this product.



Manual



Mounting bracket



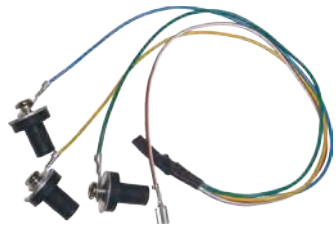
Battery neg cable



Current shunt



Single-bung water level sensor
(x2)



Three-bung water level sensor
(x2)



Battery shunt cable 9m



Remote shutdown cable 9m

OTHER REQUIRED ITEMS

- › Two sets of cables for connecting between the Drifter and the water tanks
- › QC terminals or similar for the above cable.

ABOUT THE DRIFTER

Designed specifically for caravan applications, the Drifter is a display unit that monitors water tank levels and the 12 V battery charge state. Its backlit LCD presents information such as:

- › Battery voltage
- › Current flowing in (charging)
- › Current flowing out (discharging)
- › Estimated battery charge status and the estimated time to discharge
- › Level indication of up to 4 water tanks including 1 waste water indicator
- › Time (digital clock) with am/pm
- › Water pump status
- › Battery on/off status

Features also include:

- › Back-light which can be set as a night light
- › USB charger
- › Water pump (on/off switch)
- › Battery (on/off switch)

NAMES AND FUNCTION OF PARTS

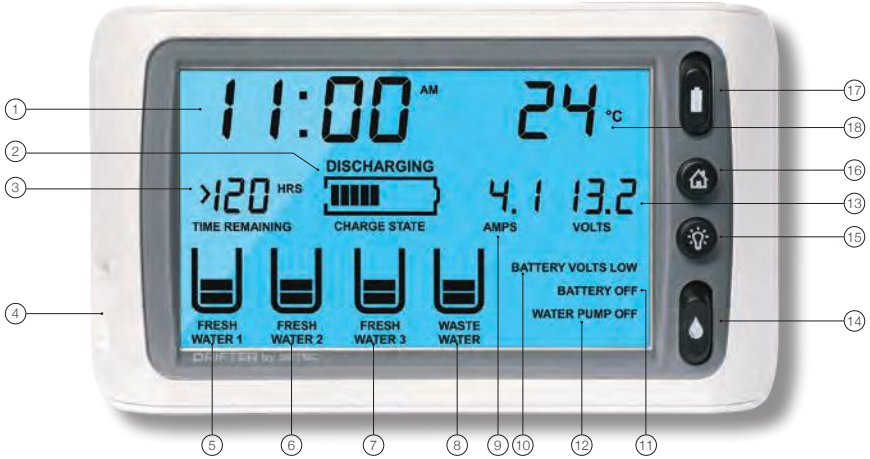


Figure 1: Names and functions

- | | |
|---|---|
| <p>① Clock display
Current time in 12 hour mode</p> <p>② Battery charge state</p> <p>③ Battery time remaining
while discharging at current discharge rate</p> <p>④ USB charger
Generic 0.9 Amp USB charger</p> <p>⑤ Water level in tank 1</p> <p>⑥ Water level in tank 2</p> <p>⑦ Water level in tank 3 (if fitted)</p> <p>⑧ Level in waste water tank (if fitted)</p> <p>⑨ Battery current</p> <p>⑩ Warning annunciator
Displays if battery voltage is low</p> | <p>⑪ Switch status annunciator
Displays if battery is isolated by switch ⑰</p> <p>⑫ Switch status annunciator
Displays if water pump is off due to switch ⑭</p> <p>⑬ Battery voltage</p> <p>⑭ Water pump switch</p> <p>⑮ Back-light button</p> <p>⑯ Home button
Home button is used for Setup functions and parameter changes</p> <p>⑰ Battery isolate switch
When paired with a compatible power supply, this switch will isolate the battery from the loads</p> <p>⑱ Ambient temperature
Ambient temperature in °C / °F</p> |
|---|---|

OPERATION

In normal power-on mode the unit displays the Home screen. The various display elements of the Home screen are described below.

DESCRIPTION OF DISPLAY ELEMENTS

Clock ①

This displays the time of day in 12-hour mode with AM/PM indication. To set the clock, refer to Clock Setting on page 9.

Temperature ⑱

This displays the ambient or room temperature. The temperature sensor is located in the bottom left corner of the unit.

Time Remaining ③

This is the time remaining in the battery if it continues to discharge at the current rate.

- › If the remaining time is 2 hours or less, the display shows the remaining time in minutes.
- › If the remaining time is greater than 2 hours, the display shows the remaining time in hours.
- › If the remaining time is greater than 199 hours, the display shows ">199 HRS".
- › If the battery is charging, the display is blank.

Charge State ②

This is a multi-segmented bar graph showing the state of charge of the battery. Above the bar graph is displayed the word "CHARGING" or "DISCHARGING" according to the charging state of the battery.

Amps ⑨

This shows the charging current into the battery or the discharging current from the battery. To determine if it is a charging or discharging current it is necessary to refer to the Charge State indicator to the left of this field.

Volts ⑬

This displays the battery voltage.

Fresh Water Tanks ⑤ ⑥ ⑦

These indicate the approximate water level in each of the tanks.

If a tank is not installed that tank indicator will always show empty (no level segments will be shown).

When full, all level segments are shown.

When empty, the bottom level segment flashes and the other segments are not shown.

Note: If the pump switch is off, the water level displays are not updated; they continue to show the levels from the last time the pump switch was on.

Waste Water Tank ⑧

This indicates the approximate level in the waste water tank.

If the tank is not installed the indicator will always show full (all level segments will be shown).

When full, all level segments are shown and flashing.

When empty, only the bottom level segment is shown.

Note: If the pump switch is off, the display is not updated; it continues to show the level from the last time the pump switch was on.

Battery Volts Low ⑩

This indicator shows when the battery voltage is at or below 11.0 Volts.

This is user settable, refer to Advanced Configuration section.

Battery Off ⑪

This indicator is displayed when switch ⑰ is in the off position

Water Pump Off ⑫

This indicator is displayed when the water pump switch ⑭ is in the off position.

DESCRIPTION OF SWITCHES AND BUTTONS

Battery Switch ⑰

Note: The Drifter is designed to interface with Setec power supplies. The functionality described below assumes the Drifter has been correctly connected to such a power supply.

The Battery Switch is used to disconnect the battery from the loads.

In the off position the battery will not power the loads and “BATTERY OFF” ⑪ is displayed.

In the on position no battery annunciator is shown and the battery will power the loads if no mains power is connected.

Note: This switch also enables/disables the USB charging port

Home Button ⑱

The Home button is used

- › in entering setup modes
- › in changing settings
- › to turn on the Back-light

Its usage is described in the relevant sections.

Back-light button ⑮

The Back-light button is primarily used to enable the back-light. It is also used in entering setup modes and in changing settings.

Back-light Functionality

Turn on back-light temporarily:

Press either the Home or Back-light button.

The back-light will automatically turn off after 30 seconds.

Turn on back-light Permanently:

With the back-light off, press and hold the Back-light button until the back-light blinks (approximately three seconds).

Turn off back-light:

Press the Back-light button. This cancels both temporary and permanent back-light display.

Water Pump Switch ⁽¹⁴⁾

This switch controls power to the water pump.

In the up position the pump is off and the display shows "WATER PUMP OFF" ⁽¹²⁾

In the down position the pump is powered and the display does not show any water pump annunciator.

USB CHARGER ⁽⁴⁾

A standard USB-style charger is integrated into the DRIFTER. Charge current is limited to 0.9A.

CLOCK SETTING

1. Ensure the display is in normal mode (not in any setting mode).
2. Press and hold the **Home** button for at least 5 seconds. The minute digits will start flashing, the "TIME" annunciator will be displayed, and all other non-relevant display segments are turned off.
3. Pressing the **Home** button will now toggle between setting the hour digits and minute digits.
4. To increment the flashing digits, press the **Back-light** button.
5. To exit the Clock Setting mode, do not press any button for at least 15 seconds. When the display returns to its normal appearance, it means setup mode has been exited.

ADVANCED CONFIGURATION

These parameters are factory set.

Unless you are changing batteries or changing the number of water tanks, there is no need to enter this mode.

ENABLING PARAMETER SETUP MODE

1. Ensure the display is in normal mode (not in any setting mode)
2. Press and hold the **Home** and **Back-light** buttons for at least 5 seconds.
When Parameter Setup Mode is entered:
 - › The “SETUP” annunciator is on (near the AM/PM indicators)
 - › The temperature digits show the parameter number
 - › The clock digits show the parameter value
 - › All other LCD segments are off.
3. Pressing the **Home** button displays the next parameter and its value. If the last parameter is displayed, pressing the **Home** button displays the first parameter. The available parameters are shown in Table 1: Setup Parameters.
4. To increment the parameter value, press the **Back-light** button.
 - › Incrementing past the maximum value causes the lowest value to be selected.
 - › For some parameters holding pressed the **Back-Light** button will force a fast or slow increment of it's value.
5. To exit the Parameter Setting mode, do not press any button for at least 15 seconds. When the display returns to its normal appearance, it means setup mode has been exited.

Parameter Number	Description	Default Value	Range
1	Enables tank sensor 1.	1	0 – 1
2	Enables tank sensor 2.	1	0 – 1
3	Enables tank sensor 3	0	0 – 1
4	Enables waste water sensor 4	0	0 – 1
5	Temperature units select, °C or °F (initially °C)	0	0 – 1
6	Rated Capacity – The actual rated capacity of the battery in Ah	100	7 – 999
7	Low voltage alarm threshold, V	11	10.5 – 12.5
8	Battery operating temperature – Initially °C	25°C 77°F	-20 – 50°C -4 – 122°F
9	Total Cycles – An estimate of the total number of charge discharge cycles (Read Only)	0	0 – 999

Table 1: Setup Parameters

Tank Sensors

If a tank sensor is enabled but no tank sensor is connected, the tank level will be shown as either full or empty, depending on whether the pump switch is on or off. By disabling the sensor the tank level is always shown empty.


Temperature Units Select

This parameter sets the temperature units to either °C or °F. Setting it to a 1 will convert the temperature to °F. Default units is °C.

Rated Capacity

This is the actual capacity of the battery in Amp-hours. When a new battery is fitted, set this to the nominal battery capacity (as marked on the battery); doing this will assist the software in determining the actual capacity.

Low Voltage Alarm Threshold

This threshold sets the voltage at which the low voltage indicator  starts blinking. This is user settable and is used to indicate the desired low voltage.

Battery Operating Threshold

This is the typical operating temperature of the battery. This helps improve the accuracy of the predicted time remaining readout . This can either be in °C or °F depending on parameter 5.

NEW BATTERY INSTALLATION


The Drifter unit is a smart battery monitor in that it is able to learn the actual battery capacity and thus provide more accurate “Time Remaining” feedback to the user. When an existing battery is replaced by a new one, the capacity of the new one is likely to be much higher. Fitting a new battery and doing nothing else will result in the “Time remaining” display initially being quite inaccurate. As the battery is charged and discharged during normal use, the Drifter unit will learn the battery capacity of the new battery.

CAPACITY LEARNING

This procedure should only be used when an existing battery has been replaced with a new battery.


The general method the Drifter uses to learn the battery capacity is to measure the Amp-hours required to flatten a fully charged battery. The detailed process we recommend is as follows:

1. Enter the Setup Mode and view the Battery Capacity parameter. It should be set to the manufacturer’s rated capacity for that battery, e.g. 100 Ah
2. Dis-connect all power to the Drifter for 5 seconds and then re-connect.
This allows for the Drifter to reset all counters for the new battery capacity therefore learning the battery faster.
3. Charge the battery until the State of Charge reads 100%. Then further charge the battery for 24hrs.
4. Stop charging the battery. i.e. remove the 240V power.
5. Switch on loads (e.g. lights, TV etc.) until the battery is being discharged at 10% – 20% capacity rate.

e.g. If you have a 100 Ah battery, 10% of 100 is 10, 20% of 100 is 20.
So, adjust the loads until the battery current  reads between 10A and 20A.

Note: When discharged at the 20% rate, the discharge time will be approximately 5 hours.
At the 10% rate, the discharge time will be approximately 10 hours.

6. Wait until the battery voltage reaches 10.5 V.
If you are using the Drifter with a Setec power supply, this will not damage the battery. These power supplies have a low voltage disconnect which protects the battery from discharging to a damaging level. With these products the flat battery state will be indicated by the battery current dropping to zero and there being no power to lights etc.

If using a power supply without a low voltage cutout, you must monitor the battery voltage  and, when it reaches 10.5 V, turn off the loads.

When the loads are turned off, or when the low-voltage disconnect has been activated, the battery voltage will increase slightly—this is normal.

7. Repeat steps 2 to 5 once or twice more.
8. The capacity-learning process is now complete.

The above process allows the Drifter to figure out what full and empty is and calculate the actual capacity of the battery fitted. If for any reason step 6 is not done, steps 1 to 5 MUST be done to get a reasonable state of charge reading.

CONNECTORS

At the rear of the DRIFTER are two connectors. The connector type and pin functions are defined in Tables 2 and 3 below.

Connector: Phoenix Contact MCV1.5/5-G-3.5 or equivalent		
Pin	Signal	Description
1	+Vs	Battery-voltage positive sense line
2	+Ve PWR	+12V connection to power the DRIFTER
3	0V PWR	0V connection to power the DRIFTER
4	-Is	Battery-current sense resistor, negative connection
5	+Is	Battery-current sense resistor, positive connection

Table 2: 5-way Connector

Connector: Phoenix Contact MCV1.5/9-G-3.5 or equivalent		
Pin	Signal	Description
1	PUMP OUT	Positive connection of water pump
2	PUMP +12V	+12V supply for water pump
3	RB_B	Remote battery/load disconnect
4	RB_A	Remote battery/load disconnect
5	0V	Common 0V
6	T4	Tank-level sensor 4
7	T3	Tank-level sensor 3
8	T2	Tank-level sensor 2
9	T1	Tank-level sensor 1

Table 3: 9-way Connector

Note: The digit '1' is moulded into the rear of the Drifter case beside each connector, indicating the location of pin 1.

INSTALLING THE DRIFTER

PERSONNEL

Installation is to be carried out only by suitably qualified personnel.

INSTALLATION ENVIRONMENT

The Drifter should be located indoors where it will not be subject to water or other liquid spills or splashes.

In addition, for the temperature display to be usefully accurate, the Drifter should be located where it will not be subject to hot or cold drafts, e.g. above a kettle is an undesirable location from both a moisture and temperature perspective.

MOUNTING

The Drifter is supplied with a mounting bracket for attaching to the wall.

- › Mounting screws should not be proud of the bracket by more than 1.8mm in order to allow the Drifter to fit on the bracket.
- › The access hole to the wall cavity must be similarly sized to that in the bracket to provide clearance for the connectors at the back of the Drifter.
- › See Figure 1 for details.

When wiring is completed and the connectors are mated to the unit, fit the Drifter as detailed in Figure 2.

If it is ever necessary to remove the Drifter from its mounting bracket, follow the instructions in Figure 3.

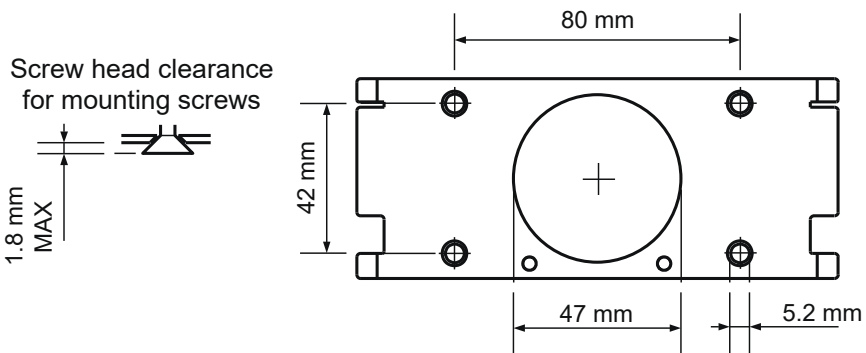
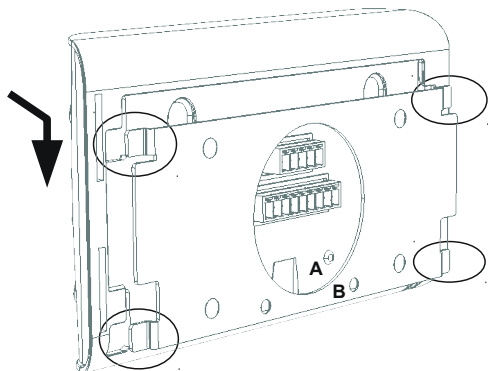
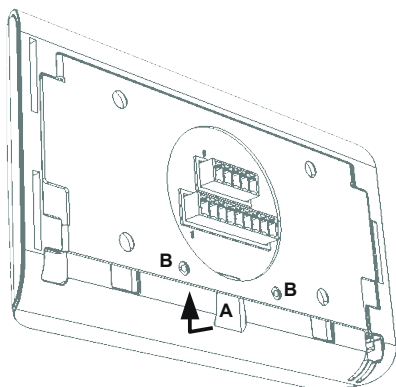


Figure 1: Mounting Bracket Details



Locate the Drifter over the four bracket tangs, then push down until dimple 'A' locks in hole 'B'.

Figure 2: Fitting Drifter onto mounting bracket



Insert flat-blade screwdriver into slot 'A'. Gently lever case away from bracket enough for dimples 'B' to clear locating holes. Then slide Drifter upwards.

Note: Some force may be needed to slide the Drifter upwards because it usually binds tightly on the four locating tangs.

Figure 3: Removing Drifter from mounting bracket

BATTERY SHUNT WIRING

Important: To keep track of the battery capacity, this product needs to be able to measure ALL current into and out of the battery.

This is achieved by connecting a current-sensing shunt between the battery negative terminal and all 0V connections. This connection arrangement is shown in Figure 4.

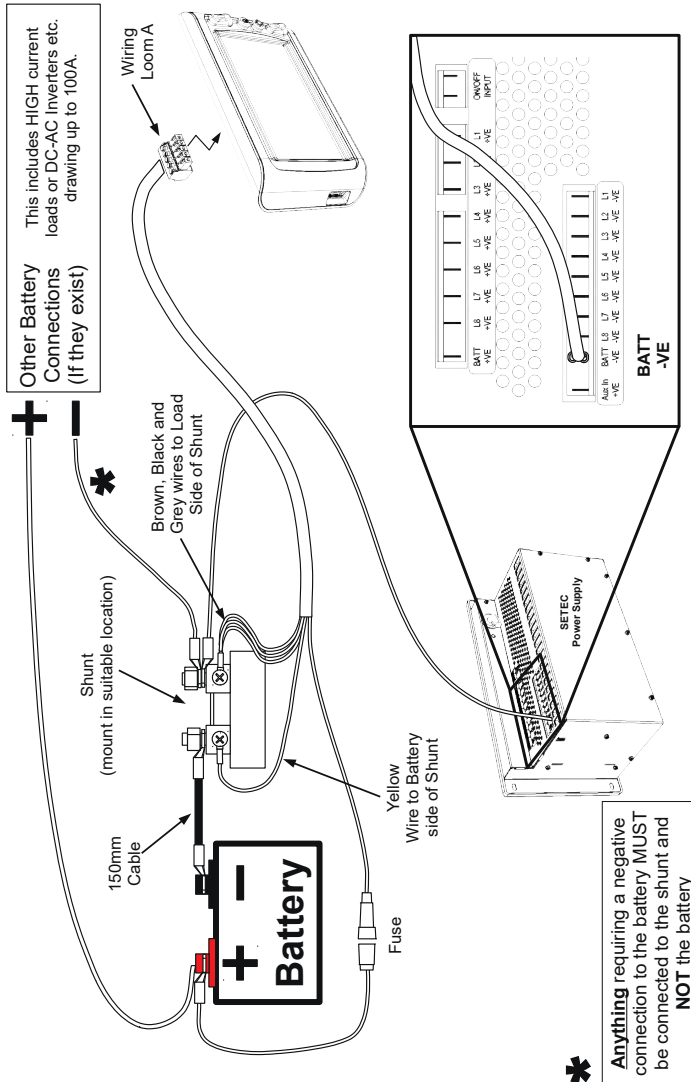


Figure 4: Battery Shunt Wiring

WATER TANK LEVEL WIRING

1. Empty the water from the tank(s)
2. Choose a suitable side of the tank where the level-sensing bungs can be located.
3. Drill the required holes as shown in Figure 5.
4. Fit the four bungs to the holes as detailed in Figure 6. Pay particular attention to which bung goes into which hole, matching the wire colours as shown in Figure 6.
5. Connect the pump and remote on/off switch as detailed in Error: Reference source not found (assuming Setec power supply is used). If used with other power supplies, connect according to Error: Reference source not found.
6. Connect the water-tank sensors as detailed in Error: Reference source not found.
7. Fill the tank(s) and check for water leaks around the bungs. Reseal as necessary.
8. Test operation of water level sensors, water pump switch, and remote on/off switch.

Drill Holes:

Ensure Water Tank is empty before proceeding.

Drill four (4) Ø10mm holes in Water Tank.

The bottom bung is to be located as close as practical to the bottom of the tank.

The Top bung is to be located at desired height for 'Tank Full' Indication, recommended height is $\frac{3}{4}$ full depth

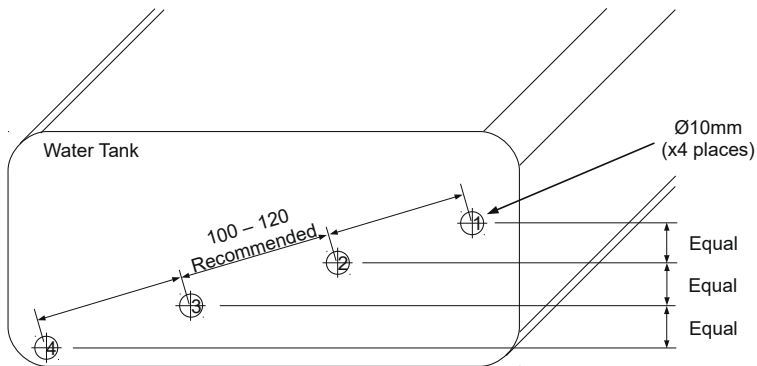


Figure 5

Insert Bungs:

Bungs MUST be assembled into the tank in the order shown otherwise the product will NOT function properly.

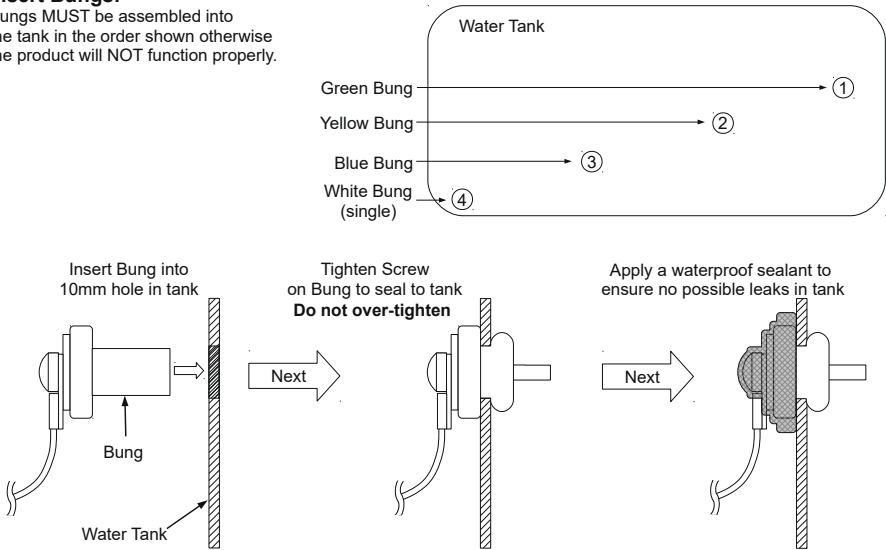


Figure 6

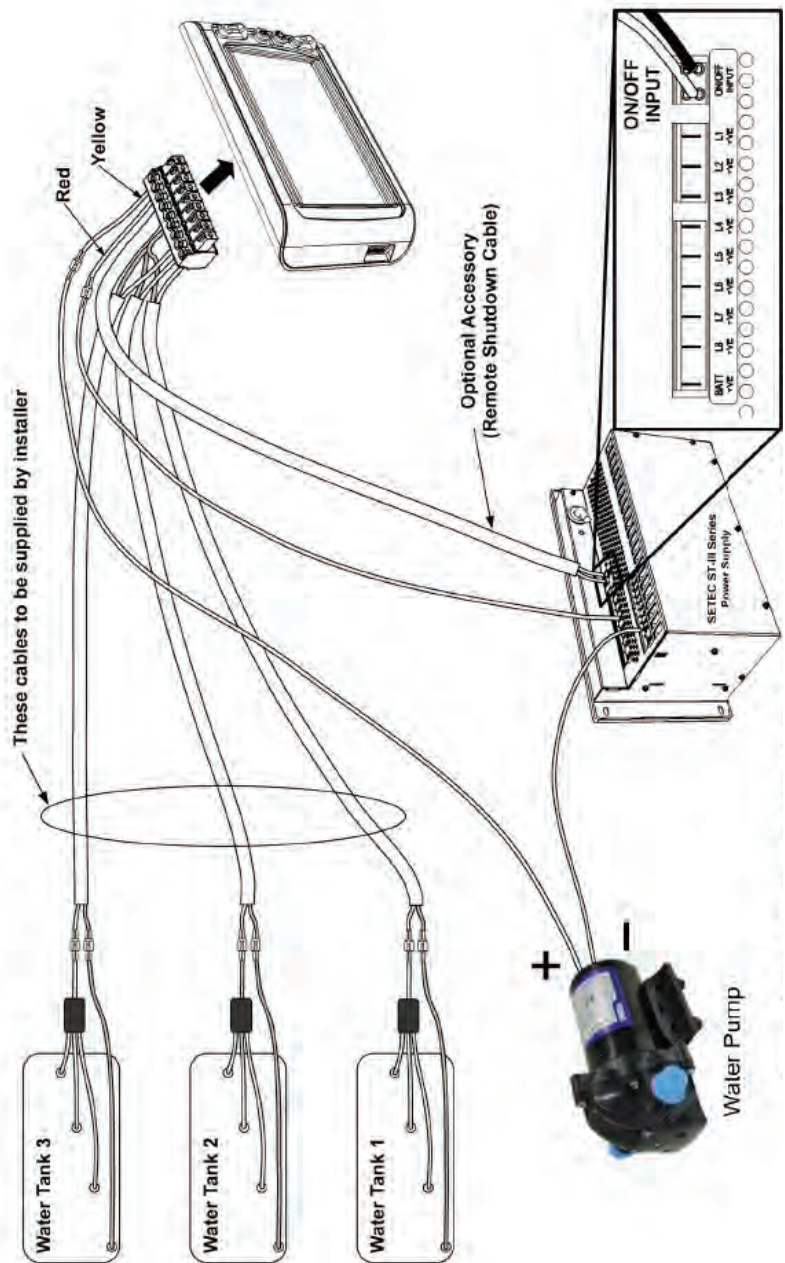


Figure 7: Tank, pump and remote switch connection for ST-III Series Power Supplies

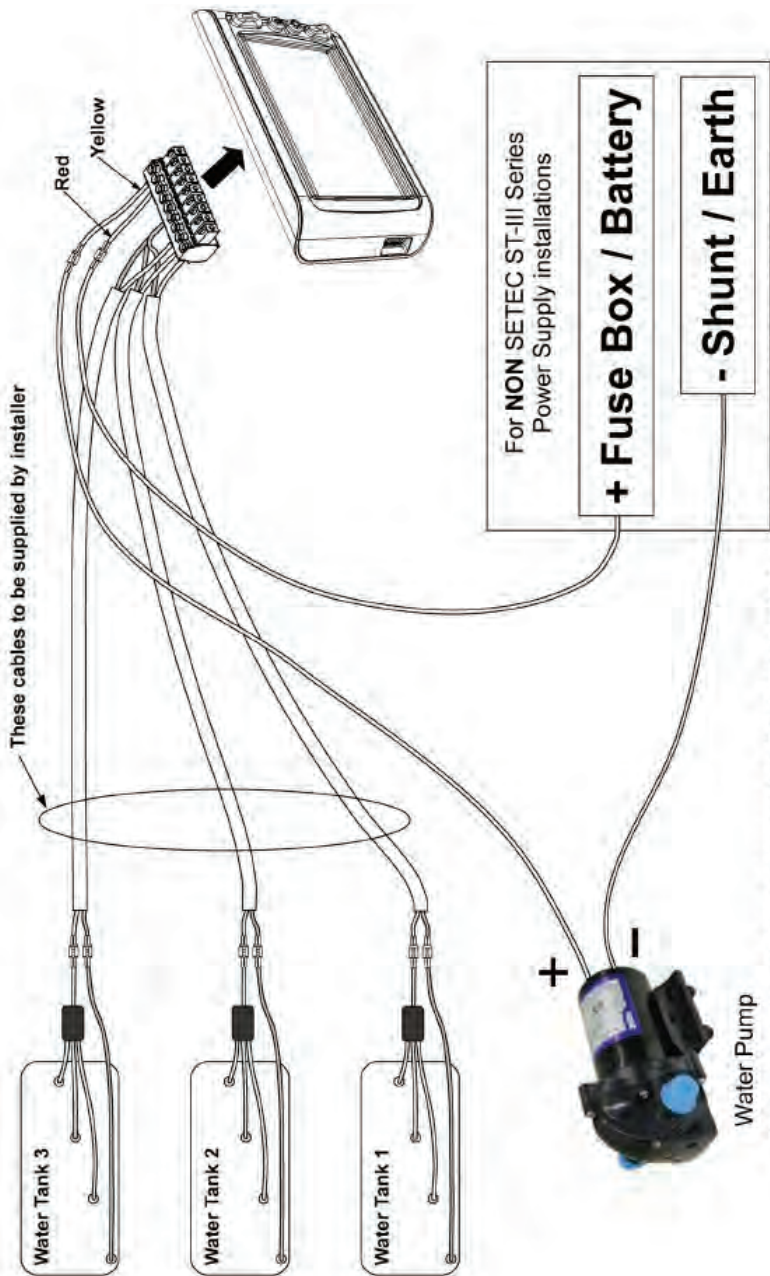
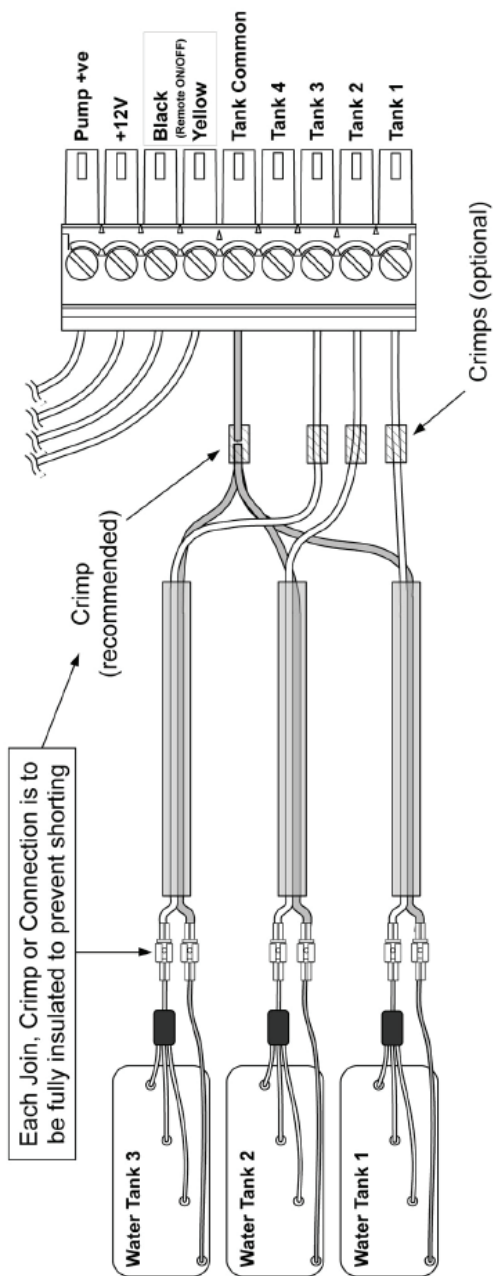


Figure 8: Tank and pump connection (for NON-SETEC ST-III Power Supply based installation)



Wiring:

When connecting tank bung wires to the connector, either crimp to wires supplied in connector or remove them and insert wires directly into the connector.

Tank Common:

It is recommended that a crimp is used to join all three (3) common tank wires as they may not fit if inserted directly into the connector.

Figure 9: Tank Sensor Wiring

SERVICING

There are no internal user serviceable parts

SPECIFICATIONS

Specification	
Input Voltage	8 – 15 Vdc
Battery Drain	< 3 mA (backlight off, no USB-attached device)
USB Output	0.9 A max, charger only
Ambient Temperature	0 °C – 50 °C
Size	149 Wide x 85 High x 22 Deep

AFTER-SALES SERVICE



WARNING

Do not disassemble, modify, or repair the unit.
Doing so may result in electric shocks or fire.

REPAIRS AND AFTER-SALES SERVICE

Consult your Setec or BM PRO dealer.

WARRANTY TERMS AND CONDITIONS

Registering your BM PRO product is an important step to ensure that you receive all of the benefits you are entitled to. Please visit www.teambmpro.com to complete the online registration form for your new product today.

1. BM PRO goods come with guarantees that cannot be excluded under Australian Consumer Law. You are entitled to a replacement or refund for major failure and for compensation for any reasonably foreseeable loss or damage. You are entitled to have the goods repaired or replaced if the goods fail to be of acceptable quality and the failure does not amount to a major failure. The benefits under this Warranty are in addition to your other rights and remedies under a law in relation to the goods to which this Warranty relates (the Australian Consumer Law).

2. Setec, as the manufacturer of BM PRO goods warrants products against defects for a period of two years, commencing from the original date of purchase. Proof of purchase is required before you can make a claim under this warranty.

3. HOW TO PROTECT YOUR RIGHTS UNDER THIS WARRANTY: The DRIFTER is designed to be installed by a suitably qualified installer. You or your installer should carefully inspect the product before installation for any visible manufacturing defects. We accept no responsibility in addition to our consumer guarantee obligations where a product has been installed incorrectly.

4. This warranty does not extend to product failures or defects caused by, or associated with, but not limited to; failure to install or maintain correctly, unsuitable physical or operating environment, accident, acts of God, hazard, misuse, unauthorised repair, modification or alteration, natural disaster, corrosive environment, insect or vermin infestation and failure to comply with any additional instructions supplied with the product.

5. Setec may seek reimbursement of any costs incurred by them when a product is found to be in proper working order or damaged as a result of one or more of the warranty exclusions mentioned in point 4 of this statement.

6. To enquire or make a claim under this warranty, please follow these steps:

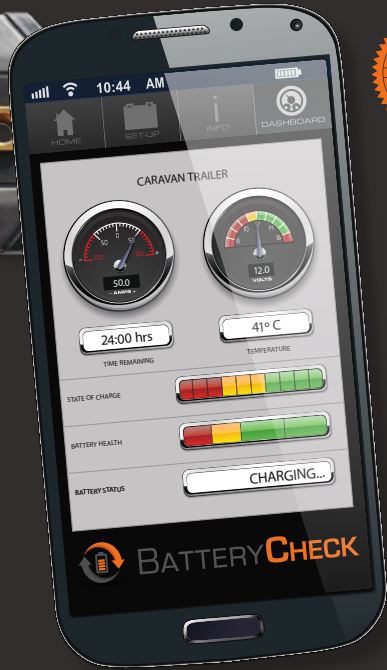
- a. Prior to returning a BM PRO product, please contact Setec on +61 3 9763 0962 to obtain a Return Material Authorisation (RMA) number
- b. Package and send the product to: BM PRO Warranty Department,
19 Henderson Road, Knoxfield, VIC 3180.
Please mark RMA details on the outside of the packaging
- c. Please ensure the package also includes: a copy of the proof of purchase, a detailed description of the fault and your contact details including phone number and return address

7. Setec will not be liable for any costs, charges or expenses incurred in the process of returning a product in order to initiate a warranty claim

Manual Part #??????



THE BM PRO BATTERYCHECK



The BatteryCheck is an easy to install device that sets a new standard in battery management systems. This innovative product connects to your deep cycle battery and communicates wirelessly with smart phones. The BatteryCheck provides real time battery management data that allows you to effectively manage remaining battery energy via a simple to use app.

Key features

- > Communicates via Bluetooth with smart phones
- > Free downloadable app via Google Play and App Store
- > Instant real time data - view information including volts and amps, time remaining, temperature, battery status, state of charge and battery health
- > Easy installation – no mechanical expertise required
- > Works with multiple batteries when in parallel (7Ah-800Ah Battery Bank)
- > Internal shunt capacity - 80 amps continuous
- > Set automatic alarm warnings via app
- > Compatible with any deep cycle 12 or 24V Lead Acid, AGM and Gel 7Ah-800Ah battery

**A WORLD FIRST, INNOVATION
PATENTED PRODUCT SHOWCASING
THE LATEST TECHNOLOGY IN
WIRELESS BATTERY MANAGEMENT**



BM PRO - 19 Henderson Road, Knoxfield 3180, Victoria, Australia
Phone +61 3 9763 0962 | Fax +61 3 9763 8789
Email sales@teambmpo.com | Web www.teambmpo.com

SWITCH OFF. POWER UP.