

### READ ME !

Thank you for purchasing a Front Runner Land Rover Defender 110 TDI / TD5 2.8 / V8 Water Tank 36L.  
Before you start, take a moment to familiarize yourself with the Fitting Instructions and the components received.  
Refer to Page 2 for a list of all the components, quantities and tools required.

### IMPORTANT WARNING!

IT IS CRITICAL THAT ALL FRONT RUNNER PRODUCTS BE PROPERLY AND SECURELY ASSEMBLED AND ATTACHED TO YOUR VEHICLE. IMPROPER ATTACHMENT COULD RESULT IN AN AUTOMOBILE ACCIDENT, AND COULD CAUSE SERIOUS BODILY INJURY OR DEATH. YOU ARE RESPONSIBLE FOR ASSEMBLING AND SECURING ALL FRONT RUNNER PRODUCTS TO YOUR VEHICLE, CHECKING THE ATTACHMENTS PRIOR TO USE, AND PERIODICALLY INSPECTING THE PRODUCTS FOR ADJUSTMENT, WEAR AND DAMAGE. THEREFORE, YOU MUST READ AND UNDERSTAND ALL OF THE INSTRUCTIONS AND PRECAUTIONS SUPPLIED WITH YOUR FRONT RUNNER PRODUCT PRIOR TO INSTALLATION OR USE. IF YOU DO NOT UNDERSTAND ALL OF THE INSTRUCTIONS AND CAUTIONS, OR IF YOU HAVE NO MECHANICAL EXPERIENCE AND ARE NOT THOROUGHLY FAMILIAR WITH THE INSTALLATION PROCEDURES, YOU SHOULD HAVE THE PRODUCT INSTALLED BY A PROFESSIONAL INSTALLER OR OTHER QUALIFIED PERSONNEL.

**NOTE:** Front Runner will not be responsible for any damage caused by the failure to install the product according to these instructions.  
Please call us if you have any questions about the installation of this product.

# 1

## GET ORGANIZED

### IN THE BOX

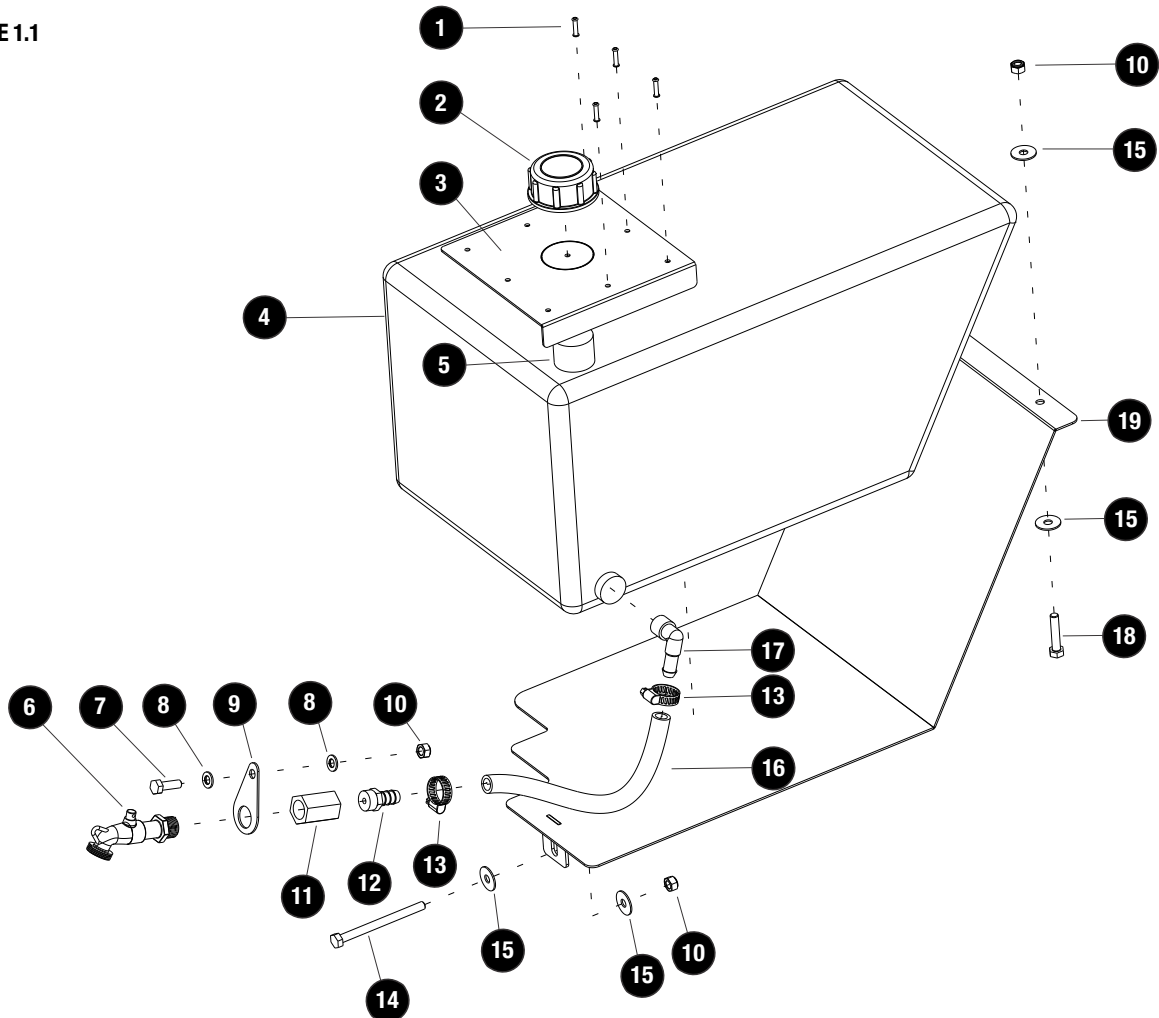
1	8 X	Pop Rivet 4 x 18
2	1 X	Filler Cap
3	1 X	Filler Cap Bracket
4	1 X	Water Tank 36L
5	1 X	Male to Male Coupler
6	1 X	15mm Locking Tap
7	1 X	M8 x 25 Hex Bolt
8	2 X	M8 x 16 x 1SS Flat Washer
9	1 X	Hose Support Plate
10	4 X	M8 Nyloc Nut
11	1 X	1/2 Inch Female Coupler
12	1 X	12MM x 1/2 Inch Male Barbed Fitting
13	1 X	16 - 25MM Hose Clamp
14	1 X	M8 x 100 Hex Bolt
15	6 X	M8 x 25 x 2 Flat Washer
16	1 X	12MM Clear Hose 550MM Long
17	1 X	12MM x 1/2 Inch Male 90 Adapter
18	2 X	M8 x 40 Hex Bolt
19	1 X	Tank Gaurd

### TOOLS NEEDED



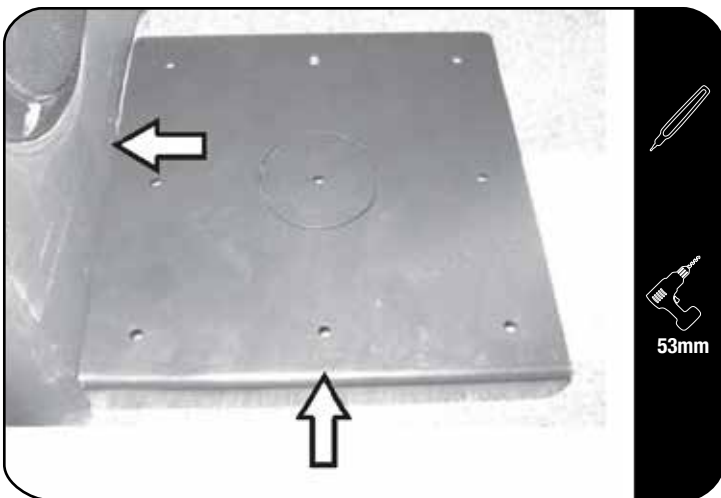
Thread Tape

FIGURE 1.1



**2****FIT AND SECURE**

2.1

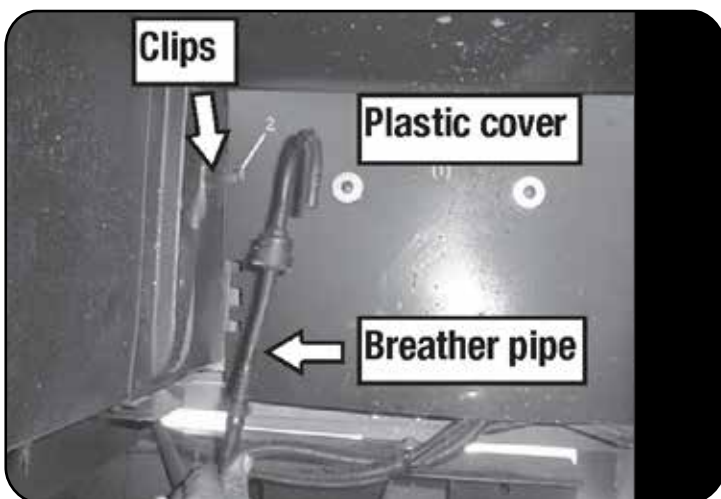


Place the Filler Cap Bracket (Item 3) into the rear left hand corner of the vehicle, with the bent lip facing down and up against the "Raised Box" section.

Mark the hole in the centre of the plate onto the vehicle a drill a 53mm hole using a hole saw and drill machine.

Press out the inner circle from the Filler Cap Bracket (Item 3).

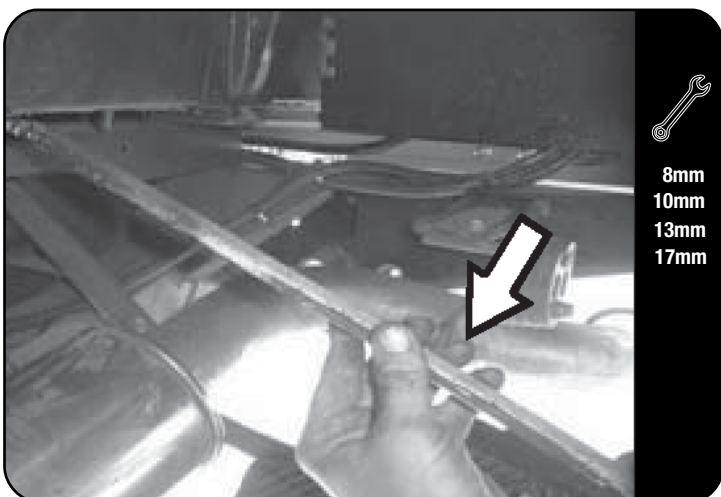
2.2



Remove the left rear wheel. In the wheel arch you will see the fuel tank and breather pipe.

Unclip the breather pipe and push it behind the rear plastic cover. Remove the breather pipe clips.

2.3

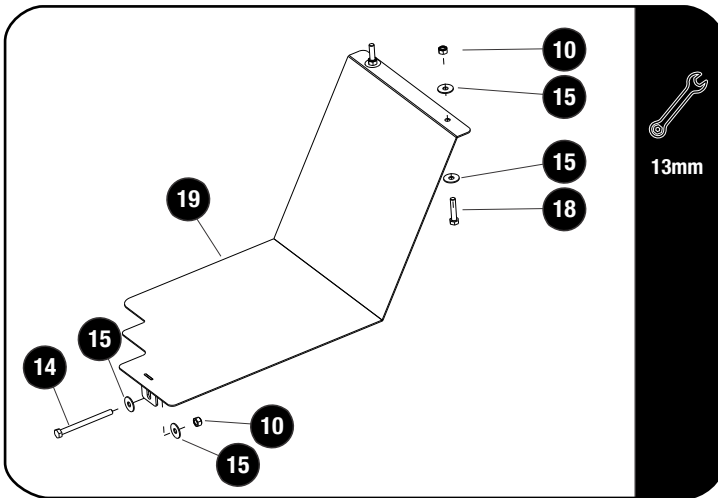


Remove the Fender Stabiliser Arm as shown in 2.3. Loosen the Mud Flap Arm situated under the exhaust pipe.

2

**FIT AND SECURE**

2.4



Place the Tank (Item 4) and Tank Gaurd (Item 19) into position, lining up the inlet of the tank with the hole drilled in 2.1.

Mark the position of the two mounting holes in the Tank Gaurd (Item 19) onto the vehicle and drill a 5.5mm pilot hole and finish off with a 9mm hole.

Fasten the front of the Tank (Item 4) using two M8 x 40 Hex Bolts, four M8 x 25 x 2 Flat Washers and two M8 Nyloc Nuts (Item 18, 15 & 10).

Fasten the rear using a M8 x 100 hex Bolt, two M8 x 25 x 2 Flat Washers and a M8 Nyloc Nut (Item 14, 18 & 10).

Tighten all fittings. Refit Mud Flap Arm. Do not refit Fender Stabaliser Arm.

2.5

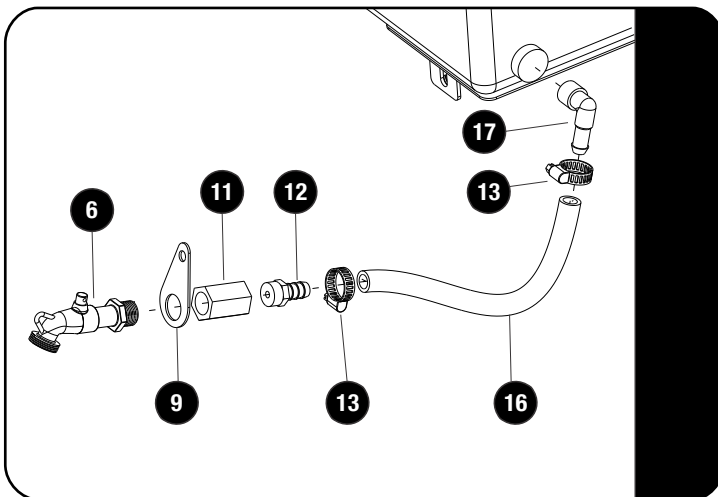


Using the Male to Male Coupler (Item 5), screw it into the tank. Place the Filler Cap (Item 2) onto the Male to Male Coupler and fully tighten. Make sure all componets are centerlized.

Using a 5mm drill bit, drill the eight holes in the Filler Cap bracket (Item 3). Make sure not to drill to deep as you will drill into the tank.

Using a pop rivet gun, rivet eight Pop Rivets (Item 1) to the Filler Cap Bracket (Item 3).

2.6



Wrap threaded tape around the thread of the 90 degree male adaptor and barbed fitting (Item 17 & 12). Screw the 90 degree male adaptor (Item 17) into the water tank outlet, make sure it faces downwards. Place one end of the clear pipe (Item 16) over the 90 degree male adaptor and secure with hose clamp (Item 13).

Place a hose clamp (Item 13) on the other end of the pipe and insert the barbed fitting (Item 12) into the clear pipe. Secure the hose clamp (Item 13).

Screw the female 1/2 inch coupler (Item 11) into the barbed fitting and place the Locking Tap with threaded tape (Item 6) through the hose support bracket (Item 9) and screw in.

## 2 FIT AND SECURE

2.7



Run the tap assembly towards the rear left of the bumper. Secure the locking tap to the bumper. Using a M8 x 25 Hex Bolt, two M8 Flat Washers, and a M8 Nyloc Nut (Item 7, 8 & 10).

## 3 FINISH

Congratulations! You did it. Take a step back and admire your work!

## 4 INSTALL OTHER VEHICLE AND RACK ACCESSORIES

Now's the time to visit your favorite Front Runner Dealer in person or online.

Be sure to tag us. We love to see our gear in action! #FrontRunnerOutfitters #BornToRoam

Share your adventures on: 