

# ENGLAON

androidtv

## LED TV



## User's Manual







Please read this manual carefully for proper usage before installation and use. It is recommended to keep this manual properly for future check. The pictures in this manual are only for reference.

## Contents

<b>Safety Warning and Notice</b> .....	<b>1</b>
<b>Mounting and Connecting</b> .....	<b>3</b>
Packing list.....	3
Mounting the TV set.....	3
Connecting peripheral equipment.....	4
<b>Panel Control Keys</b> .....	<b>5</b>
<b>Remote Control</b> .....	<b>6</b>
<b>Basic Operations</b> .....	<b>7</b>
Turning on/Standby.....	7
Signal source selection.....	7
Menu operation description.....	7
Channel scanning.....	8
REC option.....	8
Time Shift option.....	8
<b>Instructions for quick start</b> .....	<b>8</b>
Basic Operations.....	8
Quick Start.....	8
Smart Applications.....	9
Network Settings.....	9
Bluetooth Setting.....	9
<b>Recommendations</b> .....	<b>10</b>
<b>Important Statement on Network Services</b> .....	<b>10</b>
<b>Troubleshooting</b> .....	<b>10</b>
<b>Technical Specifications</b> .....	<b>11</b>
<b>Base Installation Instructions</b> .....	<b>12</b>
<b>Use of a TV wall mounting</b> .....	<b>13</b>

## Safety Warning and Notice

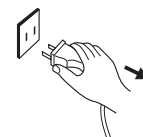
Thanks for choosing the high-performance and multifunctional intelligent LED TV produced by our company. This precious thing will bring you better audiovisual enjoyment. The design of this product has given consideration to factors affecting personal safety, and the product itself has gone through strict tests prior to delivery. However, improper operation may result in electric shock and fire disaster. To ensure safety, prolong the service life of this product, and make sure the best performance of this product can be given full play to, please read the manual and marking label carefully before using it and comply with the following safety instructions. Please keep the user manual for later use.

	<b>Warning</b>	May result in casualties
	Indicate the behaviors that must be prohibited	
	<b>Attention</b>	May result in personal injury or property losses
	Indicate the operations that must be performed	

### Under Following Conditions


- Power failure or unstable voltage.
- Abnormal sound or smell from the device.
- AC power cord is damaged.
- TV set is damaged due to falling off, knock or impact.
- Any liquid or foreign matters enter into the TV set.

**Turn off the TV set immediately, unplug the power cord from the power outlet, and contact authorized maintenance personnel.**






- **If coal gas or other flammable gases leak, do not unplug the power cord of the TV set or other electric appliances; instead, close the valve of the gas immediately and open the doors and windows.**

 **Warning**

-  ● Use 12V $\Rightarrow$ 3A, or 100-240V~50/60Hz power supply.
- All cables can be connected or pull out only after power supply is turned off.
- Do not fix the TV set on instable position, or else it may cause falling off, damage, or even fire.
- Do not put the TV set in the environment:
  1. With direct sunshine, moisture, overheating, undercooling or heavy dust;
  2. With flammable or explosive substance;
  3. With flammable or corrosive gas;
  4. In bathroom, kitchen, etc.
- Do not use damaged or improper power socket, and ensure that the plug and socket are connected properly.
- Keep the power plug and socket free of dust and metal pieces.
- Do not damage the power cord:
  1. It is prohibited to refit the power cord;
  2. Do not put heavy object on the power cord;
  3. Keep the power cord away from heat source;
  4. Do not drag the power cord when unplugging.
- Do not connect too many appliances to one power strip, or else it may cause fire due to high power consumption.
- Do not let open flame (e.g. lit candle) approach the TV set, or else it may cause electric shock or fire.
- Do not put the container filled with water on the TV set, to avoid electric shock or fire caused by water drop of splashing.
- Do not penetrate any sharp object, metal or liquid into the signal connector or air vents, to avoid short circuit and product damage as well as electric shock.
- The slots on the case is designed to release heat so as to assure that all inside components will not reach an extra high temperature and can work normally for a long time. Please do not cover the holes while place it.

 **Warning**

-  ● Do not touch the plug with wet hands, or else it may cause electric shock.
-  ● Do not turn on the TV set in thunderstorm weather; instead, unplug the power plug and antenna connector to avoid lightning strike.
-  ● Do not disassemble the TV set by yourself, or else it may cause electric shock or fire. Contact qualified personnel for maintenance.

 **Attention**

- Do not let children climb onto the TV set.
- Keep the small accessories away from children's reach to avoid swallowing.
- If the TV set won't be used for a long time, please turn off the device and unplug the power cord.
- Before cleaning the TV set, unplug the power cord and wipe with soft cloth; do not use chemical reagents and avoid foreign substances entering into the device. The incorrect cleaning (such as cleaning fluid, water, etc) may lead to damage of product's appearance, erasing products printing information, even flow into the machine and damage components, cause machine can not display.
- To adjust the position or angle of the TV set, please disconnect all wires and move slowly to avoid falling off.
- Do not rub with hard object, knock at, bend or squeeze the screen.
- Do not use machine immediately after transferring machine to the places with high temperature from low temperature, which will cause fogging inside machine and failures.
- If the screen is broken and the liquid splashes on skin, please wash with clean water immediately for 15 minutes, and go to see your doctor.
- To carry the TV set with hands, please grasp the corners and hold the bottom; do not apply force on the panel.



### Attention

- **Displaying the same image for a long time or active image with fixed words, icons will leave "image persistence" on screen which will not disappear after powering off for a long time. This undesirable phenomenon is not covered by warranty.**
- **Healthy TV watching:**
  1. **Watch in appropriate light; poor light or long time watching may hurt your eyes.**
  2. **Adjust the volume appropriate to avoid hurting your hearing.**
- **Unplug the power cord of the device to cut off the power supply.**
- **If a power plug or appliance coupler is used as disconnecting device, it should ensure easy operation.**
- **Power plug shall be connected reliably. Loose power plugs may cause sparkle and fire.**
- **All the technical specifications in the user's manual and on the packaging are subject to changes without prior notice. If there is slight deviation between the user's manual and actual operation, the latter shall prevail.**

Google, Google Play, Android TV, Chromecast built-in and other marks are trademarks of Google LLC.

Google Assistant is not available in certain languages and countries. Availability of services varies by country and language.



The terms HDMI, HDMI High-Definition Multimedia Interface, HDMI trade dress and the HDMI Logos are trademarks or registered trademarks of HDMI Licensing Administrator, Inc.



Manufactured under license from Dolby Laboratories. Dolby, Dolby Audio, and the double-D symbol are registered trademarks of Dolby Laboratories Licensing Corporation.

## Mounting and Connecting

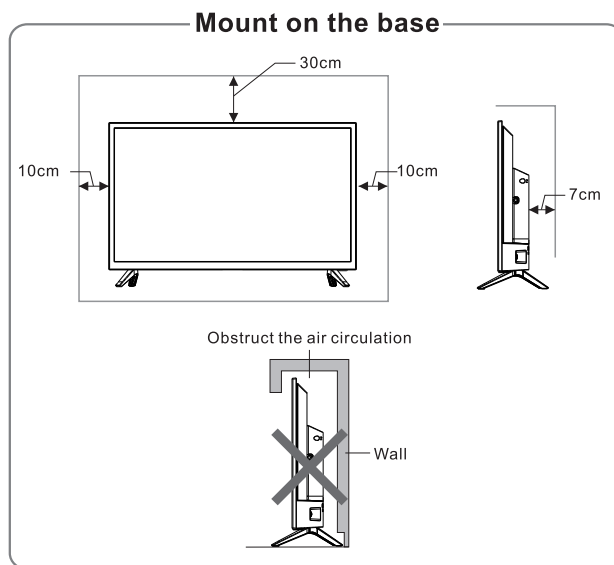
### Packing list

1. The TV set.
2. User Manual.
3. Remote control.
4. Power cord (or attached to TV set).

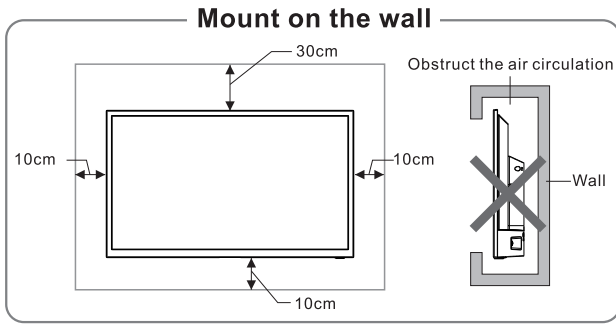
### Mounting the TV set

#### Tips on Installation

- The TV set should be mounted near the AC power socket for easy plugging and unplugging.
- For your safety, please select appropriate wall mount bracket or base.
- To avoid hurt, it is required to place the TV set on stable plane, or fix on firm wall.
- Ask qualified personnel to mount the TV set on the wall. Improper mounting may result in instable TV set.
- Do not place the TV set at any place susceptible to mechanical vibration.
- Do not place the TV set at any place that insects may enter.
- Do not mount the TV set against air conditioner, or else the internal panel of the display may condense moisture and cause failure.
- Do not place the TV set at any place with strong magnetic field, or else it may be interfered with and damaged by electromagnetic wave.







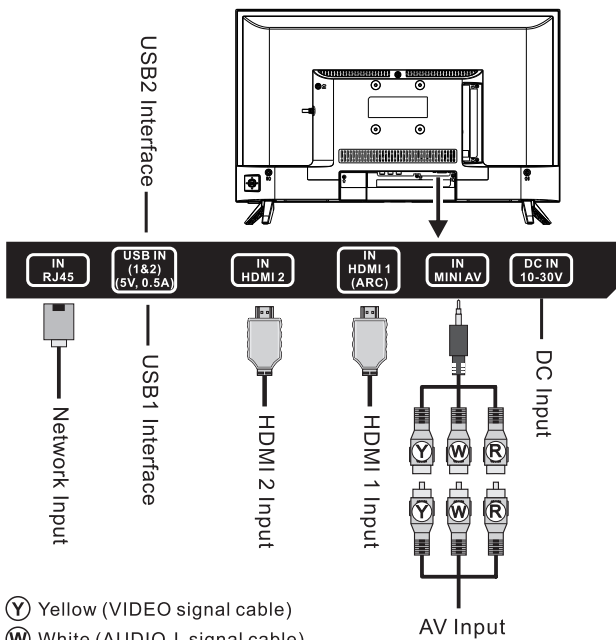
### Ventilation

- Please keep this space at least around the TV, as shown in the figure.
- Do not cover the air vents or insert any object into the enclosure.
- Do not put the device in limited space, e.g. bookcase or embedded closet, unless the TV set is properly ventilated.

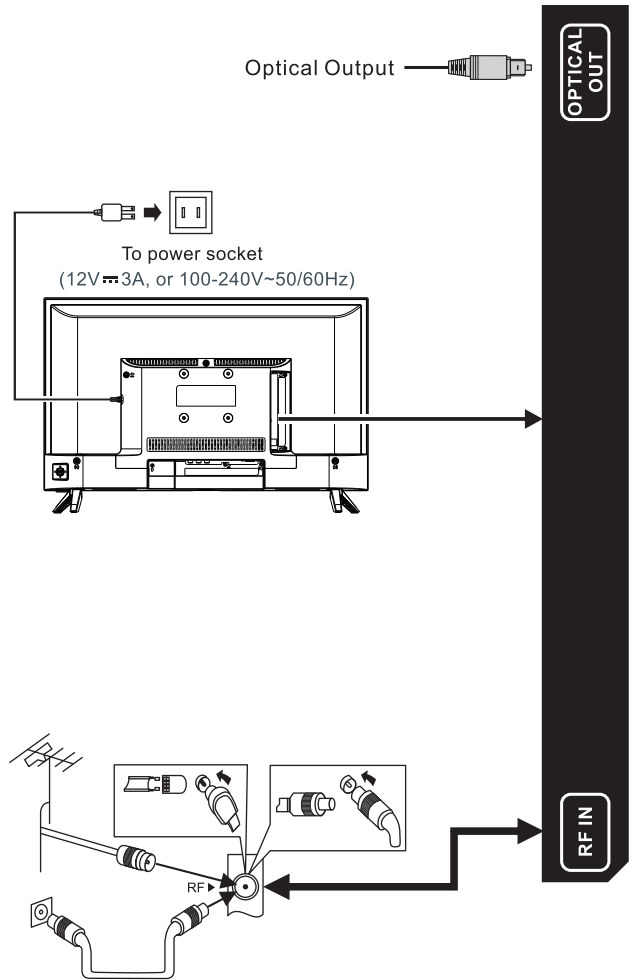
### Connecting peripheral equipment

#### Remark:

1. When you need to connect the device which support the ARC function, please select the HDMI-1 interface.
2. HDMI connector can realize DVI connector function with external HDMI/DVI commutator.
3. The peripheral equipment and cables described in this manual should be purchased separately.



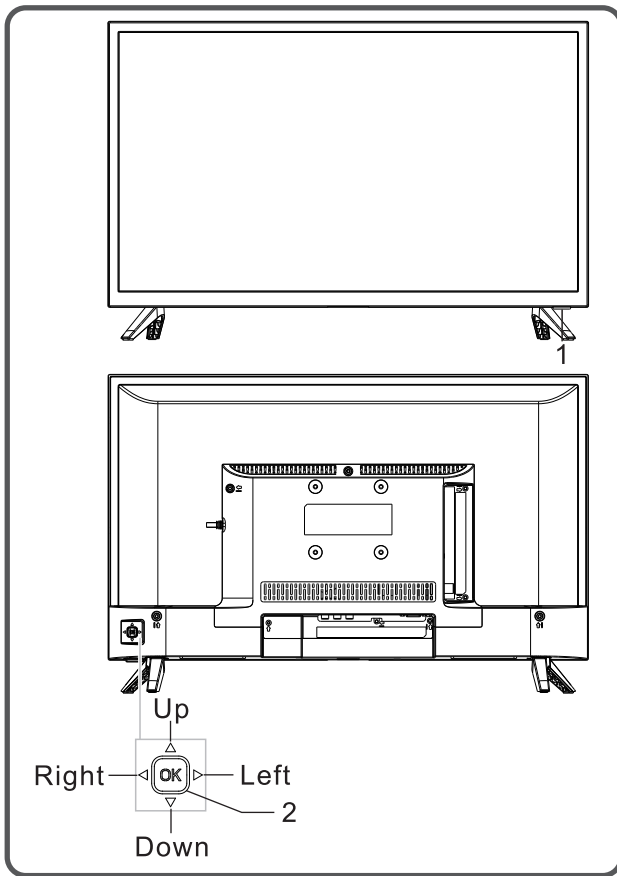
- Ⓨ Yellow (VIDEO signal cable)
- Ⓦ White (AUDIO-L signal cable)
- Ⓡ Red (AUDIO-R signal cable)



### Warning

When connecting outdoor antenna to signal port of the TV set, please turn off the main power switch of the TV set first. Do not approach the outdoor antenna to high voltage mains power line to avoid electric shock. The wired network antenna connected to this TV set must be isolated from the protective grounding, or else it will cause fire or other hazards.

## Panel Control Keys



1. Power LED indicator and remote receiving window.

2. **OK** rocker:

Power on or switch to standby mode with **OK** rocker:

- ①. After plugging power cord into the electrical socket, you can press **OK** rocker to turn on the TV.
- ②. In power on state, long press **OK** rocker to switch to standby mode.

After turning on the TV, Press **OK** rocker:

- ①. In non-OSD menu, press **OK** rocker to display the menu.
- ②. In OSD menu and smart mode, press **OK** rocker to confirm the operation.

Move rocker **Up/Down/Left/Right**:

- ①. In TV mode, move rocker **Up/Down** to select the channel.
- ②. In smart mode, move rocker **Up/Down** to select item.
- ③. In non-OSD menu, move rocker **Left/Right** to decrease/increase the volume.
- ④. In OSD menu, move rocker **Up/Down/Left/Right** to do menu operation.

**Remark:**

- ①. *The appearance varies depending on the model, and the actual product shall prevail.*
- ②. *Please use the remote control for more operation.*

## Remote Control

### Method for Installation of Remote Control Battery

Remove the battery compartment cover and insert two AAA (No. 7, 1.5V) batteries; make sure the polarity of the batteries is in compliance with the polarity mark "+" and "-" in the battery compartment of the remote control.

### Precautions for using the remote control

- The remote control should be pointed at the remote control sensor during operation. An object placed between the remote control and the remote control sensor may impede normal operation.
- The remote control should be prevented from strenuous vibration. Besides, please do not set or place the remote control under direct sunshine, as heating power may result in deformation of the remote control.
- Remote control failure may occur when the remote control sensor of the main unit is under direct sunshine or strong lighting; in this case, please change the angle of lighting or this TV set, or operate the remote control near the remote control sensor.
- Low battery will influence the remote control distance, in which case, the battery should be replaced with a new one. If the remote control is going to be idle for a long time or the battery runs out, please take the battery out to prevent the remote control from being corroded by battery leakage which may result in damage and failure of the remote control.
- Please do not use batteries of different types. It is not allowed to use old and new batteries together; the batteries should be replaced in pair.
- Please do not throw the batteries into fire or charge or decompose the batteries; do not charge, short-circuit, disassemble/assemble, heat or burn used batteries. Please dispose the waste batteries pursuant to relevant regulations on environmental protection.

### Bluetooth voice remote control operation manual

#### Bluetooth Pairing

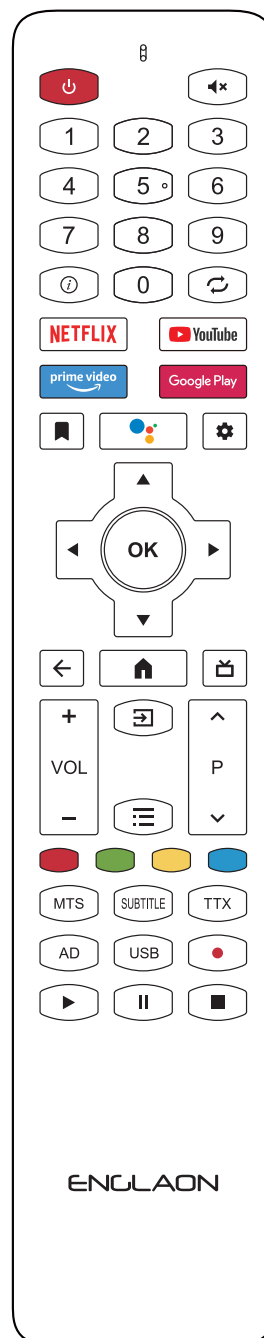
If the Bluetooth of remote control is not paired, press the Google Assistant key, then long press [VOL-] + [←] keys to pair. When the TV show the device, select it and press [OK] key to finish.

#### Note:

1. Some models may not be supported.
2. Your Location must correspond to the language for exact search results. Some functions may not

be available if your location settings and language settings are different.

3. You can change the language according to language input settings. The languages available for voice recognition features may be changed in accordance with service operation policy.
4. Details of service may vary by model.
5. Before you use voice recognition, you should make sure remote control paired.



## Keys of the Remote Control

**Note:** The appearance of the remote control may be different from this diagram; please refer to the real object as standard.

Keys	Function
Power (⏻)	Switch between working and standby status.
Mute (🔇)	Turn on/off the sound.
Number keys	Select the channel or input numbers.
ⓘ	Show information bar.
↶	Return to the previous channel
NETFLIX	Open application.
YouTube	Open application.
prime video	Open application.
Google Play	Open application.
🔖	Bookmark launch's recommended videos.
🗣️	Turn on Bluetooth remote control pairing or press to talk to Google to control your TV using your voice.
Setup (⚙️)	Open setting menu.
◀, ▶, ▲, ▼	Select items or adjust values.
OK	In TV mode, open channel list. In OSD menu operation, confirm the operation.
Back (←)	Return to previous menu interface.
Home (🏠)	Show home page.
📺	Electronic program guide.
VOL+/-	Turn up/down the volume.
Source (📶)	Show signal source menu.
Menu (☰)	Show OSD menu. (Non-smart mode.)
CH+/- (⤴ P ⤵)	Change channel.
Red key	Special function keys.
Green key	
Yellow key	
Blue key	
MTS	ATV: select NICAM mode; DTV: select audio language.
SUBTITLE	Open subtitle language menu.
TTX	Open / Close teletext.
AD	Open the associated audio menu.
USB	Open USB storage device.
Record (●)	Start to record current program.
▶ (play)	Play.
⏸	Time shift key. (Pause)
■	Stop.

## Basic Operations

### Remark:

1. The keys operation here refers to remote control operation, as for panel control keys operation, please refer to "**Panel Control Keys**".
2. The [▶] key means direction key and the [▶](play) key means play function key
3. Menu Operation Instruction in this manual explains the operation under TV mode, which could also be the reference to other modes.
4. Before powering on platform, please make sure that the power supply is stable.
5. The software of different countries is different. The specific software operation should be subject to the actual situation.
6. Because the product is constantly updated, the software is upgraded at any time, if the software operation is different from the actual operation, please refer to the actual product.

## Turning on/Standby

Plug power cord into the electrical socket, then press [⏻] key to turn on the TV. When it is the first time to turn on the TV, the Initialization Settings interface appears, please set it as needed.

In power on state, press [⏻] key to switch to standby mode.

## Signal source selection

You can connect various devices to the TV set and view high quality images. If the video device has HDMI, Composite and other video output ports. You can select one of them and connect to corresponding input ports of the TV set. After connection, turn on the device and press [📶] key, then menu of signal source will be displayed on the screen. Press the [▲]/[▼] key to select the input signal, and press [OK] key to confirm .

## Menu operation description

Press [☰] key to show the main menu on the screen:

1. Press [▲]/[▼] key to select a menu from **Channels, TV options, Record**.
2. Press [◀]/[▶] key to select an item in the menu.
3. Press [OK] key to enter the submenu.
4. Press [▲]/[▼] key to adjust the value or setting.

- When the main menu is shown on the screen, press [≡] key to exit the main menu; Press [←] key to return to previous menu when the TV display the submenu.
- During menu operation, the icons of invalid options are gray.

## Channel scanning

Scan the channels before watching the TV for the first time. Before scanning, please make sure that the antenna has been connected properly.

### Antenna

Press [≡] key, and select **Antenna**. Press [≡] key, and press [▲]/[▼]/[◀]/[▶] key to select **Channel > Channels**, then press [OK] key to enter.

- Select **Channel Scan**, then press [OK] key to start auto scanning.
- Select **Single RF Scan**. Press [◀]/[▶] key to set **RF Channel**, then press [OK] key to start manual scanning.

### Cable

Press [≡] key, and select **Cable**. Press [≡] key, and press [▲]/[▼]/[◀]/[▶] key to select **Channel > Channels**, then press [OK] key to enter.

- Select **Channel Scan > Others**, then press [OK] key. Set **Frequency(KHz)**, **Network ID**, **Scan Mode**, and select **Scan**, then press [OK] key to start scanning.
- Select **Single RF Scan**, then press [OK] key. Set **Frequency(KHz)**, and select **Scan**, then press [OK] key to start scanning.

### ATV

(Note: This function is optional, please refer to the actual product.)

Press [≡] key, and select **ATV**. Press [≡] key and press [▲]/[▼]/[◀]/[▶] key to select **Channel > Channels**, then press [OK] key to enter.

- Select **Channel Scan**, then press [OK] key to start auto scanning.
- Select **Analog Manual Scan**, and set **Start Frequency(MHz)**. Select **Scan Up** or **Scan Down**, then press [OK] key to start scanning.

## REC option

In DTV mode, press [●] key, then system begins recording right now. Press [■] key to stop and exit recording. Press [≡] key and select **Record > Record List**, then you can select the file you want to play, and press [OK] key to play it.

While playing, you can press [←] key to exit playing, or press [▶](play)/[II]/[■]/[OK] key to perform shortcut operation.

**Note:** Only the memorizer with FAT32 file system supports the recording function. Memorizer with other file systems need to be formatted; Before formatting memorizer, please back up useful data because the content of memorizer can not recover after formatting.

## Time Shift option

In DTV mode, press [≡] key, and select **Record > Time Shift Mode**, then press [OK] key to turn on the time shift function. Press [II] key to show Time Shift option menu on the screen and the program is in suspended state. Press [▶](play) key to resume playing the program. Press [■] key to stop and exit time-shift.

When user pauses program for a short time, time-shift function can suspend and cache the playing program to U disk. When user resumes playing, the program can continue to be played.

In the process of the time shift, press [▶](paly)/[II]/[■]/[OK] key to perform shortcut operation.

## Instructions for quick start

### Basic Operations

Press [▲] key to show the home page.

- Press [◀]/[▶] key to select an application;
- Press [OK] key to run the application;
- Press [←] key to return to previous page;
- Long press [▲] key to open all Apps.

### Quick Start

Before using this device, please get familiar with the operations below for better experience.

#### Language input setting

**Language:** In the smart mode, select the system language. Press [⚙] key, and select **Device Preferences > Language**, and press [OK] key. Press [▲]/[▼] key to select the desired language, and then press [OK] key.

**Selecting Input Method:** In the smart mode, press [⚙] key, and select **Device Preferences > Keyboard > Current keyboard**, and press [▲]/[▼] key to choose input method.

**Setting System Time:** In the smart mode, press [**⚙**] key, and select **Device Preferences > Date & Time > Automatic date & time**, then select **Use network-provided time**. You can also set the system time manually.

## Smart Applications

**Apps:** The **Apps** helps users manage applications, and allows users to install or uninstall apps in local disk.

Press [**🏠**] key, then press [**◀**]/[**▶**] key to select an application and press [**OK**] key to enter.

### ■ How to install an application?

Long press [**🏠**] key, and select **Get more apps**, then press [**OK**] key to enter, search apps you want and install them.

### ■ How to uninstall an application?

Long press [**🏠**] key, and select the app that you want to uninstall, long press [**OK**] key and select to uninstall it.

**MultiMediaPlayer:** Open **MultiMediaPlayer** app, and press [**OK**] key to enter and select **VIDEO**, **PHOTO**, **MUSIC** and **TEXT**.

**■ Playing Files in local disk device:** Before playing files in the local disk, insert the USB mass storage device into the USB interface.

Open **MultiMediaPlayer** app, and press [**OK**] key to enter. Select the target folder or file, press [**OK**] key to enter the folder or play the file, and press [**←**] key to return to the desktop.

### Attention:

1. Non-standard USB devices can't be recognized probably; in this case, please replace a standard USB device;
2. The stream media system has certain restriction on the format of files; the playing will be abnormal if it is out of the system restriction;
3. Do not remove the USB device while playing, or else the system or device may have problem; Before replacing the USB device, please turn off the machine's power supply;
4. The system supports standard USB1.1 and USB2.0 devices, such as USB mass storage devices and mobile hard disks;
5. The maximum output current of the USB port of this device is 500mA, and the self-protection will be enabled if it is beyond this limit; please use external power supply if an external device of higher current will be connected;

6. The system is complicated; when it is reading or playing files, the screen may be still or certain functions may be invalid due to the compatibility and stability of the USB device; in this case, please turn off the device and re-initialize the system.

Press [**☰**] key to display toolbar, While playing, select the menu option which you want, and press [**OK**] key to perform the operation; you can press [**←**] key to exit playing, or press [**▶**](play)/[**⏸**]/[**■**]/[**OK**] key on the remote control to perform shortcut operation.

## Network Settings

### Wi-Fi

1. In smart mode, select **Settings > Network & Internet > Wi-Fi**, and press [**OK**] key. Press [**▲**]/[**▼**] key to select **OK**, and press [**OK**] key, then the machine automatically searches for nearby wireless network signal. The network searched without **🔒** icon indicate that the machine can connect to the network without a password. The network with **🔒** icon indicate that it is encrypted and you must enter the correct password to connect to the network;
2. Select the desired network from the list, and press [**OK**] key;
3. Enter the password in the password box, then select **✓** and press [**OK**] key to connect to network.

### Ethernet

1. Select **Settings > Network & Internet > Ethernet**;
2. Set **Proxy settings** and **IP settings** then press [**OK**] key to connect to the internet.

### Wow/Wol

It allows remote systems to wake up the sleeping TV by sending a frame of a specific format which the client anticipates. (It is available when network is connected.)

Select **Settings > Network & Internet > Wol / Wow**, and press [**OK**] key to enter. Press [**OK**] key to set it to "On" or "Off", and press [**OK**] key to confirm.

## Bluetooth Setting

In smart mode, select **Settings > Remotes & accessories**, and press [**OK**] key to enter. Select the device which you want to connect to and press [**OK**] key, then follow the prompt to connect.



**Note:** Select **Settings > Device Preferences > About > Device name**, and you can check the TV name.

---

## Recommendations

### Android TV™

Android TV gives you a smarter, easier way to get more from your TV.

### Google Assistant

Use your voice to search for shows, control devices, and more - just ask Google.

### Google Play

Google Play brings your favorite apps and games to your TV. Watch, play, and do-whatever you want, whenever you want.

### Chromecast built-in™

Easily cast your favorite movies, music, and more to your TV with Chromecast built-in.

---

## Important Statement on Network Services

All contents and services obtained from this TV set belong to the third party and are protected by laws on copyright, patent right, trademark right and/or other intellectual property right. The said contents and services are only for your non-commercial purposes. It is not allowed to use any content or service without the authorization of the content owner or the service provider.

Our company will undertake no liability for any direct, indirect and accidental losses or damages caused by your or a third party's access to any content or service or any information or any third party software through this set under any circumstances.

Third party service may be changed, deleted or stopped without prior notice. Our company neither implies nor guarantees the continuous availability of some service or content within any period of time.

Our company is not held responsible for services related to the said service and content. Besides, we will not bear any liability for client service. Please directly contact relevant content and service providers

if you have any problem and service request concerning relevant service or content.

---

## Troubleshooting

### ■ Snowflake spots occur in the TV images and there is noise in accompanying sound.

1. Check if the antenna plug is loose or the cable is in good condition.
2. Check the antenna type (VHF/UHF).
3. Adjust the direction and position of the antenna.
4. Try to use signal enhancer.

### ■ There is neither display nor sound on the screen. The indication light is not on.

Check if the power line is connected.


### ■ Dotted line or strip disturbance occurs in TV images.

Do not use electric hair dryer aside the TV set and adjust the antenna direction to reduce disturbance.


### ■ Double images occur on the TV screen.

1. Use high oriented antenna.
2. Adjust the direction of the antenna.

### ■ The images are colorless.

Press [] key and select **Picture > Saturation** to increase color saturation.

### ■ The TV has no accompanying sound.

1. Adjust the volume to a proper degree.
2. Press [] key on the remote control to cancel mute mode.

### ■ No signal input images show on the machine screen. The indicator light is blinking.

1. Check if the signal connecting cable is loose or falls off. Reconnect it.
2. The machine may be in standby mode, please reboot.

### ■ The remote control distance is short or out of control.

1. Remove the object to avoid blocking the remote control receiving window.
2. Replace the battery.

### ■ The browser cannot access any link.

1. Ask the network administrator to obtain available IP address and other parameters.
2. Check if the network connecting cable is normally connected.
3. Consult the network service provider.



■ **Online video play is very slow.**

1. Please upgrade your network bandwidth to a higher one.
2. Please try to replace with other addresses to obtain better resources.

■ **Machine is slow, system crash, can't operate the machine.**

Disconnect the power supply first, and connect the power supply after about 1-2 minutes, then turn on the TV again.

## Technical Specifications

### Master unit

#### LED24X70

Max. Resolution	1366×768
Best Resolution	1360×768@60Hz
Power Supply	12V $\overline{=}$ 3A, or 100-240V~50/60Hz
Power Consumption of Speaker	4W+4W

#### LED32X70

Max. Resolution	1366×768
Best Resolution	1360×768@60Hz
Power Supply	12V $\overline{=}$ 3A, or 100-240V~50/60Hz
Power Consumption of Speaker	6W+6W

#### LED40X70

Max. Resolution	1920×1080
Best Resolution	1920×1080@60Hz
Power Supply	12V $\overline{=}$ 3A, or 100-240V~50/60Hz
Power Consumption of Speaker	6W+6W

### Dimension (L×W×H) and Weight

#### LED24X70

Excluding base	Unpacking: 549×67×327(mm <sup>3</sup> )
Including base	Unpacking: 549×154×364(mm <sup>3</sup> ) Packing: 580×95×363(mm <sup>3</sup> ) Net Weight: 2.2kg Gross Weight: 3kg

#### LED32X70

Excluding base	Unpacking: 731×68×433(mm <sup>3</sup> )
Including base	Unpacking: 731×179×468(mm <sup>3</sup> ) Packing: 797×108×483(mm <sup>3</sup> ) Net Weight: 3.9kg Gross Weight: 5.1kg

#### LED40X70

Excluding base	Unpacking: 904×70×519(mm <sup>3</sup> )
Including base	Unpacking: 904×178×555(mm <sup>3</sup> ) Packing: 995×118×610(mm <sup>3</sup> ) Net Weight: 5.8kg Gross Weight: 7.7kg

### Operating environment:

Temperature: 5°C~40°C

RH: 20%~80%

Atmospheric pressure: 86kPa~106kPa

### Storage environment:

Temperature: -20°C~55°C

RH: 20%~80%

Atmospheric pressure: 86kPa~106kPa

### Technical specifications for TV

1. Supported standard:

**ATV:** PAL D/K, I, B/G, SECAM D/K, B/G;

**DTV:** DVB-T/C(DVB-T2 option).

2. Antenna input: 75Ω coax, unbalanced.

3. AV video input: 75Ω, 1±0.1Vp-p, RCA terminal.

4. AV audio input: 20KΩ, 0.2~2Vrms.

5. HDMI video input: 480i, 480P, 576i, 576P, 720P, 1080i, 1080P.

6. Specific internal memory capacity in accordance with actual configuration.

7. Specific cache capacity in accordance with actual configuration.

8. Wireless connection: Wi-Fi (IEEE 802.11 b/g/n).

### Power management

Mode	Power Consumption	
	LED24X70	LED32X70/LED40X70
Normal working	≤38W	≤55W
Standby	≤0.5W	≤0.5W

Note: If you turn on **Wow/Wol** function, the maximum power consumption of the machine in standby mode does not exceed 1W.

### HDMI display mode

LED24X70/LED32X70

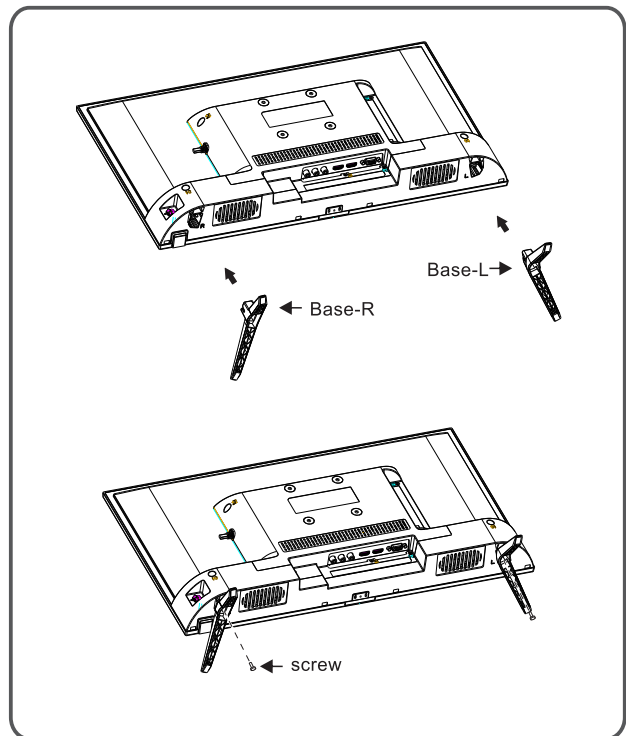
VESA mode			
NO.	Mode	Resolution	Refresh rate
1	VGA	720×400	70Hz
2		640×480	60Hz
3	SVGA	800×600	60Hz
4	XGA	1024×768	60Hz
5	WXGA	1360×768	60Hz

LED40X70

VESA mode			
NO.	Mode	Resolution	Refresh rate
1	VGA	640×480	60Hz
2	SVGA	800×600	60Hz
3	XGA	1024×768	60Hz
4	SXGA	1280×1024	60Hz
5	WXGA	1600×900	60Hz
6	WUXGA	1920×1080	60Hz

## Base Installation Instructions

Put the machine flat first, distinguish left and right base and base installation front and back direction, then install the bases in the bottom of the machine back cover as arrow direction in figure. Align screw holes, then fasten screws (notice that base module has to be adjusted at figure status, otherwise it cannot be installed in.)



**Remark:** The actual base and machine appearance may be different from pictures; please refer to the actual device.

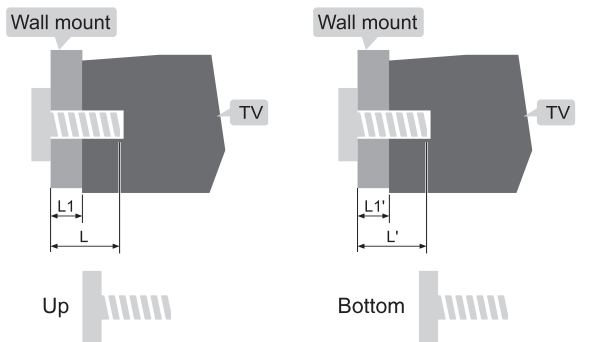
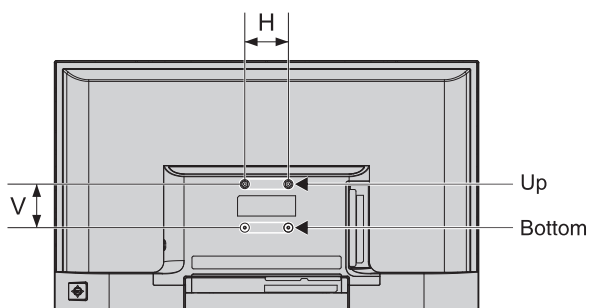
## Use of a TV wall mounting

### Warning

- Please purchase a suitable TV wall mount when mounting your TV on the wall.
- Ensure that the bearing capacity of the wall for mount installation is no less than 4 times the weight of the TV set and the wall mount so as to avoid falling.
- Please refer to the instructions provided with the TV set and wall mount for installation.
- Make sure there is no cable or conduit in the wall section where a wall mount will be installed.
- Please entrust a professional technician to complete installation. The company shall not be liable for accidents, personal injury or damage caused by improper installation of TV set.

### Note:

- If any screws are found in the screw hole for wall mount behind the TV set before installing the wall mount, the screws shall be removed and put in place for later use.
- Please buy the wall screws according to the actual situation.



L1: Thickness of wall mount

L1': Thickness of wall mount

Distance between holes on the wall(H×V)(mm)	Required screws (recommended bolt length)(mm)
LED24X70: 75×75	Up: 2×M4 (L=8.5+L1), Machine screws Bottom: 2×M4 (L'=8.5+L1'), Machine screws
LED32X70/LED40X70: 75×75	Up: 2×M4 (L=8+L1), Machine screws Bottom: 2×M4 (L'=8+L1'), Machine screws