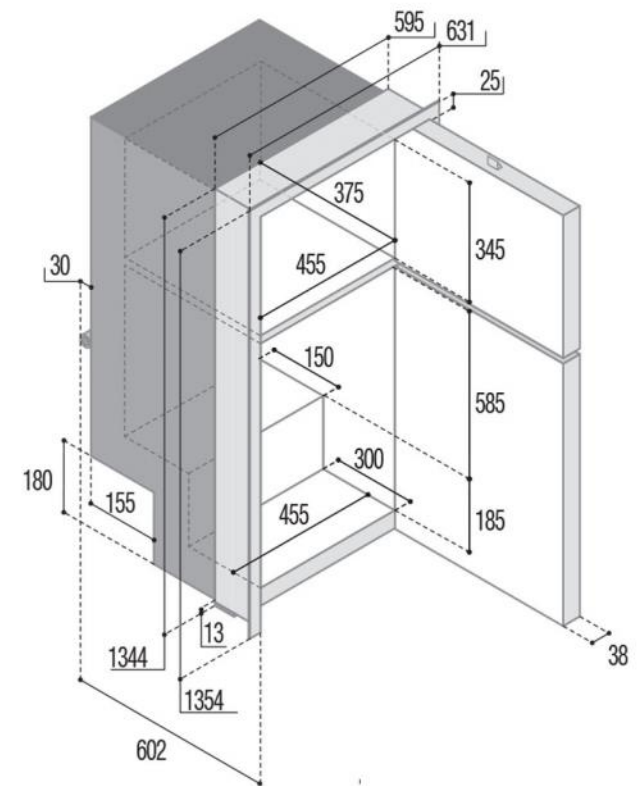


VITRIFRIGO DP2600ix



Total Volume	230 lt
Freezer Compartment	60 lt
Net Weight	62 Kg
Power Supply & Nominal Consumption	12/24V DC 65W



Only available as



FRIDGE+FREEZER

New "SMART" locking system.

The new Airlock closure system integrates 4 innovative solutions:

- 1) positive door closure, to prevent unwanted openings;
- 2) unique Double purpose mounting flange (optional), for both partial built-in (door outside) or total built-in (door inside);
- 3) fast reversible opening: thanks to its smart design, it's now extremely quick and easy to operate;
- 4) integrated "vent position" system, to keep the fridge door ajar, preventing the formation of unpleasant odours and mould when not in use.

The new series is available in two brand new colours, very popular and elegant at the same time.

Two available versions: **Light** bright tones of pearl grey, and **Dark**, with an emphasis on the contrasting colours. Two graphic interpretations that aim to enhance the design, shapes and textures of the materials used, to meet the different needs in terms of image and surroundings of the refrigerator.



Optional
"Dark" version with
mounting flange



Optional
"Light" version with
mounting flange



Standard
"Dark" version without mounting flange
Also available in "Light" version

