

# THUNDER

## CONGRATULATIONS ON THE PURCHASE OF YOUR THUNDER BAR DRIVING LIGHT

For your personal safety read, understand  
and follow the information provided in this  
instruction manual.



*Connection to your Weekend Escape*

# FEATURES

- High output 3W Cree LEDs
- Bright/white light output (6,000K)
- Precision extruded die cast aluminium housing
- Stainless steel mounting brackets and hardware
- Virtually unbreakable polycarbonate lens
- Fully sealed and waterproof (IP67)
- Pre-wired weatherproof connector
- 12/24V dual voltage
- 12 month LED warranty

# IMPORTANT SAFETY WARNINGS

- Remove the vehicle's negative battery cable before installation
- Ensure the lights are mounted securely to a solid surface on the vehicle or bull bar
- Any wires connected to the positive terminal of the vehicle's battery should be fused within 300mm
- Always power the lights through a suitable relay and not directly through a switch
- Avoid using a high pressure washer to wash your light bar; doing so could result in water entering the light and may void the product warranty. Wash with soapy water and rise with a garden hose.

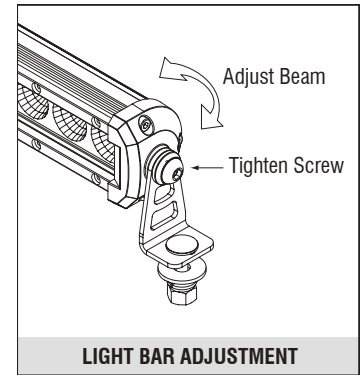
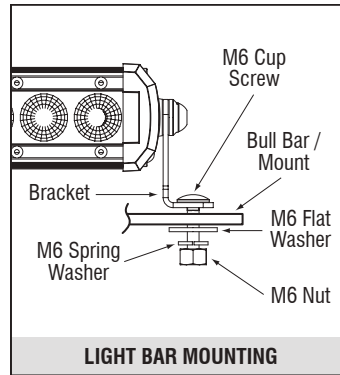
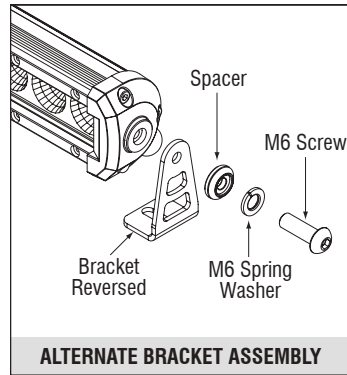
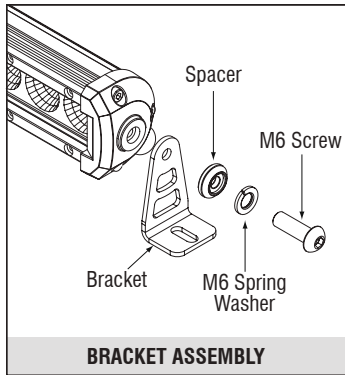
# TECHNICAL SPECIFICATIONS

SPECIFICATIONS	
VOLTAGE	12/24 dual voltage with reverse polarity
LEDS	3W Cree
HOUSING	Extruded die cast aluminium housing
REFLECTOR	Spot beam
LENS	Polycarbonate
COLOUR TEMPERATURE	6,000K
CURRENT DRAW	1.5A to 8.0A @ 12V

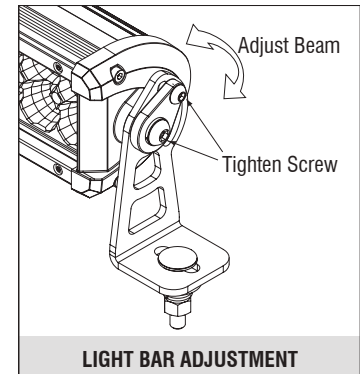
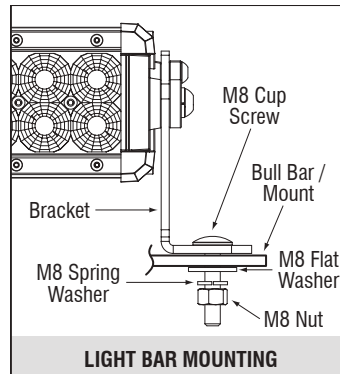
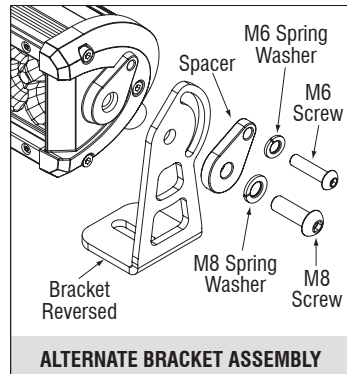
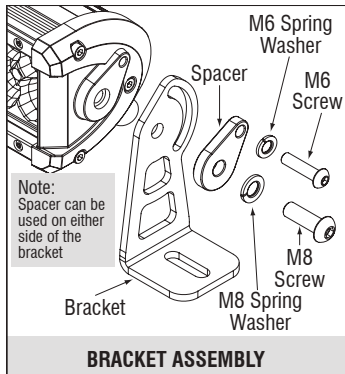
PART NO.	AMPS	LUMENS
TDR08112	1.5	2,000
TDR08120	3.0	4,200
TDR08140	6.0	8,400
TDR08224	8.0	9,800

# INSTALLATION INSTRUCTIONS

## SINGLE ROW



## DUAL ROW



# WIRING INSTRUCTIONS

## BLACK WIRE

Earth - Connect this wire to the chassis earth or negative (-) battery terminal

## RED WIRE

Driving Light - Connect this wire to the positive (+) output of a relay. Relay pin 87 or 87a

# WIRING STEPS

1. Disconnect the vehicle's negative battery cable before commencing any wiring.
2. Mount a suitable relay in the vehicle's engine bay away from direct heat and water.
3. Install a wire from the positive battery terminal to pin 30 of the relay. This wire must be fused within 300mm from the battery.
4. Install an earth wire from the relay to pin 85 of the chassis or negative battery terminal. Ensure a good earth connection with the chassis.
5. Install a wire from the high beam circuit of the vehicle to pin 86 of the relay. Note, a switch should be installed in this wire to disable the driving lights if necessary.
6. Install a wire from pin 87 of the relay to the red wire of the light bar.
7. Connect the light's black wire to the vehicle chassis or negative terminal of the battery.
8. Reconnect the vehicle's negative battery cable to the battery.
9. Test the light. Turn on the vehicle's head lights, then turn on the high beam lights, check the switch is to the 'ON' position. The light bar should illuminate.

## NOTE:

Driving lights must dip with high beam lights and be separately switched to comply with ADR.

# WIRING DIAGRAM

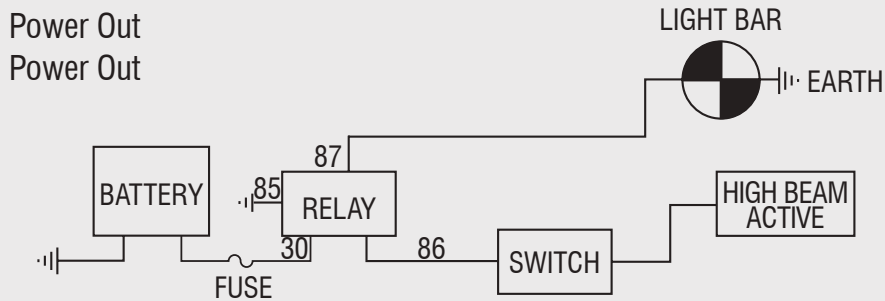
## RELAY CONNECTIONS

PIN 30 Power in

PIN 85 Earth

PIN 86 Switch

PIN87 Power Out



# WARRANTY TERMS & CONDITIONS

When you acquire or fit a Thunder product you have the peace of mind in knowing that it is backed by a comprehensive 12 month warranty against defects in materials & workmanship. The Thunder warranty is provided in addition to any rights you may have under the Australian Consumer Law.

All claims under this warranty should be made by returning the product to the place of purchase at your expense, with the detail of the fault, proof of purchase & fitment details. If we determine that a Thunder product is defective in materials or workmanship during the warranty period, we will either repair or replace the unit.

This warranty does not apply to failure or damage to a Thunder product caused by incorrect or faulty fitment, accidental or intentional damage, failure of other products, incorrect application, incorrect voltage, environmental damage, operation of the product outside of its environmental and technical specifications, or repair or modification carried out by anyone other than an authorised repairer.

Our goods come with guarantees that cannot be excluded under the Australian Consumer Law. You are entitled to a replacement or refund for a major failure & compensation for any other reasonably foreseeable loss or damage. You are also entitled to have the goods repaired or replaced if the goods fail to be of acceptable quality & the failure does not amount to a major failure.



GPC Asia Pacific Pty Ltd  
ABN 97 097 993 283

5 Viola Place, Export Park  
Brisbane Airport QLD 4007  
AUSTRALIA

[thunderauto.com.au](http://thunderauto.com.au) // [thunderauto.co.nz](http://thunderauto.co.nz)

