

THETFORD



Hob 140-145 Series

Installation Manual

EN

Original Installation Manual

Contents

1	Introduction.....	2
2	Symbols.....	2
3	Regulations and standards.....	3
4	Serviceability.....	4
5	Before installation.....	4
6	Position and placement.....	4
7	Connecting gas.....	7
8	Connecting electricity.....	8
9	After installation.....	8
10	Technical specifications.....	8
11	Servicing.....	9
12	Questions / customer service.....	10

1. Introduction

This is the installation manual for the Thetford SHB140, SHB142, SHB143, SHB144 and SHB145 series hob. The manual is meant for qualified installers who will install the hob in a caravan, camper, boat or holiday home. Read the information and instructions carefully and follow them strictly to install the hob safely and correctly.

Also read the warnings in the user manual before testing the hob after installation.

Our policy is one of continuous development and improvement. Specifications and illustrations may change subsequent to publication.



If the appliance is not installed in accordance with national and European regulations, rules and standards this will void the warranty and may lead to criminal prosecution.

2. Symbols

Key to symbols:



Warning. Risk of injury and/or damage.



Attention. Important information.



Note. Additional information.

3. Regulations and standards



Do not modify this appliance, unless the modification is authorised and carried out by the manufacturer or their agent.



Use only genuine and approved parts and materials.

EN



Wear the correct Personal Protective Equipment during the installation. Also follow the applicable safety regulations.



Gas and electrical appliances should only be installed by qualified and certified professionals.



Ensure that the type of gas and pressure match the specification of the appliance. You can find the specification on the data badge.



Pay close attention to current regulations on ventilation in the country of use. The installation must provide for adequate air supply for combustion to the burners, safe removal of combustion products and avoidance of accumulation of unburned gases.



If it is not possible to install the appliance in accordance with these instructions, please refer to Thetford for further guidance.



For more information about ventilation regulations and requirements, see Position and placement.

4. Serviceability

The installer of Thetford products is responsible for proper installation to ensure the correct functionality and serviceability of the appliance. In terms of serviceability, this means that a dealer or an authorised Thetford service partner must be able to de-install and re-install the Thetford products within the time that is allowed according to the Thetford time-list, using standard tools and equipment.

This is to claim any warranty during the period of 3 years after purchase date. In case of any queries on this subject, please contact the Thetford local service representative before installing the product.

5. Before installation

Check the contents of the box:

- SHB140, SHB142, SHB143, SHB144 or SHB145 series hob
- Template
- Fixing screws (4x)
- Plastic washers (3x)
- Glass lid bump stop
- Rubber seal
- User manual
- Installation manual

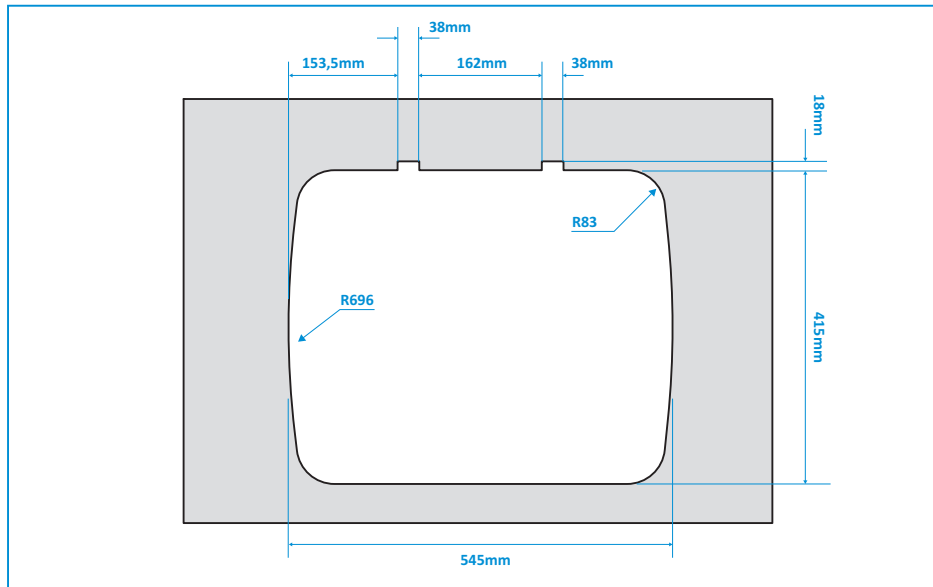


If something is missing from the box, please contact your dealer.

6. Position and placement

- Remove all packaging materials from the appliance.
- Place the template on the worktop to check the dimensions.

- Prepare the worktop cut-out, using the template with the following dimensions.



EN

- Saw the cut-out.



The appliance must be positioned free from draughts, which may effect the combustion. It must also be positioned in a manner that will prevent the accumulation of unburnt gas.



This appliance may be installed in a kitchen/kitchen diner but not in a room containing a bath or a shower. LPG appliances must not be fitted below ground level e.g. in a basement.



Follow the minimum dimensions shown in this manual. Any deviation could result in excessive temperature rise. If the minimum dimensions must be reduced, due to design constraints, a temperature rise test of all furniture fitted around the appliance must be performed. Where the minimum dimensions are reduced, it is recommended to install non-combustible material.



The surrounding surfaces must be able to withstand the allowable temperature rise of 65°C above ambient temperature, as specified in the EN30-1-1 standard and in accordance with the design of this unit.



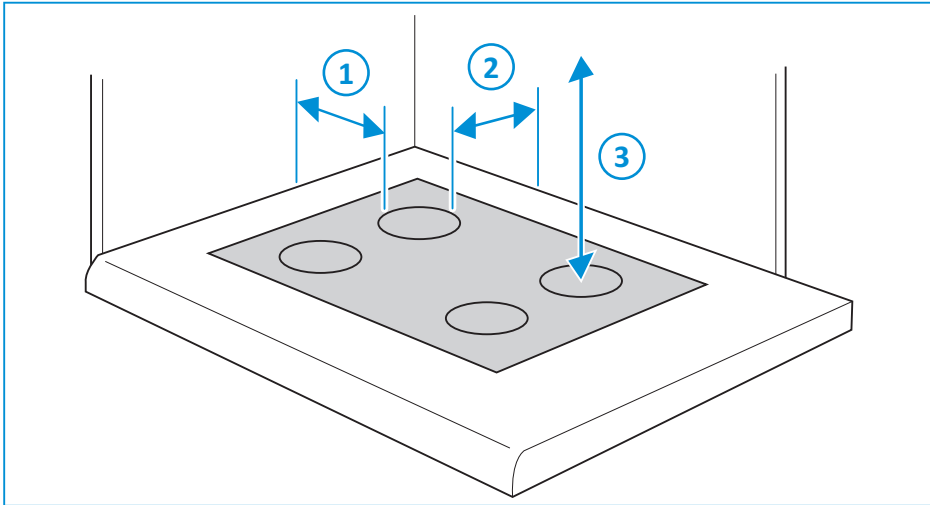
All combustible materials such as curtains and shelves must be kept well clear of the appliance.



The temperature of the surrounding surfaces may rise if there are other additional devices besides the appliance. Check the allowable temperature of the materials used for the surrounding surfaces to ensure that they meet the requirements of EN30-1-1, EN1949, EN1645-1, EN1646-1, EN1647 and EN721.

- Protect the underside of the appliance with a shield, made from non-combustible material, if the space below the hob is used for storage or another appliance.

- Maintain the minimum distances between the burners and side, rear and overhanging parts.



1. Distance between edge of the burner and the side: min. 200mm
2. Distance between edge of the burner and the rear: min. 200mm
3. Distance between burners and overhanging parts: min. 500mm

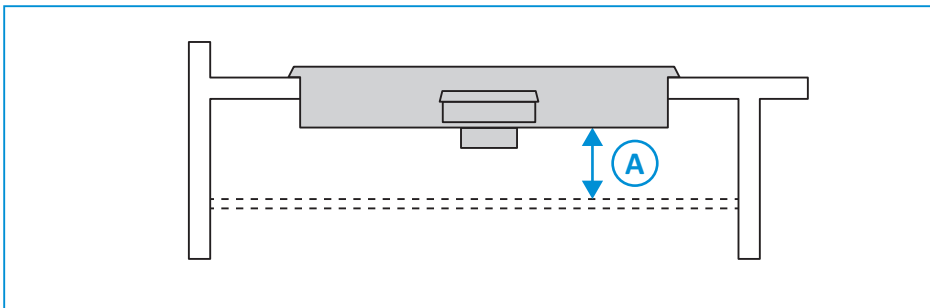


If you are unable to maintain these minimum distances, install fire-resistant material for protection.

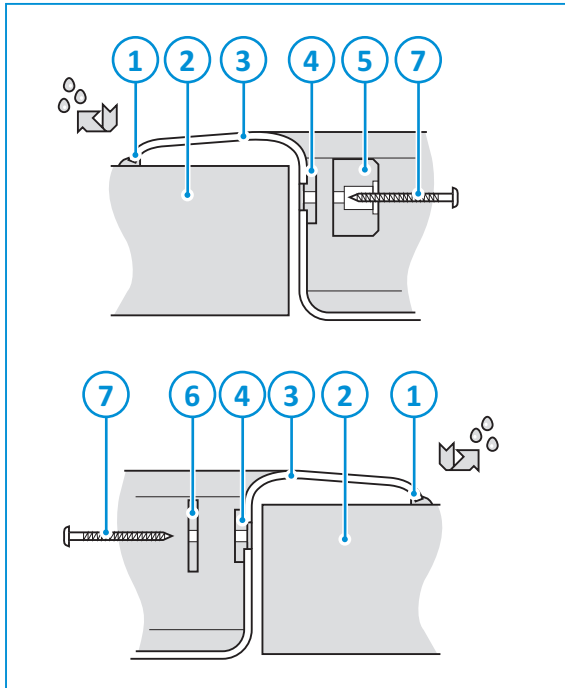


For models with a glass lid, the distance from the edge of the burner to the rear wall can be reduced to 110mm.

- Provide an air gap of at least 50mm under the unit [A].



Maintain provision for the dispersal of unburnt gas beneath the appliance.



1. Optional rubber seal
2. Worktop
3. Hob pressing
4. Plastic washer
5. Glass lid bump stop
6. Plastic washer
7. Fixing screw

EN



There are 4 fixing positions, 2 on either side of the appliance. The upper image represents the front left fixing position. The bottom image represents the other 3 fixing positions.

- Fit the optional rubber seal [1] to the appliance, prior to fitting it into the aperture.
- Place the appliance into the prepared aperture in the worktop and open the glass lid.



Ensure that the rubber seal [1] is seated correctly.

- Secure the washer [4] and the glass lid bump stop [5] at the front left fixing position with a fixing screw [7].
- Secure the washers [4 and 6] at the other 3 fixing positions with fixing screws [7].
- Fix the appliance in place using the fixing screws.

7. Connecting gas

- Connect the gas to the Ø8mm gas inlet.
- Use only metal gas pipes in accordance with the requirements of EN1949. Please contact your dealer for more information.



Never use rubber tubing.



The burners have a fixed air/fuel mixture. When using propane, the flames burn quietly with a blue-green colour and no yellow at the tip. With butane, the flames have yellow tips. The yellow colour of the flames increases slightly as the burner heats up.

8. Connecting electricity







- Connect the spark ignition cables to a 12V DC battery using appropriate connectors.

9. After installation

- Ensure that all packaging materials have been removed.
- Fix a warning label next to the unit that meets the requirements of EN721, Annex A.
- Fix a warning notice next to the gas dispersal hole, with the text: Warning! Under no circumstances should the gas dispersal hole be obstructed.
- Test all gas piping and connections and make sure they do not leak.
- Check the pressure of the gas when all connected gas appliances are in use simultaneously. The gas pressure may not rise or fall by more than 2.5mbar relative to the nominal value.

10. Technical specifications

Table 1: Burner specifications

	SHB140/SHB144 series			SHB142 series		
	Gas input		Injector	Gas input		Injector
						
	kW	g/hr	mm	kW	g/hr	mm
Gas burners	4 x 1.5	4 x 108	0.61	2 x 1.5 1 x 1.0	2 x 108 1 x 72	0.61 0.52
Hotplate burner				1 x 800W 230V ~ AC 50Hz		
Total	6.0	432		4.0 [gas] 800W [electric]	288	







	SHB143 series			SHB145 series		
	Gas input		Injector	Gas input		Injector
						
	kW	g/hr	mm	kW	g/hr	mm
Gas burners	3 x 1.5	3 x 108	0.61	2 x 1.5 1 x 2.4	2 x 108 1 x 173	0.61 0.77
Total	4.5	324		5.4	389	

Table 2: Dimensions and weight

	SHB140/SHB142/SHB143/ SHB144/SHB145 series		
Dimensions	H	W	D
mm	110	570	470
Appliance weight	SHB140/SHB144 series: 6.6kg SHB142 series: 7,5kg SHB143 series: 6.3kg SHB145 series: 6.4kg		
Spark ignition	12V DC		

EN

Table 3: Gas category

Class 3 Appliance	
CAT I ₃ + (28-30/37)	CAT I ₃ B/P (30)
BUTANE (G30) 28 – 30mbar	BUTANE (G30) 30mbar
PROPANE (G31) 37mbar	PROPANE (G31) 30mbar



Use only the type of gas and the pressures specified.

11. Servicing

All servicing must be carried out by an approved competent person. Before any service work is started, the appliance should have been left to cool and be disconnected from both the gas and electrical supplies. After each service the appliance must be checked for gas soundness and electrical safety.

For service, please contact your authorised local Service Centre giving details of the model and serial number on the data badge plus date of purchase.

Model Name & Series Number				
G30 G31	CAT I ₃ + (28-30/37) BUTANE 28-30mbar PROPANE 37mbar	CAT I ₃ B/P (30) BUTANE 30mbar PROPANE 30mbar	THETFORD	
ΣQn	Power kW (g/hr)	Model Number	Spark Ignition	
CE	Pin Number	Serial Number	Voltage ~ 50 Hz	
	Country Codes 1	Country Codes 2	Power kW	
			QC Pass	Order No