

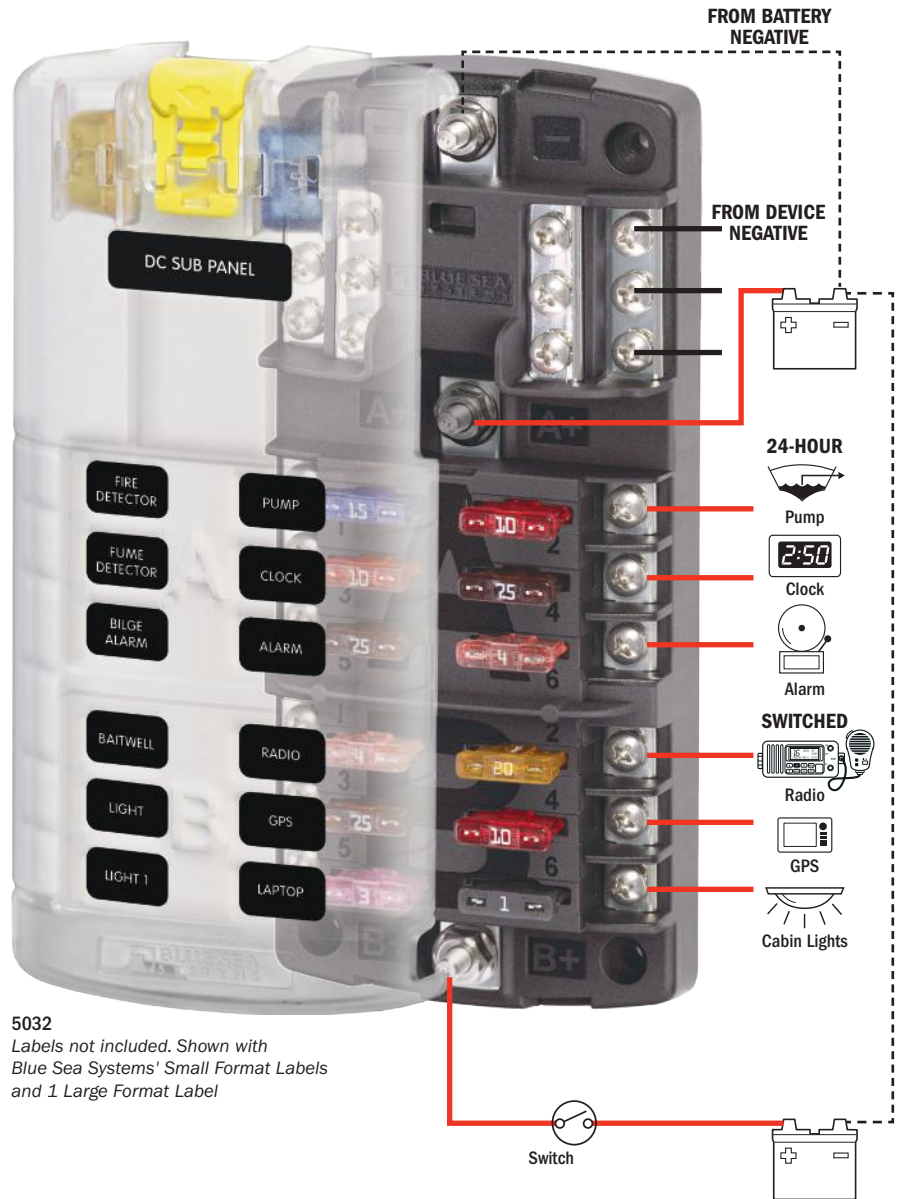
NEW

ST Blade

SPLIT BUS FUSE BLOCK

Split Bus Fuse Block with ground for use when a mix of switched and 24-hour circuits are desired in the same block

- Provides two isolated groups of six ATO®/ATC® circuits
- For use with either two isolated batteries or with a single battery providing a mix of 24 hour and switched circuits
- Screw terminals for securing wires accept ring terminals
- One-piece stainless flange nuts ensure safe and secure connections for primary feed wires
- Clear insulating cover with label recesses and storage for two fuses, satisfies ABYC/USCG insulation requirements
- Tin-plated copper buses and fuse clips
- Fuses sold separately



5032
Labels not included. Shown with Blue Sea Systems' Small Format Labels and 1 Large Format Label

Related Products



ATO® or ATC® Fuses
p. 39



easyID ATC® Fuses
p. 39

ST Blade

SPLIT BUS FUSE BLOCK

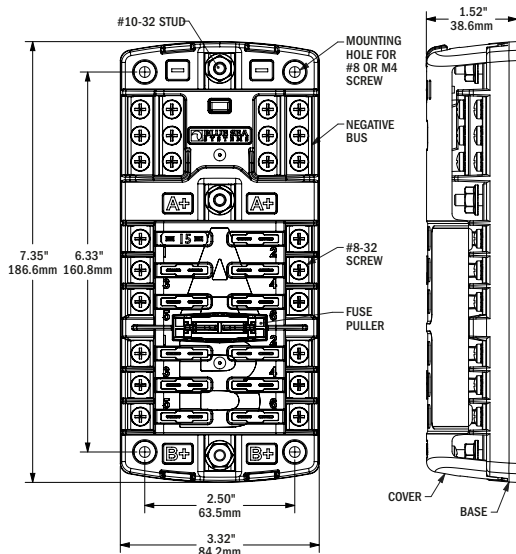
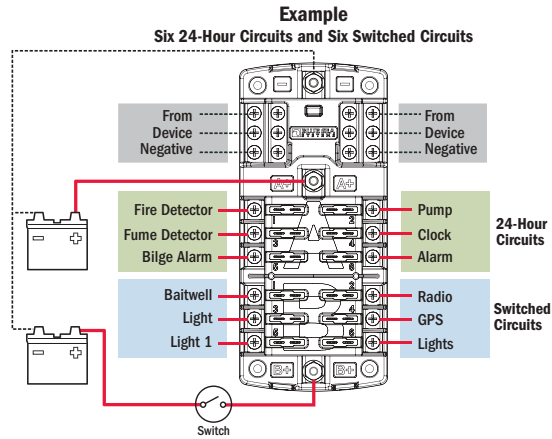
Specifications

Voltage Max. Operating	32V DC
Amperage Max. Operating	30A (per circuit)
Amperage Max. Operating	100A (per block)
Fuse Type	ATO® or ATC® Fuses
Screw Terminal	#8-32 Screws with captive star lock washer
Mounting	#8 Screw (M4)

For additional specifications see www.blueseas.com

PN	Circuits	Cover	Negative Bus	Positive Bus
5032	12	Yes	#10-32 stud	#10-32 stud

Application Diagram



Additional ST Blade Products

ST Blade Common Source
Fuse Blocks Screw Terminal



5028
6 circuit
Positive bus



5025
6 circuit
Positive and negative bus



5029
12 circuit
Positive bus



5026
12 circuit
Positive and negative bus

ST Blade Independent Source
Fuse Blocks Screw Terminal



5035
6 circuit

ST Blade Battery Terminal Mount
Fuse Block Screw Terminal



5023
4 circuit
PATENT PENDING



Scan for
additional
product
information



425 Sequoia Drive
Bellingham, WA 98226 USA
p 360.738.8230
p 800.222.7617 USA and Canada
f 360.734.4195
conductor@blueseas.com
www.blueseas.com

Specifications subject to change.
See blueseas.com for current information.

00000000 Rev.000