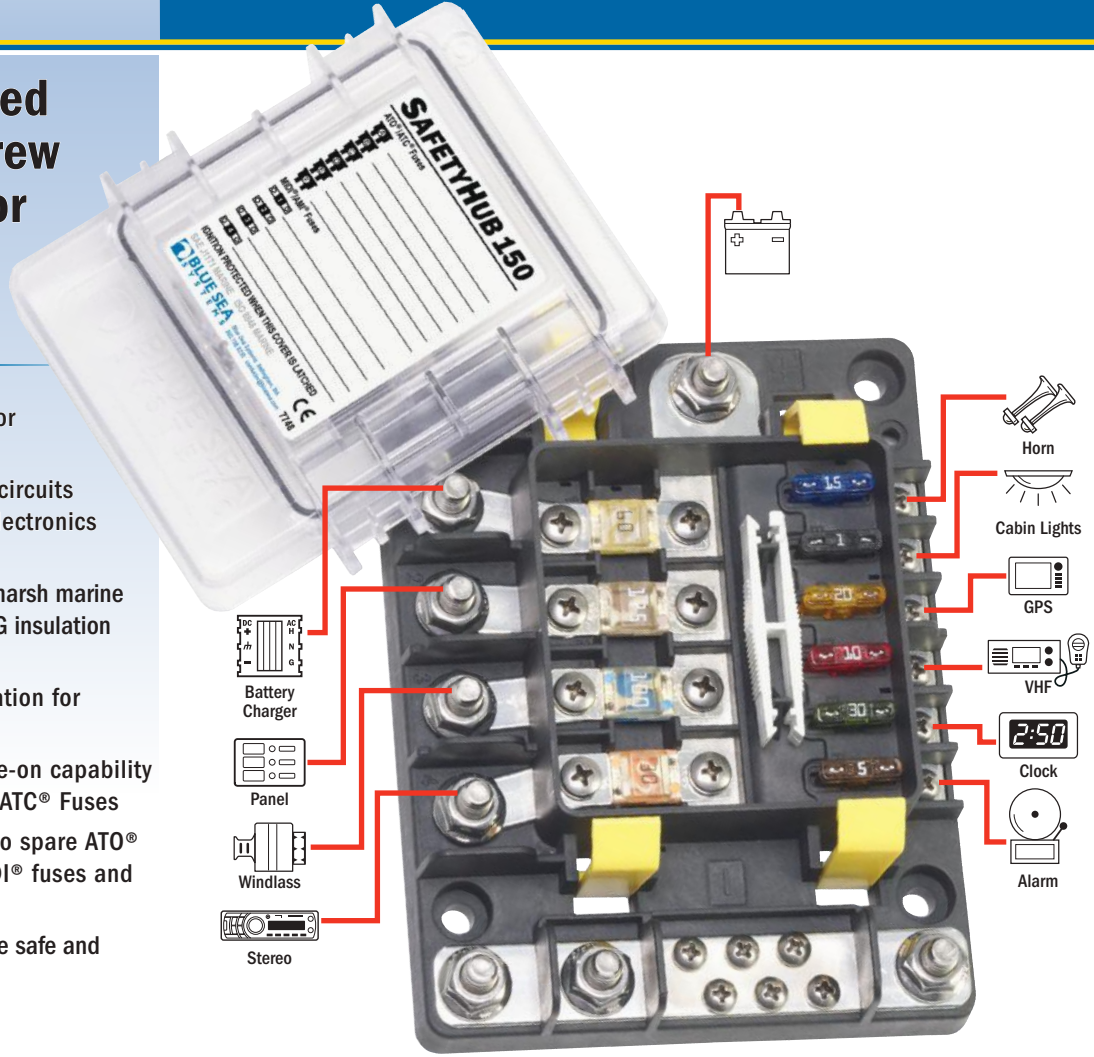


SafetyHub 150

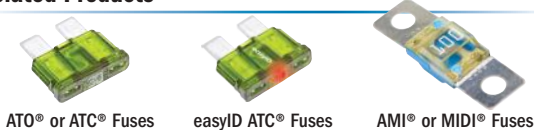
FUSE BLOCK

An ignition protected fuse block with screw termination safe for use on gasoline powered boats

- Accepts four AMI® or MIDI® Fuses for high-amp circuits up to 200A
- Accepts six ATO® or ATC® Fuses for circuits up to 30A including bilge pumps, electronics and lights
- Sealed cover protects fuses from the harsh marine environment and satisfies ABYC/USCG insulation requirements
- Negative bus provides common location for negative connection
- Circuit identification label with write-on capability
- Fuse puller easily removes ATO® or ATC® Fuses
- Cover provides storage space for two spare ATO® or ATC® and two spare AMI® or MIDI® fuses and mounting screws
- One-piece stainless flange nuts ensure safe and secure connections
- Fuses sold separately



Related Products



PN	Description	Included in Retail Package
7748	SafetyHub 150 Fuse Block	Yes

SafetyHub 150

FUSE BLOCK



Specifications

Amperage Max. Operating (combined)	280A
Voltage Max. Operating	32V DC
Minimum Cable Size to Meet Ratings	4/0 AWG (120 mm ²)
Recommended Ring Terminal	M8 (5/16")
Stud Size	M8

AMI® or MIDI® Fuse Block

Amperage Max. Operating (per block)	280A†
Amperage Max. Operating (per circuit)	170A†
Fuse Amperages Available	30A-200A
Minimum Cable Size to Meet Ratings	2/0 AWG (70 mm ²)
Screw Size	M5

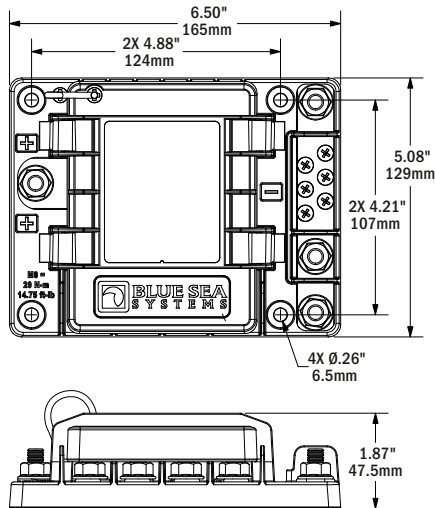
ATO® or ATC® Fuse Block

Amperage Max. Operating (per block)	50A†
Amperage Max. Operating (per circuit)	25A†
Fuse Amperages Available	1A-30A
Screw Size	#8-32

Regulatory

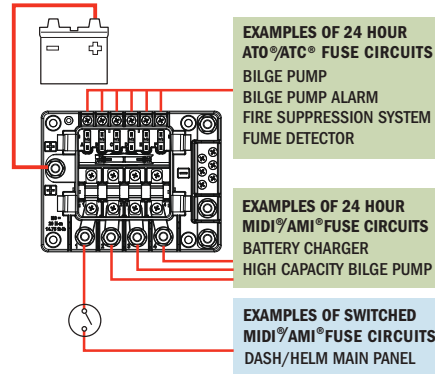
CE marked, Meets ISO 8846, and SAE J1171 external ignition protection requirements
 IP66—protected against powerful water jets (see inside back cover)

† Ratings are dependent on input and output cable sized for appropriate amperages.

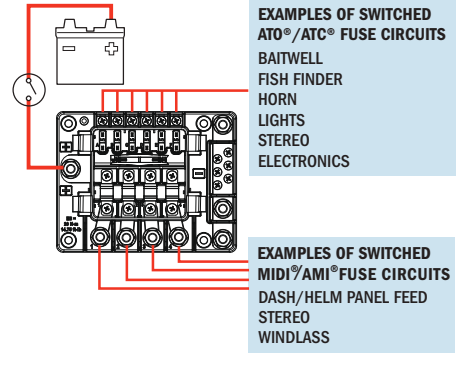


Application Diagram

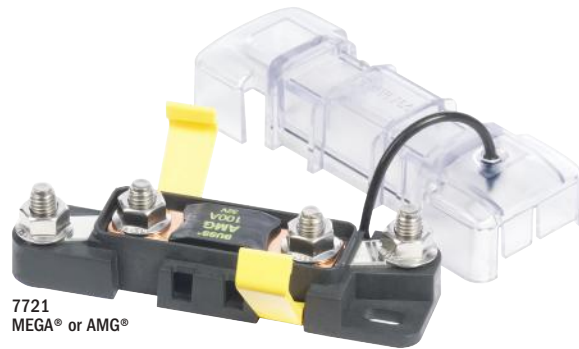
FUSE BLOCK CONNECTED BEFORE THE BATTERY SWITCH



FUSE BLOCK CONNECTED AFTER THE BATTERY SWITCH



Additional Safety Fuse Blocks



425 Sequoia Drive
 Bellingham, WA 98226 USA
 p 360.738.8230
 p 800.222.7617 USA and Canada
 f 360.734.4195
 conductor@blueseas.com
 www.blueseas.com

Specifications subject to change.
 See blueseas.com for current information.
 980006350 Rev.002