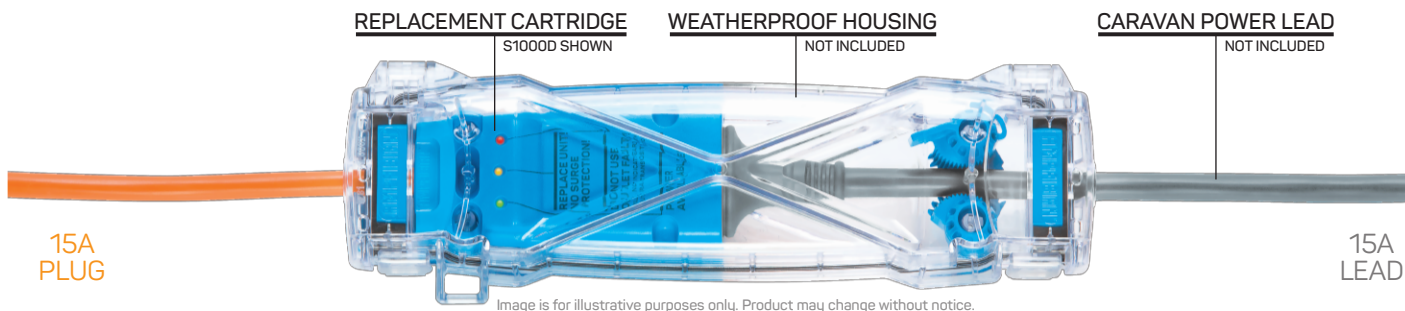


AMPFIBIAN CARAVAN SURGE PROTECTOR REPLACEMENT CARTRIDGE:

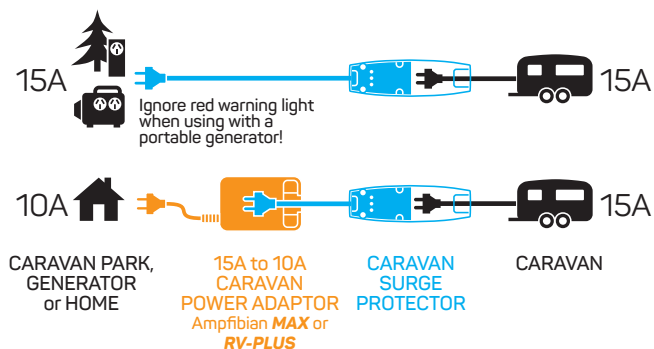
- **S1000D 15A CARAVAN SURGE PROTECTOR with OUTLET TESTER** Mfgr.# 76479-
- **S500 15A CARAVAN SURGE PROTECTOR** Mfgr.# 76546



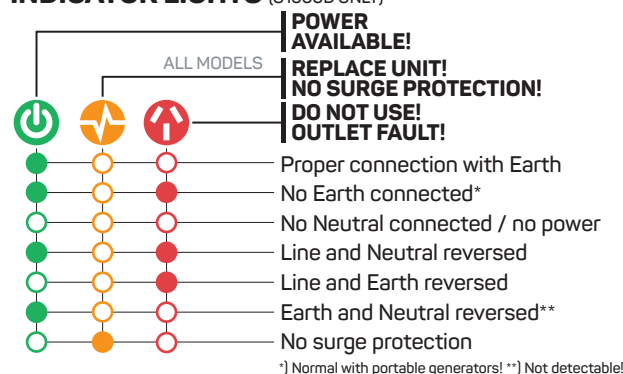
Indoor use only, unless placed inside an Ampfibian CARAVAN SURGE PROTECTOR housing or an X1 CONNECTOR PROTECTOR to weatherproof for outdoor use.



CONNECTION GUIDE



INDICATOR LIGHTS (S1000D ONLY)



HOUSING OPERATION (Ref. ONLY: housing / X1 not included!)

WARNINGS

- Do not operate frozen seals: allow to thaw before opening/closing!
- Do not expose to petrol, oil, solvents, harsh chemicals, etc.!
- Do not use in hazardous areas and/or in the presence of corrosive, oxidising and/or explosive materials, gases, vapours, etc.!
- Do not use if seals missing or damaged!
- Do not immerse!
- Do not disassemble!
- Temporary use only, not for permanent installation!
- Only insert cords if dry and if unit is dry inside!
- Do not bury!
- Do not use if housing is damaged!
- Disconnect power supply before handling connections!

SPECIFICATIONS

- Suitable for ordinary and heavy duty cords from Ø8mm to Ø12mm diameter. Cleats successfully tested to 100kg.
- Impact rated to IK09.
- Ingress protected to IP55.

INSTRUCTIONS

- Use clean and undamaged electrical cords.
- Check all seals are in place, undamaged and clean.
- Ensure clamps rotate freely before use.
- Confirm housing clips are fully latched when closed.
- Store open (un-latched) in a dry place out of direct sunlight.
- Remove condensation/moisture with a clean dry cloth.

NOTES

- The housing seals to IP55 with cords up to Ø12mm (almost Ø½") when closed, and maintains IP55 without cords inserted.
- The clamps help to retain cords from Ø8mm to Ø12mm. Smaller diameter cords are sealed, but not retained.
- Clamps provide protection from accidental disconnection, but cords must not be under permanent tension while in use.
- Differences between temperature, pressure and humidity inside and outside the unit will lead to condensation inside.
- Electricity is dangerous, use caution!

IF USING WITH AN AMPFIBIAN X1 CONNECTOR PROTECTOR:

Gently remove pair of cleats and their spring from hanger end of X1.

SPECIFICATIONS

| Model | S500 | S1000D with TESTER |
|----------------------|--------------------------------------|--------------------|
| Max. surge | 500 Joules | 1000 Joules |
| Plug and socket | 15A three flat pins | |
| Conductor size | 1.5mm ² – heavy duty lead | |
| Electrical ratings | 240VAC 50Hz 15A 3600W | |
| Standards compliance | AS/NZS-3120:2011 | |
| | Do not disassemble! | |

WARNING: Insulation testing above 250V may cause device failure!

LIMITED WARRANTY

Every Ampfibian product is thoroughly inspected and tested before leaving our factory. Ampfibian Pty. Ltd. limits this warranty against defective workmanship and faulty materials for twelve (12) months from date of purchase (proof of date of purchase must be provided) and undertakes at its option to repair or replace each product or part thereof on condition that: (a) the product has not been subject to misuse, neglect, accidents or alterations; (b) the unit has been used and maintained as per the instructions. Ampfibian Pty. Ltd. is not liable for any consequential damage to either people, work or facilities from using the product. Surges above the stated Joule rating will disable the protection permanently; replace unit for continuing protection. Loss of surge protection is NOT covered under this warranty. Buyers sole remedy against manufacturer shall be the replacement of the defective product. Because applications vary, no use or suitability warranty is implied or intended. It is the buyers responsibility to determine if the product will adequately protect the user. Careful analysis should be made before selecting equipment for a particular work environment. Please see the "Return & Refund Policy" page on our website or contact us for details. All shipping costs are the responsibility of the customer. Please include your purchase receipt (or a copy) as proof-of-purchase in the event of a warranty claim.

Register your warranty online at ampfibian.com.au

PET Packaging
PC/POM/PVC parts
Paper

Independently tested by:
TÜV Rheinland
Independently certified by GlobalMark®

DESIGNED IN AUSTRALIA

N17479

AUSTRALIAN MADE

Dispose of packaging in recycling. Dispose of surge protector in household rubbish. Do not open or disassemble!

2204-INSTRUCT-CART-WEB-B