

# Rapidtool

A U S T R A L I A



## User's Guide

**RAPIDTOOL RT-40A/RT-60A**  
Rebar Tying Machine

# WARNING: PLEASE READ THIS MANUAL CAREFULLY BEFORE USING THIS MACHINE

## Contents

1. Specifications & Technical Information .....	2	4. Machine Operation .....	7
2. Safety .....	5	5. Maintenance .....	9
3. Battery & Charger Operation .....	6	6. Storage .....	9
		7. Troubleshooting Guide. ....	10

## 1. Specifications & Technical Information



### Machine Specification

Model	RT-40A	RT-60A
Weight	2.6kg	2.8kg
Size (LxWxH)	297x109x300mm	312x109x310mm
Wraps per tie	2 or 3 (adjustable)	3 or 4 (adjustable)
Tie diameter range	12-40mm	30-60mm
Ties per charge	+5,000 (2 wraps) +4,500 (3 wraps)	+4,500 (3 wraps) +4,000 (4 wraps)

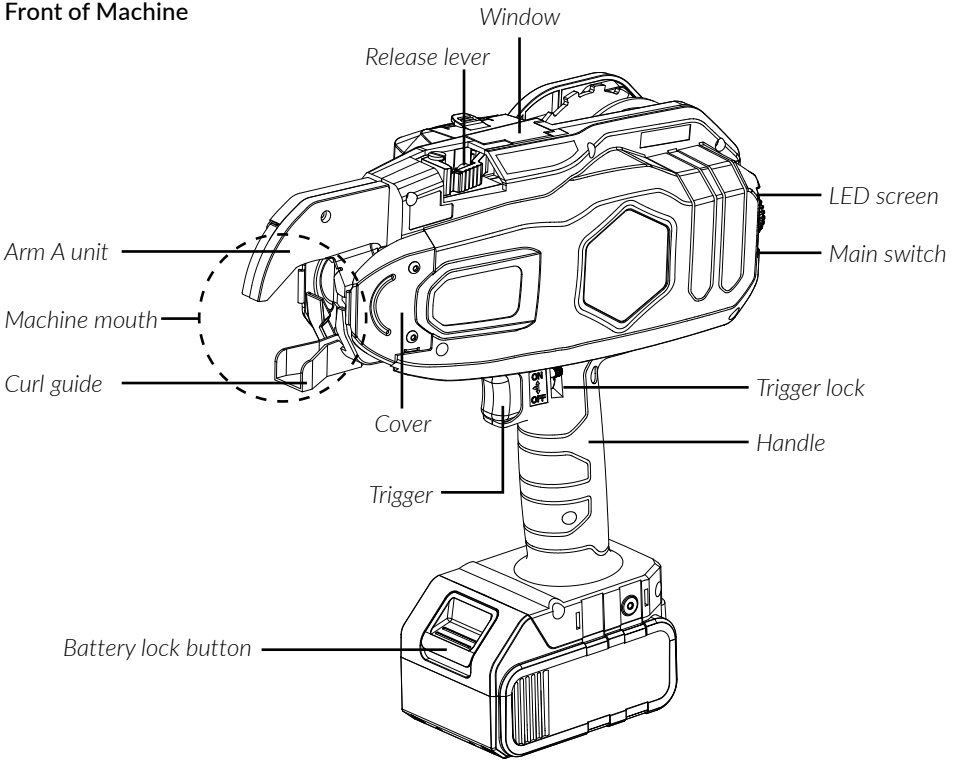
### Wire Specification

Model	TWG-50A (50 coils per carton)	
Diameter	0.8mm	
Length	Approx. 100m	
Material	Galv.	
Ties per coil	RT-40A	RT-60A
	Approx. 160 (2 wraps)	Approx. 90 (3 wraps)
	Approx. 120 (3 wraps)	Approx. 75 (4 wraps)

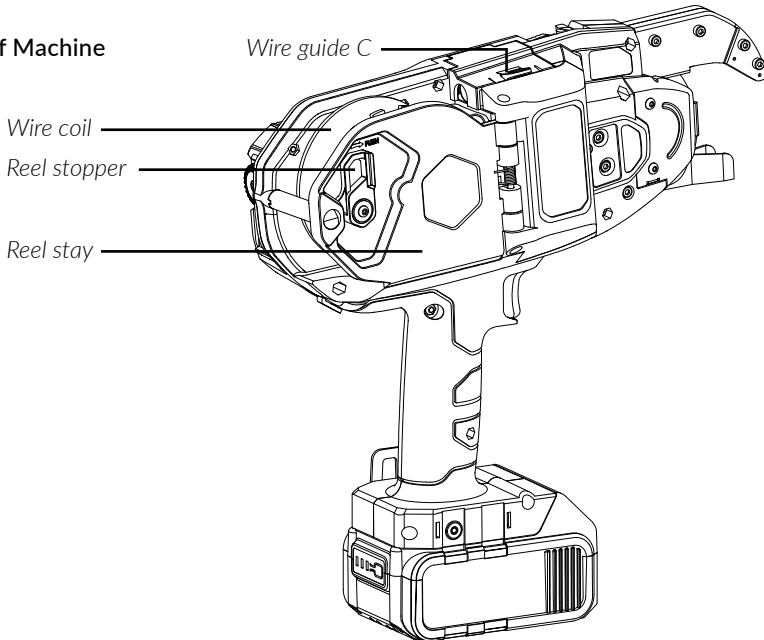
### Charger Specification

Input	100-240V  50/60Hz 1.0A
Output	DC 21V  3.0A
Battery	10 Cell Li-ion 18V - 4.0 Ah
Charge Time	Approx. 90min
Charge only 18V Li-ion type rechargeable batteries supplied with machine.	

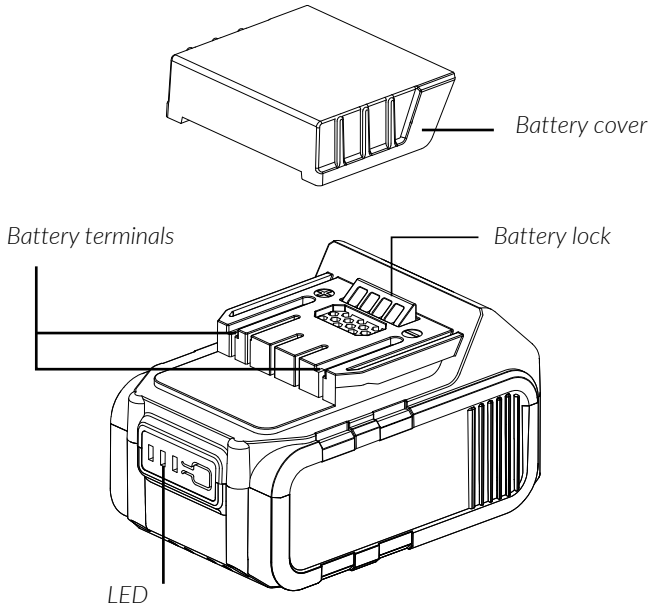
## Front of Machine



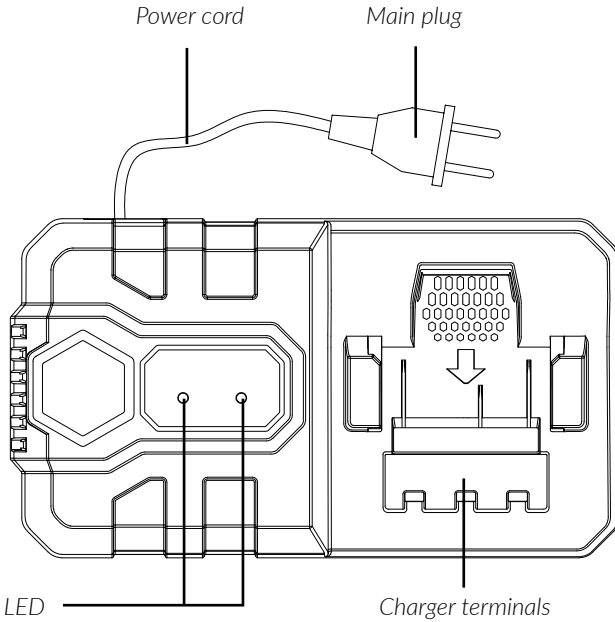
## Back of Machine



## Battery



## Charger



## 2. Safety

***This machine is a high performance, battery operated tool. Failure to follow safety instructions may result in serious injury.***

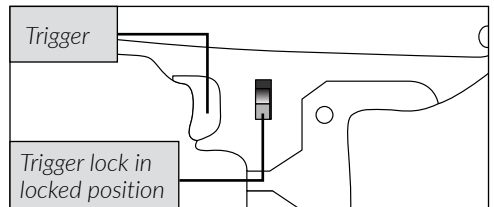
### Machine and General Safety

1. This appliance is not intended for use by persons (including children) with reduced physical, sensory or mental capabilities, or lack of experience and knowledge, unless they have been given supervision or instruction concerning use of the appliance by a person responsible for their safety.
2. Ensure trigger lock is on when not in use and before switching power on.
3. Authorized personal protective equipment must be worn when operating machine (minimum requirement - protective gloves).
4. Ensure body parts are well clear of moving parts (machine mouth, feeding gears, and wire coil). In particular keep hands well clear of machine mouth when power is on.
5. Use away from others, particularly children.
6. Children should be supervised to ensure that they do not play with the appliance.
7. Never attempt to tie diameters outside of prescribed diameter range for the model (refer to table in Machine Specification section).
8. Never attempt to service machine (other than general maintenance procedures outlined in Maintenance section). Contact an authorised service centre if issues arise.
9. Only use Rapid Tool approved spare parts and accessories with machine.
10. Ensure trigger lock is on and power is switched off when not in use.
11. Ensure trigger lock is on, power is switched off and battery removed when changing or adjusting wire coil.

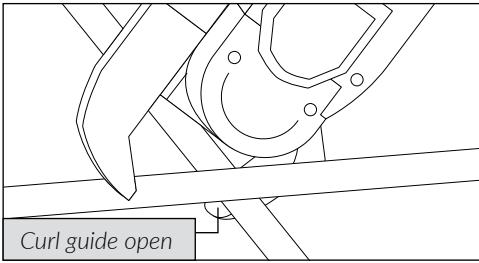
12. Ensure trigger lock is on and power switched off when charging battery.
13. Do not expose machine to wet or damp conditions.
14. Do not expose machine to hazardous materials (includes flammable items).
15. Only use machine in temperatures between 0-40°C.
16. Ensure all screws are properly tightened and inspect machine, battery and charger for defects prior to use. Do not use products if defect is found, contact an authorized service centre immediately.
17. Ensure machine is properly maintained in accordance with Maintenance Section.

### Safety Features

The machine is equipped with the following safety features:



**Trigger Lock:** The machine is equipped with a trigger lock. Lock the trigger by pushing the trigger lock into the downward 'Off' position as shown below. Unlock the trigger by pushing the trigger lock upwards to the 'On' position.



**Curl Guide:** The machine will make a warning sound and will not tie if the trigger is pulled whilst the curl guide is open. To start tying, release the trigger and make sure the curl guide is closed.

### Battery and Charger Safety

1. Do not charge battery using a generator.
2. Do not leave battery in charger once fully charged.
3. Only use supplied charger.
4. Only charge directly via charger.
5. If battery is fully charged but operating time is significantly reduced, battery is defective and must be replaced immediately.
6. Do not expose battery or charger to wet or damp conditions.
7. Do not cover or place anything on the charger during use.
8. Do not expose battery or charger to a heating source or open fire.
9. Do not expose battery or charger to hazardous materials (includes flammable items).
10. Charge battery in well ventilated places.
11. Only charge battery in temperatures between 0-40°C (charging time may be slower in lower temperatures).
12. Leave charger to rest between charges.
13. Keep charger and battery terminals clean (only use in dirt and dust free environments). Use battery cover on battery when not in use.

14. Ensure new batteries or batteries which haven't been used for some time are fully charged before use.
15. Handle charger cord carefully. Do not carry charger by cord or unplug charger by pulling cord.
16. Make sure battery terminals do not come into contact with each other.

### Battery Disposal

Batteries contain substances that can be harmful to human health and the environment if they are not handled properly. Batteries are marked with the crossed trash bin. This symbolises that waste batteries must not be disposed with unsorted waste but must be collected separately.

It is important that you hand in your waste batteries to the collection points that are established. In this way, you help to ensure that the batteries are recycled in accordance with legislation and do not unnecessarily damage the environment. Your local waste authorities can inform you how to dispose and recycle this type of battery correctly.

## 3. Battery & Charger Operation

***Always read, understand and comply with safety instructions (Section 2) before use.***

1. To remove battery, press battery lock button before removing from machine battery slot.
2. Insert battery into charger slot and battery will automatically begin to charge (red light permanently on, green light flashing).
3. When fully charged (green light permanently on), remove battery from charger.
4. To install battery, insert battery into machine battery slot.

## 4. Machine Operation

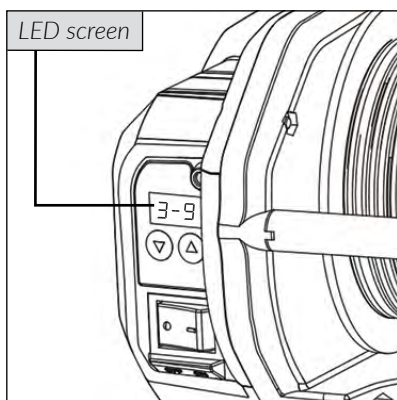
Always read, understand and comply with safety instructions (Section 2) before use.

### Battery Saving Function

The machine is equipped with a battery saving function and will automatically shut down after 10 minutes of no use.

### Tie Tension and Wrap Settings

The first digit on the LED screen indicates the number of tie wraps and the second digit indicates the tie tension as shown below.



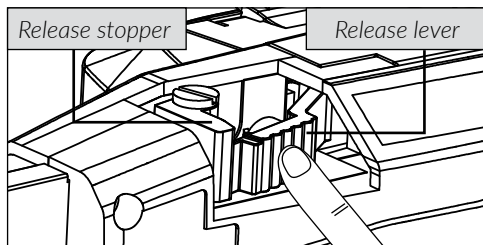
Press the button to loosen and press the button to tighten the tie tension (1 = min tension / 9 = max tension). By default RT-40A is set for 3 wraps and RT-60A is set for 4 wraps. To adjust the number of wraps down to 2 for RT-40A and 3 for RT-60A, switch the machine off, pull and hold the trigger while switching the machine on. If the machine is switched off, the number of wraps will be automatically set for default number of wraps again.

It is recommended to use the following guide for wrap and tension settings:

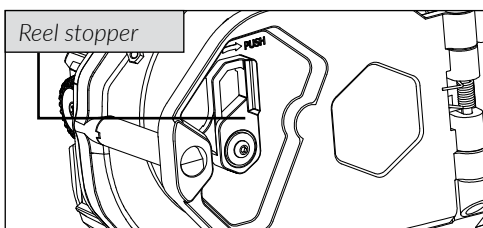
Model	2 Wraps	3 Wraps	4 Wraps
RT-40A	1-5	6-9	-
RT-60A	-	1-5	6-9

### Loading Wire Coil

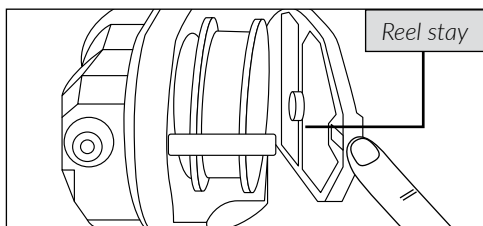
**Warning - Ensure trigger lock is on, power is switched off and battery removed.**



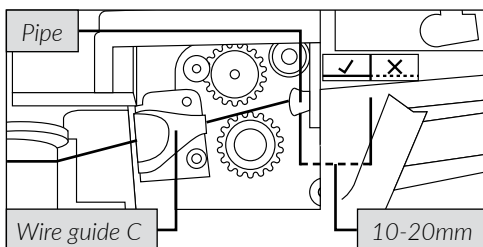
1. Push the release lever until it is caught by the release stopper.



2. Push the reel stopper to open the reel stay.

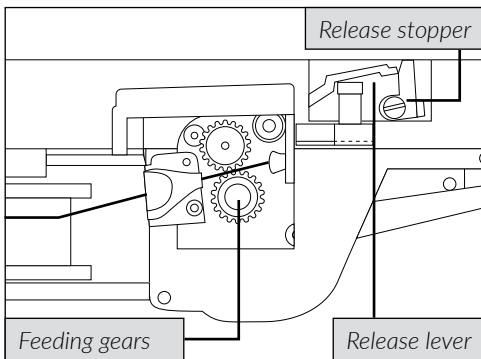


3. Insert the wire coil with the wire-end upwards and forward. Carefully close the reel stay and secure the reel stopper.



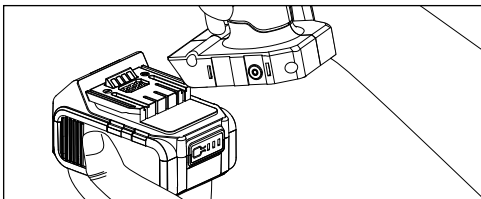
4. Insert the tip of the wire into wire guide C, through the gap of the feeding gears and all the way into the pipe (10-20 mm).

If the window is dirty and it is difficult to determine the position of the Wire Guide C, clean the inside of the window with a soft cloth. Close the window again to prevent the ingress of foreign bodies in the machine.



5. Push the release stopper and make sure that the release lever is back in original position, and that the feeding gears are clamping the wire.

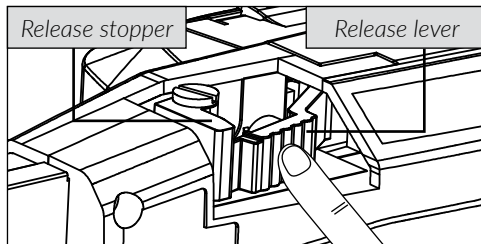
6. Make sure that the wire is tight and firm. Prevent the wire from curling up behind the wire coil. This may cause a jam.



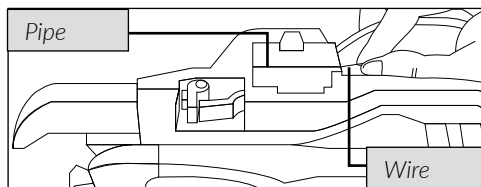
7. Insert battery into machine battery slot and set the main switch to ON. Release the trigger lock before starting to tie.

## Replacing Wire Coil

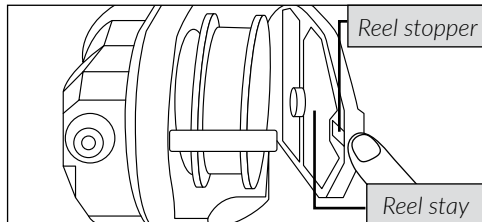
**Warning - Ensure trigger lock is on, power is switched off and battery removed.**



1. Push the release lever until it is caught by the release stopper.

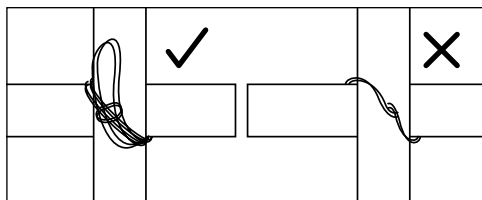


2. Remove the wire coil.



3. Push the reel stopper to release the reel stay and open it at the same time, remove the wire coil.

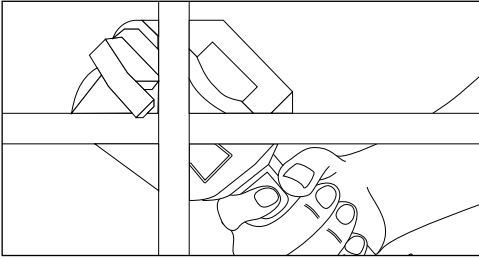
4. Load new wire coil (refer to previous instructions for loading wire coil).



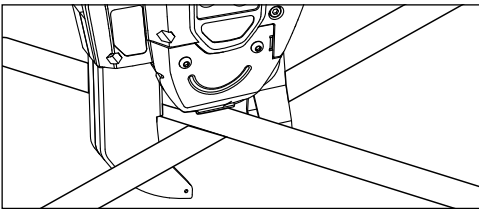
5. Perform a test tie, to check if the tie tension of set correctly.



## Correct Usage

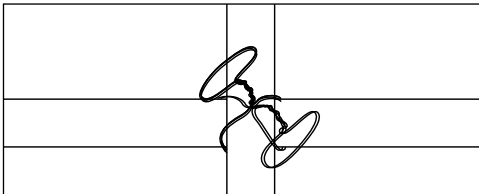


1. Place the arm A unit in a 45° angle over the rebar cross surface and push the mouth towards the rebar.



2. Place arm A perpendicularly on top of the rebar cross surface and with the mouth centred over the cross.

**Warning - Do not move the machine while it is tying.**



3. Cross-tying. Bend down the knot of the first tie, before you make the second tie.

## 5. Maintenance

Machine is equipped with advanced warning detection features. Please refer to Troubleshooting Guide on following page. If issue persists, contact an authorized service centre for diagnosis before further use.

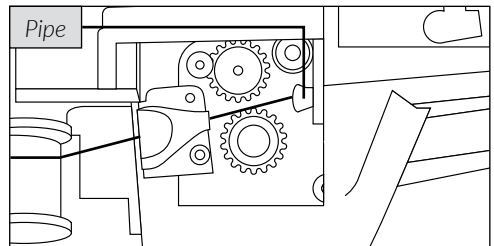
Never attempt to service machine other than general maintenance procedures below. Contact an authorized service centre if issues arise.

### Cleaning

Clean and check the machine on a regular basis.

Remove wire coil and clean the feeding gear, brake gear, and machine mouth areas after use to avoid dust and metal residue getting into the machine and causing problems. This can be done with an air blow gun.

Use air blow gun to also clean wire feeding channel by firing air through wire feed pipe as shown below.



If issue found with wire feed or wire cutting mechanism, use air blow gun to clean wire feeding channel by firing air through wire feed channel as above.

**Do not use oil based lubricants to clean product as this may void warranty.**

## 6. Storage

Machine must be kept at approx. 20°C. Do not store in cold conditions, store under warm and dry conditions.

Keep out of reach of children.

## 7. Troubleshooting Guide

No.	Normal Operation	Problem	Warning Sound	Cause	What to Check	Solution
1	Power on - The Tip Axis is initialized and the wire-cutter operates automatically.	No operation takes place.	No sound emitted.	Battery completely empty.	Confirm the battery is charged.	Perform normal charge.
			Continuous short beeps.	Electrode plate has been oxidized.	Take out the battery and see if the electrode is brown.	Polish terminal part of the battery pack with clean cloth, etc.
		Twister cannot go back to the initial state.	One short beep.	Battery is empty.	Confirm the battery is charged.	Perform normal charge.
			CONTACT AUTHORIZED SERVICE CENTRE			
2	Trigger ON - Wire sent out.	No wire is sent out.	Seven short beeps repeated.	CONTACT AUTHORIZED SERVICE CENTRE	CONTACT AUTHORIZED SERVICE CENTRE	
			Two short beeps.	Curl guide is open.	Open/close curl guide.	Fully close curl guide.
			Three short beeps repeated.	Tie wire has run out.	Check if the tie wire has run out.	Set the new tie wire.
				Wire caught inside reel.	Check if wire inside reel has been loosened and caught.	Remove fray on reel.
			A small bump on tie wire.	Feeding channel is blocked with foreign substance.	Check the feeding channel.	Remove wire and use air blow gun to clean wire feeding channel by firing air through wire feed pipe (refer Cleaning Section)
					Check tie wire.	Cut off the part of the tie wire with the small bump.
3	Binding wire draws a circle.	Curl is distorted and steps out of curl guide.	No sound emitted.	Wire, by hitting reinforcing bars, was repelled.	Check if wire hits reinforcing bars at binding.	Pay attention so that wire does not hit reinforcing bars at binding.

4	Wire is cut.	No wire cutting takes place.	No sound emitted.	Cutter section is blocked by foreign substance.	Confirm function of cutter section.	Remove wire and use air blow gun to clean wire feeding channel by firing air through wire feed pipe (refer Cleaning Section)
	Wire gets tangled.	Wire gets tangled.	No sound emitted. Seven short beeps repeated. Four short beeps repeated.	Wire, by hitting reinforcing bars, was repelled. Tie wire is tangled on the twister.	Check if wire hits reinforcing bars at binding. Check the twister for tangled wire.	Pay attention so that wire does not hit reinforcing bars at binding. Remove tangled wire from the twister.
5	Wire twisting takes place.	Binding power is weak.  Twisting-off tie head occurs.  Works properly.	No sound emitted.	CONTACT AUTHORIZED SERVICE CENTRE  Reinforcing bar is not of designated size. Tension setting is not at the right level. Erroneous handling such as improper application of machine. Reinforcing bar is not of designated size. Tension setting is not at the right level. Erroneous handling such as improper application of machine. Low power remains in the battery. The tool is used at high temperature.	Use appropriate diameter scope. Adjust the tension setting to a higher level. Adjust the tension setting to a higher level and ensure machine is held as per Correct Usage Section below. Use appropriate diameter scope. Adjust the tension setting to a lower level. Adjust the tension setting to a lower level and ensure machine is held as per Correct Usage Section below. Perform normal charge. Leave the tool and the battery pack at a cooler temperature for some time, then continue operation.	CONTACT AUTHORIZED SERVICE CENTRE  Use appropriate diameter scope. Adjust the tension setting to a higher level. Adjust the tension setting to a higher level and ensure machine is held as per Correct Usage Section below. Use appropriate diameter scope. Adjust the tension setting to a lower level. Adjust the tension setting to a lower level and ensure machine is held as per Correct Usage Section below. Perform normal charge. Leave the tool and the battery pack at a cooler temperature for some time, then continue operation.



**Leading distributor of specialist construction tools & equipment**

[www.rapidtool.com.au](http://www.rapidtool.com.au)