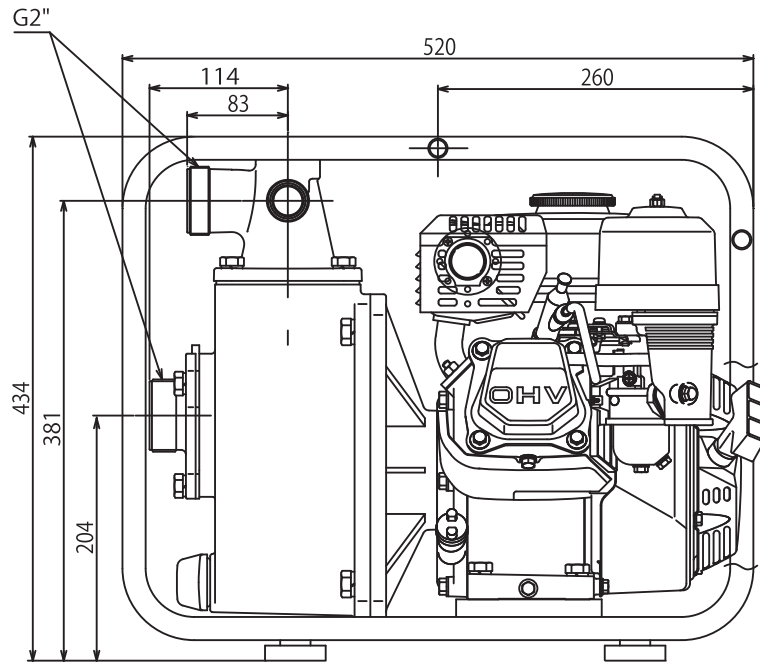
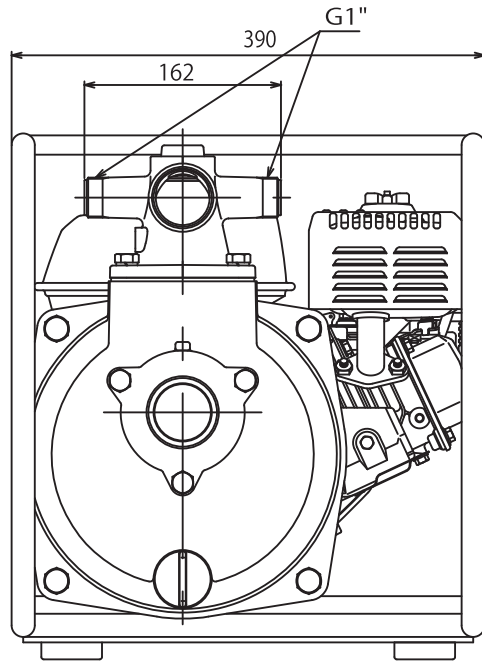
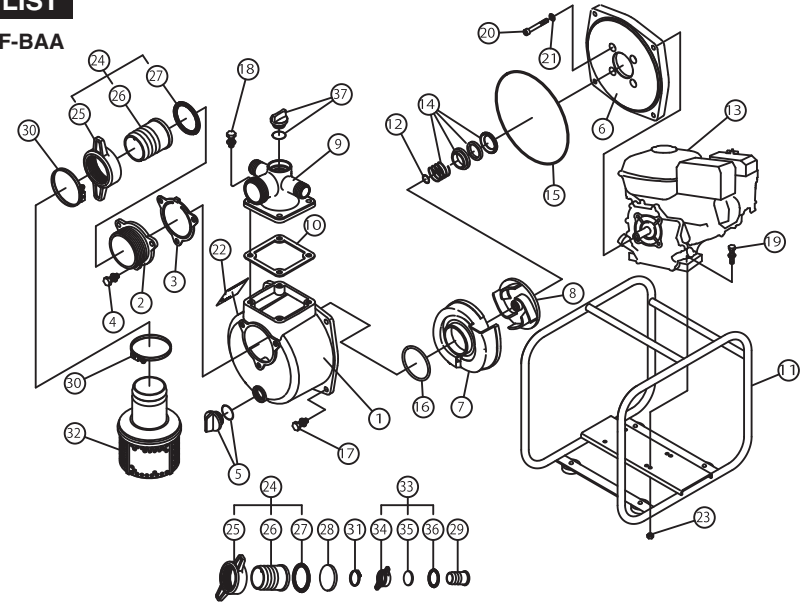


SERH-50F-BAA OUTLINE DRAWING



PARTS LIST

SERH-50F-BAA



SERH-50F-BAA

No.	PARTS CODE	PARTS NAME	QTY
1	0114184	PUMP CASING	1
2	0114003	SUCTION FLANGE	1
3	0112799	CHECK VALVE	1
4	743119061	HEXAGON BOLT M8X20	3
5	0118079	20A PLUG SET	1
6	0110568	FLANGE BRACKET	1
7	0112818	VOLUTE CASING	1
8	0112861	IMPELLER	1
9	0122099	DELIVERY FLANGE	1
10	0110584	DELIVERY FLANGE PACKING	1
11	0127025	BASE SET	1
12	0110491	IMPELLER ADJUSTING WASHER	3
13	-	ENGINE (HONDA GX160)	1
14	0110863	MECHANICAL SEAL	1
15	0115016	O-RING 1517-51.5	1
16	0113989	O-RING P74	1
17	743119078	HEXAGON BOLT M12x30	4
18	743119063	HEXAGON BOLT M10x30	4
19	743119053	HEXAGON BOLT M8x40	4
20	734532076	HEXAGON SOCKET BOLT M6x60	4
21	854255008	SEAL WASHER φ 8	4

No.	PARTS CODE	PARTS NAME	QTY
22	0122113	NAME PLATE	1
23	827419008	HEXAGON NUT M8	4
24	0117041	COUPLING SET(50)	1
25	0110355	COUPLING(50)	1
26	0112453	HOSE NIPPLE(50)	1
27	0110766	COUPLING PACKING(50)	1
28	0120486	CHECK PLATE(50)	1
29	0110423	HOSE NIPPLE(25)	2
30	940019060	HOSE BAND φ60	3
31	940019032	HOSE BAND φ32	2
32	0118047	STRAINER	1
33	0118009	CHECK COUPLING SET(25)	2
34	0110422	COUPLING(25)	2
35	0120485	CHECK PLATE(25)	2
36	0110192	COUPLING PACKING(25)	2
37	0118078	20A PLUG SET	1