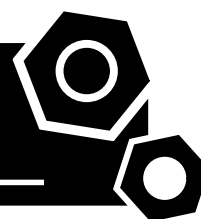


Generator set
Sound-proof type
WPS250S-AU

SPECIFICATIONS



1 Standards & Conditions

Design Standards

The designs and the productions are in conformity with:

- Conformance Européenne (CE)
- China Compulsory Certification (CCC)
- ISO8528-5:2005
- GB/T2820.5-2009
- AS 3000-1997
- AS 3010.1-1988

Environmental Operating Conditions

- Installation place: Outdoors or indoors (well ventilated).
- Ambient temperature: -25°C to 45°C. The coolant heater is needed when the temperature is below 5°C
- Humidity: Less than 90%.
- Altitude: Below one thousand (1000) meters above sea level.

Factory Inspection

- Inspection items.
- Protection devices working test.
- Starting ability in normal temperature.
- 50% rated power load moment capability.
- Voltage deviation and speed variation: 0%, 25%, 50%, 75%, 100%, 110% Load.

Painting Process

- Painting process specifications and colors are based on the manufacturer's standard.
- The customer could also choose the color which the manufacturer offers.

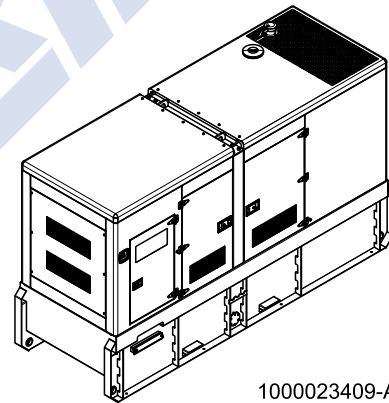
2 General Features

- Perkins engine 1306C-E87TAG6
- Close coupled to a Leroy somer alternator LSA46.2L6
- Microprocessor control module PLC-7420
- ABB main circuit breaker: 400A
- Rotate speed governor: Electronic fuel injection governor
- Excitation System: Self Excited,SHUNT
- A.V.R.Model: R250
- Key switch
- Emergency stop switch
- ATS (automatic transfer switch) receptacle
- Remote run connector

- 2x12V/120AH sealed for life maintenance free battery
- Lockable battery isolator switch
- Powder coated canopy
- 50°C radiator
- Oil pump on the engine
- Non-returning valve for fuel inlet hose of the engine
- Steel base frame with forklifts
- Vibration isolators between the engine/alternator and base frame
- Dry type air filter
- Base fuel tank for 24 hours running
- Drain points for fuel tank
- Breather valve for fuel tank
- Operation Manual / Specifications

3 Equipment Specification

General technical data

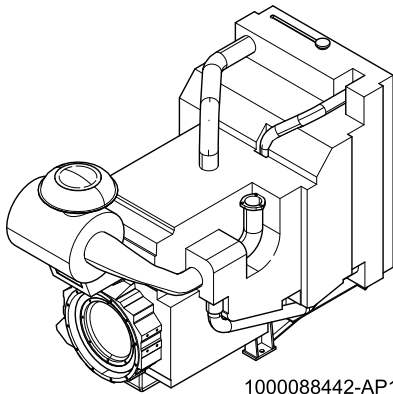


1000023409-AP1-C2

Model.....	WPS250S-AU
Structure type	R
Tank capacity.....	1300L
Dry weight.....	3377.6kg
Sound pressure level @ 1m/7m	83.8dB(A)/78dB(A)
Sound power acc. 2000/14/EC.....	106dB(A)
Dimensions L×W×H.....	3840x1324x2298mm
Standby Power	275kVA/220kW
Prime Power	250kVA/200kW
Voltage/Ampere.....	415V/348A

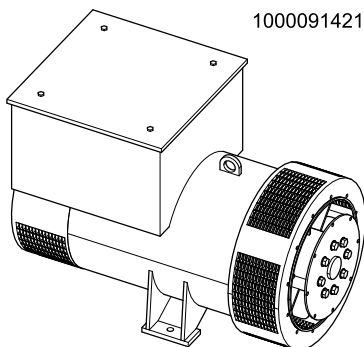
Genset Fuel Consumption					
Frequency/Load	25%	50%	75%	100%	110%
50Hz (L/h)	N/A	31.0	43.0	54.0	59.0

Power system



1000088442-AP1-A3

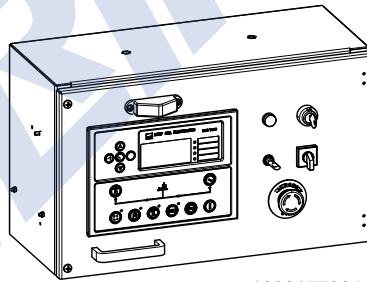
Engine Manufacturer/Brand.....	Perkins
Engine Model.....	1306C-E87TAG6
Dimensions L×W×H.....	1822×875×1369mm
Dry Weight (approx.)	671kg
Number of Cylinders.....	6
Bore.....	116.6mm
Stroke.....	135.9mm
Displacement.....	8.7L
Compression Ratio.....	16.9
Type of injection.....	Direct injection
Intake System.....	Turbocharged, air-to-air charge cooled
Intake Resistance.....	≤ 6.22kPa
Cooling System	Water cooled
Fan	Pusher
Battery Voltage.....	12/24V
Type of Fuel.....	EPA 2D 89.330-96
Type of Oil	API-CH-4, API-CG-4 or ACEA E3
Oil Capacity	28.3L
Type of Coolant	Glycol mixture
Back Pressure.....	≤10.7kPa
Heat Rejected To Exhaust System.....	180kW(10242BTU/min)
Heat Rejected To Water&Oil.....	98kW(5576BTU/min)
Standby Power.....	246kW
Prime Power.....	224kW
Fuel Consumption(100%load).....	54L/h



1000091421-AP1-A2

Alternator Manufacturer/Brand	Leroy Somer
Alternator Model	LSA46.2L6
Exciter.....	Brushless
Cooling Fan	Cast alloy aluminum
Windings.....	100% copper
Insulation Class	H
Winding Pitch.....	2/3
Terminals	12
Drip Proof	IP23
Altitude.....	≤1000m
Overspeed	2250rpm
Air Flow.....	0.43m³/s(50Hz), 0.51m³/s(60Hz)
Voltage Regulation	±0.5%
Total harmonic TGH / THCno load < 2.5 % - on load < 2.5%	
Telephone Interference.....	THF<2%;TIF<50

PLC-7420 Control System



1000177384-AP1-D3

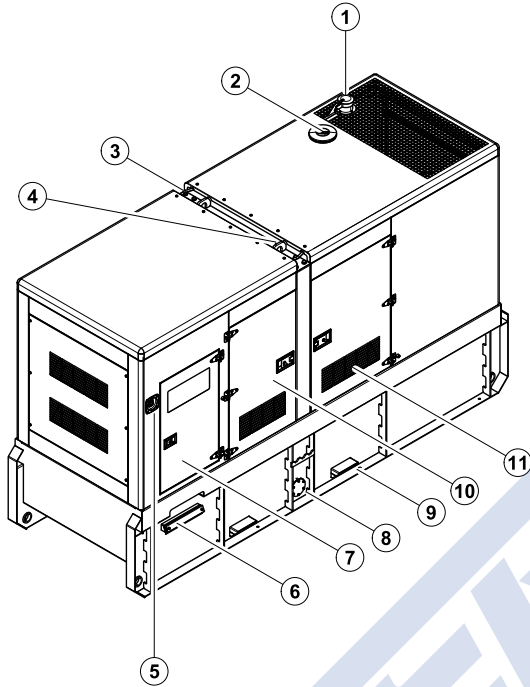
PLC-7420 is an advanced control module based on micro-processor, containing all necessary functions for protection of the genset and the breaker control. It can monitor the mains supply, and automatically start the engine when the mains is abnormal. Accurately measure various operational parameters and display all values and alarms information on the LCD. In addition, the control module can automatically shut down the engine and indicate the engine failure.

- Microprocessor control, with high stability and credibility
- Monitoring and measuring operational parameters of the mains supply and genset
- Indicating operation status, fault conditions, all parameters and alarms
- Multiple protections; multiple parameters display, like pressure, temp. etc.
- Manual, automatic and remote work mode selectable
- Real time clock for time and date display, overall runtime display, 250 log entries
- Overall power output display
- Integral speed/frequency detecting, telling status of start, rated operation, overspeed etc.
- Communication with PC via RS485 OR RS232 interface, using MODBUS protocol

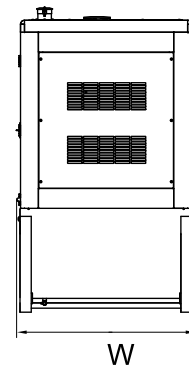
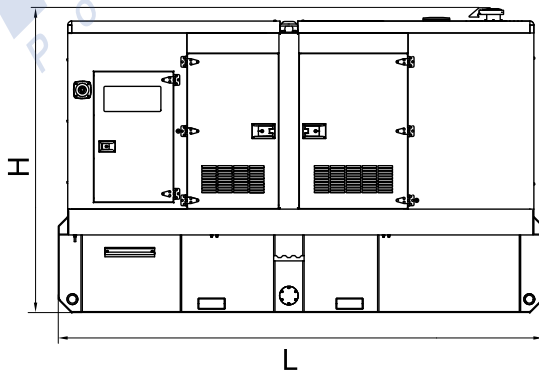
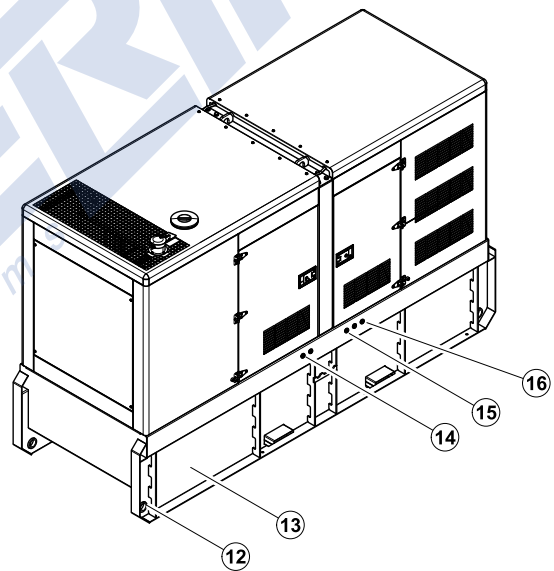
4 Overall Dimensions

1000023409-DR1-C2

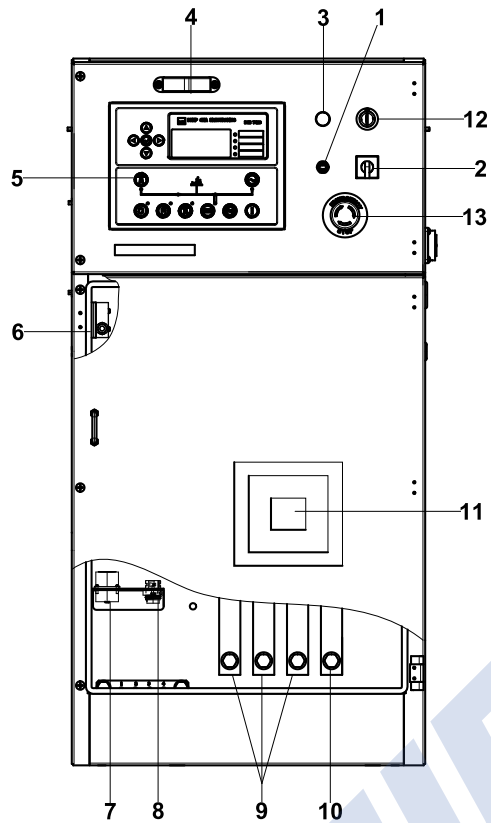
Dry weight	3377.6kg
Fuel tank capacity	1300L
Dimensions L x W x H	3840x1324x2298mm



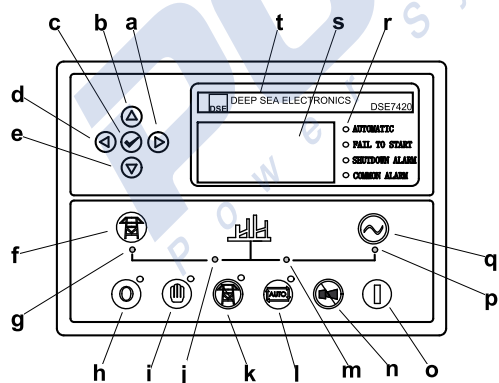
- ⑧ Fuel drain
- ⑦ Control cabinet
- ⑥ Cable trench
- ⑤ Emergency stop switch
- ④ Lifting lug
- ③ Roping lug
- ② Coolant inlet
- ① Exhaust gas outlet
- ⑬ Base frame
- ⑫ Tie down
- ⑪ Air inlet
- ⑩ Access door
- ⑨ Fork lift channel
- ⑮ Oil drain hose fitting
- ⑭ Coolant drain hose fitting



5 Control System



Control & Field wiring cabinet



Control module

Ref.	Description
1	Control cabinet lamp switch
2	Mains input changeover switch
3	Charge indicator
4	Control cabinet lamp
5	Control module
6	Limit switch
7	ATS communication interface
8	Remote communication interface
9	Live wire terminals
10	Neutral wire terminal
11	Main circuit breaker
12	Key switch
13	Emergency stop switch

a	Button (next page)
b	Button (increase value / previous item)
c	Button (accept)
d	Button (previous page)
e	Button (decrease value / next item)
f	Button (transfer the load to the mains supply, when in Manual mode only)
g	Mains supply available LED
h	Stop / Reset button
i	Manual button (Manual control mode)
j	Mains supply on load LED
k	Test button (Test mode)
l	Auto button (Auto mode)
m	Genset on load LED
n	Mute/Lamp test button
o	Start button (Manual)
p	Genset available LED
q	Button (transfer the load to the genset, when in Manual mode only)
r	Alarm LED (4 alarm items)
s	LCD display
t	Control module name

100023409-C2-E

07.2013

POWERLINK[®]
Power Systems

<http://www.powerlinkworld.com>

*Specification may change without prior notice. For more info.,
contact Power Link or your local distributors please.*