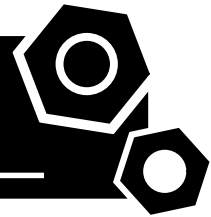


**Generator set**  
**Containerized type**  
**GMS750CS-AU**

# **SPECIFICATIONS**



## 1 Standards & Conditions

### Design Standards

The designs and the productions are in conformity with:

- Conformance European (CE)
- China Compulsory Certification (CCC)
- ISO8528-5:2005
- GB/T2820.5-2009
- AS 3000-1997
- AS 3010.1-1988

### Environmental Operating Conditions

- Installation place: Outdoors or indoors (well ventilated).
- Ambient temperature: -25°C to 45°C. The coolant heater is needed when the temperature is below 5°C
- Humidity: Less than 90%.
- Altitude: Below one thousand (1000) meters above sea level.

### Factory Inspection

- Inspection items.
- Protection devices working test.
- Starting ability in normal temperature.
- 50% rated power load moment capability.
- Voltage deviation and speed variation: 0%, 25%, 50%, 75%, 100%, 110% Load.

### Painting Process

- Painting process specifications and colors are based on the manufacturer's standard.
- The customer could also choose the color which the manufacturer offers.

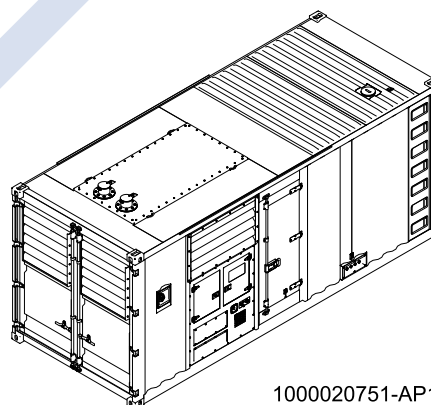
## 2 General Features

- Cummins engine KTA38G2
- Close coupled to a Stamford alternator LVI634B
- Microprocessor control module PLC-7320
- ABB main circuit breaker: 3-Phase 1250A
- Rotate speed governor: Electrical governor FP801
- Excitation System: Self Excited, SHUNT
- A.V.R. Model: MX321
- Key switch

- Emergency stop switch
- ATS (automatic transfer switch) receptacle
- Remote run connector
- 2x12V sealed for life maintenance free battery
- Lockable battery isolator switch
- Powder coated canopy
- 50°C radiator
- Oil pump on the engine
- Non-returning valve for fuel inlet hose of the engine
- Steel base frame with forklifts
- Vibration isolators between the engine/alternator and base frame
- Dry type air filter
- Base fuel tank for 8 hours running
- Drain points for fuel tank
- Breather valve for fuel tank
- Operation Manual / Specifications

## 3 Equipment Specification

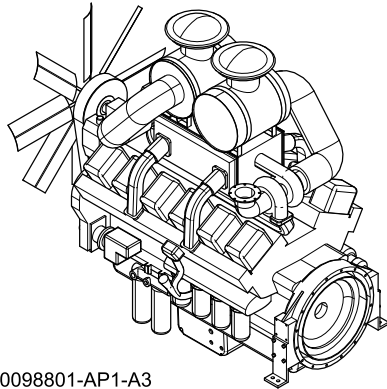
### General technical data



1000020751-AP1-C3

Model.....	GMS750CS-AU
Structure type .....	C
Tank capacity.....	1150L
Dry weigh.....	12107kg
Noise level @7m .....	N/A
Dimensions L×W×H.....	6058x2438x2730mm
Standby Power .....	775kVA/620kW
Prime Power .....	750kVA/600kW
Voltage/Ampere .....	415V/1043A

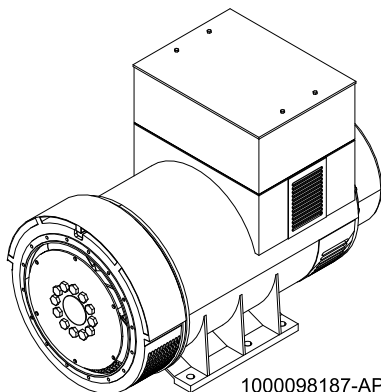
## Diesel engine



1000098801-AP1-A3

Engine Manufacturer/Brand.....	Cummins
Engine Model.....	KTA38G2
Dimensions L×W×H.....	2260.5×1338.9×2332.7mm
Dry Weigh (approx.).....	3723kg
Number of Cylinders.....	12
Bore.....	159mm
Stroke.....	159mm
Displacement.....	37.8L
Compression Ratio.....	14.5
Type of injection.....	Direct injection
Intake System.....	Turbocharged
Intake Resistance.....	≤6.23KPa
Cooling System.....	Water cooled
Fan.....	Pusher
Battery Voltage.....	24V
Type of Fuel.....	No.2 or ASTM D975
Type of Oil.....	APICD/SE or CCMCD4
Oil Capacity.....	135L
Type of Coolant.....	Glycol mixture
Coolant Capacity.....	210L
Back Pressure.....	≤10KPa
Standby Power.....	731kW
Prime Power.....	664kW
Fuel Consumption(100%load).....	167L/h

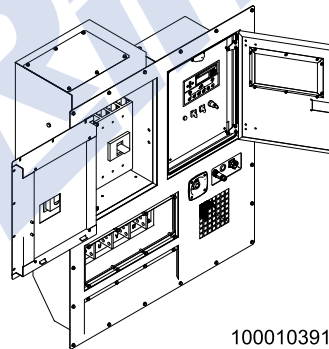
## Alternator



1000098187-AP1-A3

Alternator Manufacturer/Brand.....	Stamford
Alternator Model.....	LVI634B
Exciter.....	Brushless
Cooling Fan.....	Cast alloy aluminum
Windings.....	100% copper
Insulation Class.....	H
Winding Pitch.....	2/3
Terminals.....	12
Drip Proof.....	IP23
Altitude.....	≤1000m
Overspeed.....	2250rpm
Air Flow.....	2.18m³/s(50Hz),2.63m³/s(60Hz)
Voltage Regulation.....	±0.5%
Total Harmonic TGH / THCat no load < 1.5 % - on load < 5%	
Telephone Interference.....	THF<2%;TIF<50

## PLC-7320 Control System



1000103915-AP1-B3

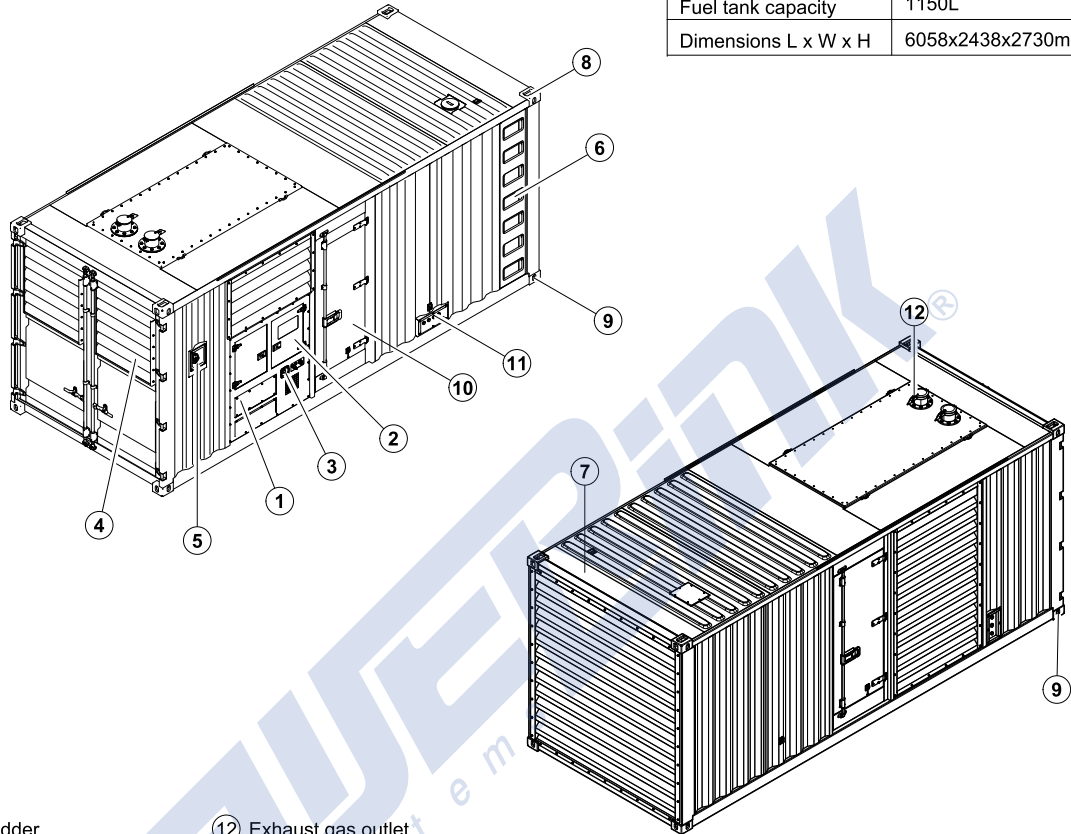
PLC-7320 is an advanced control module based on micro-processor, containing all necessary functions for protection of the genset and the breaker control. It can monitor the mains supply, and automatically start the engine when the mains is abnormal. Accurately measure various operational parameters and display all values and alarms information on the LCD. In addition, the control module can automatically shut down the engine and indicate the engine failure.

- Microprocessor control, with high stability and credibility
- Monitoring and measuring operational parameters of the mains supply and genset
- Indicating operation status, fault conditions, all parameters and alarms
- Multiple protections; multiple parameters display, like pressure, temp. etc.
- Manual, automatic and remote work mode selectable
- Real time clock for time and date display, overall runtime display, 250 log entries
- Overall power output display
- Integral speed/frequency detecting, telling status of start, rated operation, overspeed etc.
- Communication with PC via RS485 OR RS232 interface, using MODBUS protocol

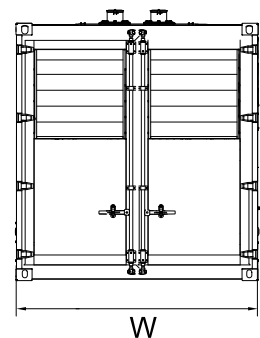
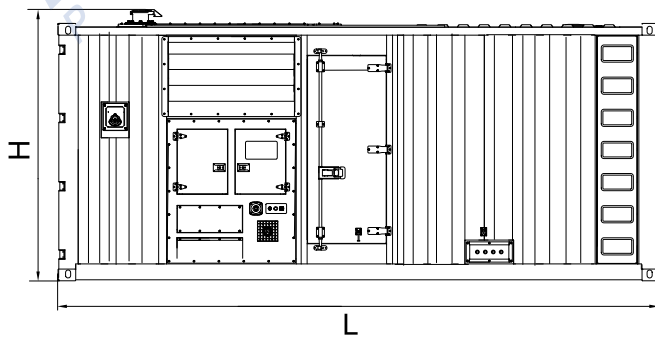
## 4 Overall Dimensions

1000020751-DR1-C3

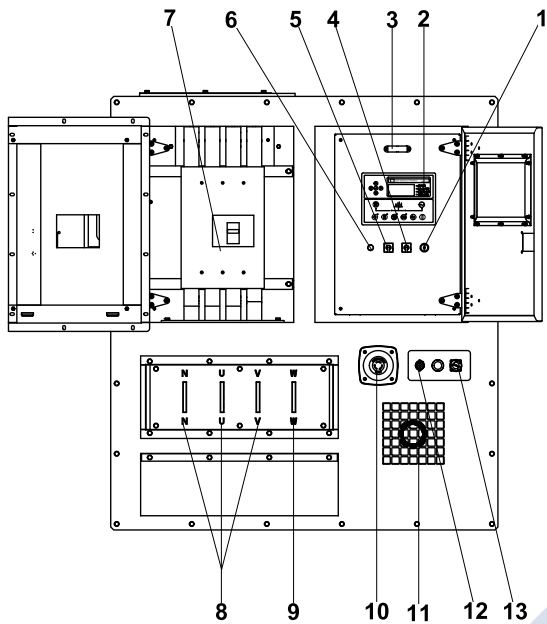
Dry weight	12107kg
Fuel tank capacity	1150L
Dimensions L x W x H	6058x2438x2730mm



- ⑥ Ladder
- ⑤ Fuel inlet
- ④ Air inlet
- ③ Emergency stop switch
- ② Control cabinet
- ① Cable trench
- ⑫ Exhaust gas outlet
- ⑪ External fuel inlet/Return hose fitting  
Coolant/Oil drain hose fitting
- ⑩ Access door
- ⑨ Fixing lug
- ⑧ Lifting lug
- ⑦ Canopy

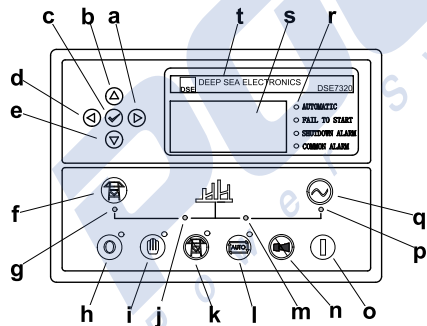


## 5 Control System



Ref.	Description
1	Key switch
2	Control module
3	Control cabinet lamp
4	Control cabinet lamp switch
5	Mains input changeover switch
6	Charge indicator
7	Main circuit breaker
8	Live wire terminals
9	Neutral wire terminal
10	Emergency stop switch
11	Alarm indicator
12	Remote run connector
13	ATS connector

**Control & Field wiring cabinet**



**Control Panel**

a	Button (next page)
b	Button (increase value / previous item)
c	Button (accept)
d	Button (previous page)
e	Button (decrease value / next item)
f	Button (transfer the load to the mains supply, when in Manual mode only)
g	Mains supply available LED
h	Stop / Reset button
i	Manual button (Manual control mode)
j	Mains supply on load LED
k	Test button (Test mode)
l	Auto button (Auto mode)
m	Genset on load LED
n	Mute/Lamp test button
o	Start button (Manual)
p	Genset available LED
q	Button (transfer the load to the genset, when in Manual mode only)
r	Alarm LED (4 alarm items)
s	LCD display
t	Control module name

100020751-C3-E
----------------

02.2012
---------

**POWERLINK**<sup>®</sup>  
Power Systems

<http://www.powerlinkworld.com>

*Specification may change without prior notice. For more info., contact Power Link or your local distributors please.*