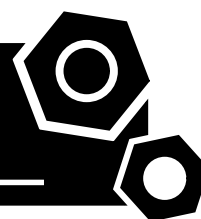


Generator set
Sound-proof type
GMS175CS-AU

SPECIFICATIONS



1 Standards & Conditions

Design Standards

The designs and the productions are in conformity with:

- Conformance Européenne (CE)
- China Compulsory Certification (CCC)
- TLC Quality Certification (TLC)
- ISO8528-1995
- GB/T2820-1997
- AS 3000-1997
- AS 3010.1-1988

Environmental Operating Conditions

- Installation place: Outdoors or indoors (well ventilated).
- Ambient temperature: -25°C to 50°C. The coolant heater is needed when the temperature is below 5°C
- Humidity: Less than 90%.
- Altitude: Below one thousand (1000) meters above sea Level.

Factory Inspection

- Inspection items.
- Protection devices working test.
- Starting ability in normal temperature.
- 50% rated power load moment capability.
- Voltage deviation and speed variation: 0%, 25%, 50%, 75%, 100%, 110% Load.

Painting Process

- Painting process specifications and colors are based on the manufacturer's standard.
- The customer could also choose the color which the manufacturer offers.

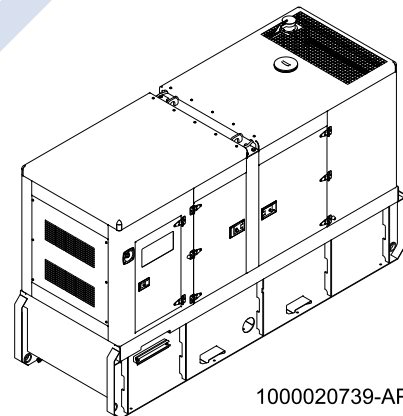
2 General Features

- Cummins engine 6CTA8.3G2
- Close coupled to a Stamford alternator UCI274G
- **Deepsea DSE7420 control module**
- **4 Pole ABB Tmax Circuit breaker: 400A**
- Rotate speed governor: Electrical governor S6700E
- Excitation System: Self Excited SHUNT
- A.V.R. Model: AS440
- Key switch

- Emergency stop switch
- ATS (automatic transfer switch) receptacle
- Remote run connector
- 2x12V sealed for life maintenance free battery
- Lockable battery isolator switch
- Powder coated canopy
- 50°C radiator
- Oil pump on the engine
- Non-returning valve for fuel inlet hose of the engine
- Steel base frame with forklifts
- Vibration isolators between the engine/alternator and base frame
- Dry type air filter
- Base fuel tank for 24 hours running
- Drain points for fuel tank
- Breather valve for fuel tank
- Operation Manual / Parts List / Specifications

3 Equipment Specification

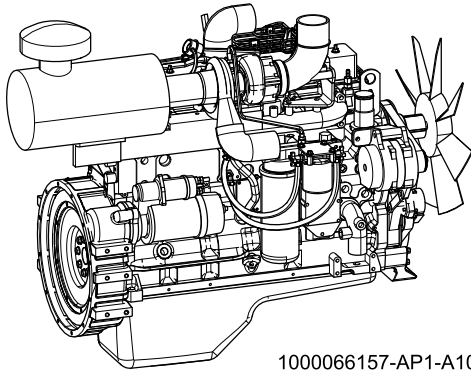
General technical data



1000020739-AP1-A7

Model.....	GMS175CS-AU
Structure type	R
Tank capacity.....	1200L
Dry weight.....	2857kg
Noise level @7m	63.3dBA
Dimensions L×W×H.....	3500×1250×2160mm
Standby Power	193kVA/154kW
Prime Power	175kVA/140kW
Voltage/Ampere	415V/243A

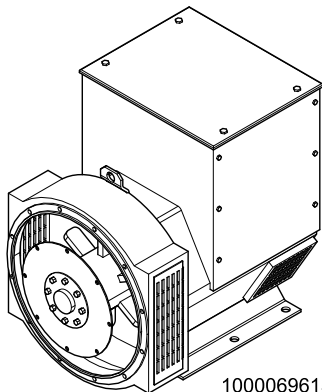
Diesel Engine



1000066157-AP1-A10

Engine Manufacturer/Brand	Cummins
Engine Model	6CTA8.3G2
Dimensions L×W×H.....	1128x740x1084mm
Dry Weigh (approx.)	629kg
Number of Cylinders	6
Bore	114mm
Stroke	135mm
Displacement	8.3L
Compression Ratio	16.5
Type of injection.....	Direct injection
Intake System.....	Turbocharged,water-to-air charge cooled
Intake Resistance	≤6.28kPa
Cooling System	Water cooled
Fan	Pusher
Battery Voltage	12/24V
Type of Fuel.....	0# or -10# light diesel
Type of Oil	15W40-CF4
Oil Capacity	24L
Type of Coolant	Glycol mixture
Coolant Capacity	38L
Back Pressure	≤10.1kPa
Standby Power	180kW
Continuous Power	163kW
Fuel Consumption(100%load)	210g/kW.h

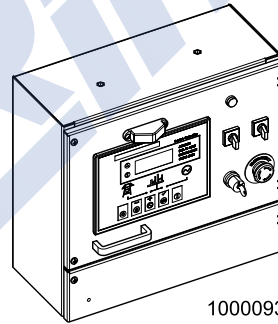
Alternator



1000069615-AP1-A1

Alternator Manufacturer/Brand	Stamford
Alternator Model	UC1274G
Exciter.....	Brushless
Cooling Fan	Cast alloy aluminum
Windings.....	100% copper
Insulation Class	H
Winding Pitch.....	2/3
Terminals	12
Drip Proof	IP23
Altitude.....	≤1000m
Overspeed	2250rpm
Air Flow.....	0.514m³/s(50Hz),0.617m³/s(60Hz)
Voltage Regulation	±1.0%
Total harmonic TGH / THCat no load < 1.5 % - on load < 5%	
Telephone Interference.....	THF<2%;TIF<50

PLC-5220 Control System



1000093751-AP1-A1

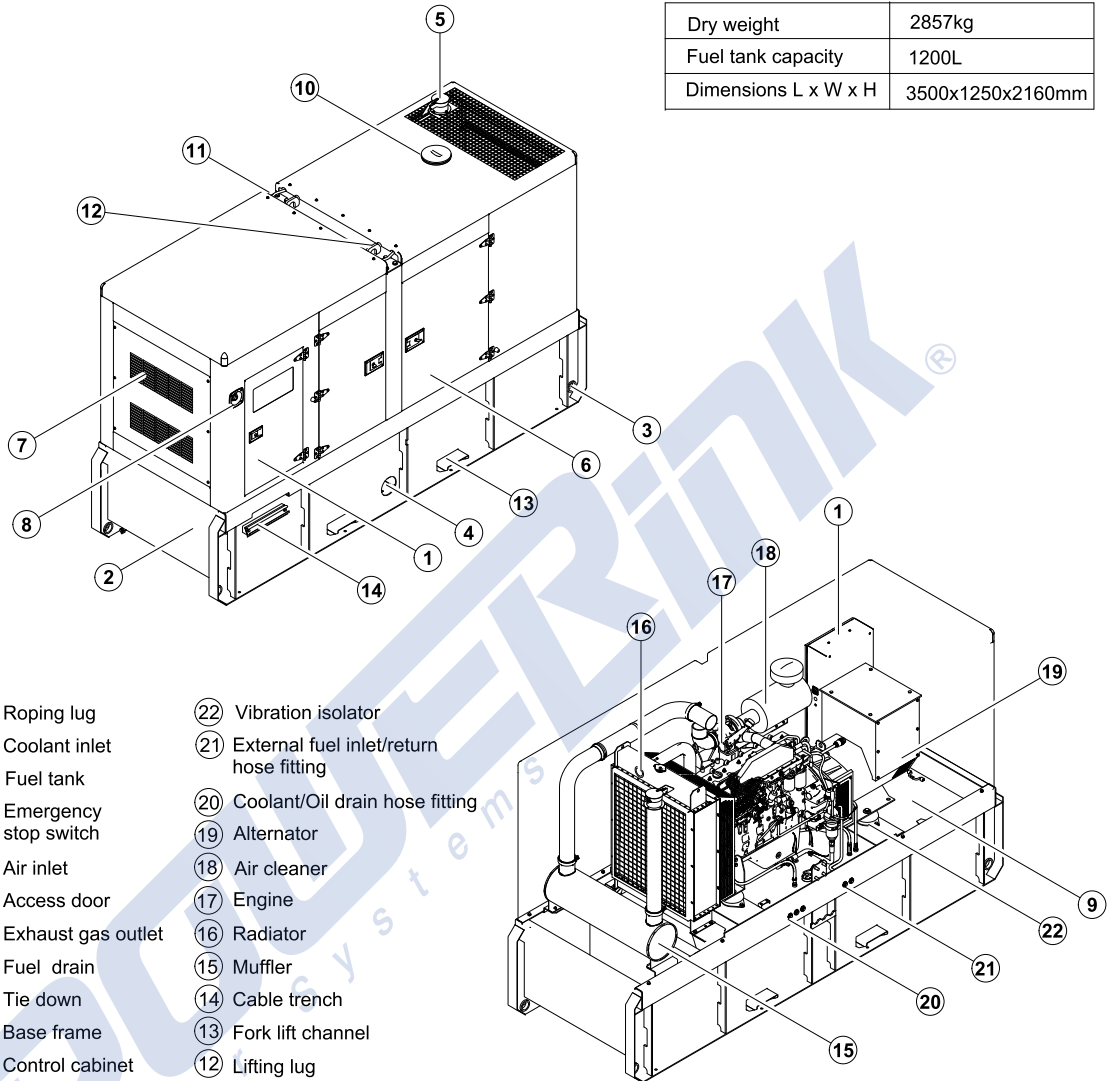
PLC-5220 is an automatic mains failure control module. It is used to monitor the mains supply and automatically start and stop the engine. The module indicates the operational status and fault conditions, automatically shutting down the engine and indicating engine failure on the LCD.

- Microprocessor control, with high stability and credibility
- Mains supply and generator operation monitoring
- Indicating operation status and fault conditions
- Multiple protections; multiple parameters display, like pressure, temp.
- Manual and automatic work mode selectable
- Real time clock for time and date display, overall runtime display, 99 log entries
- Overall power output display
- Integral speed/frequency detecting, telling status of start, rated operation, overspeed
- Communication with PC via RS485 OR RS232 interface, using MODBUS protocol

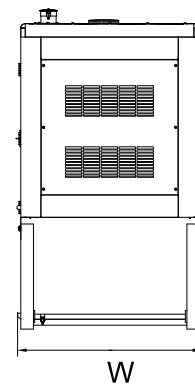
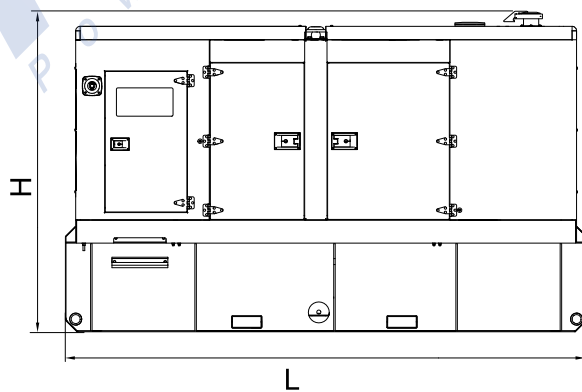
4 Overall Dimensions

1000020739-DR1-A7

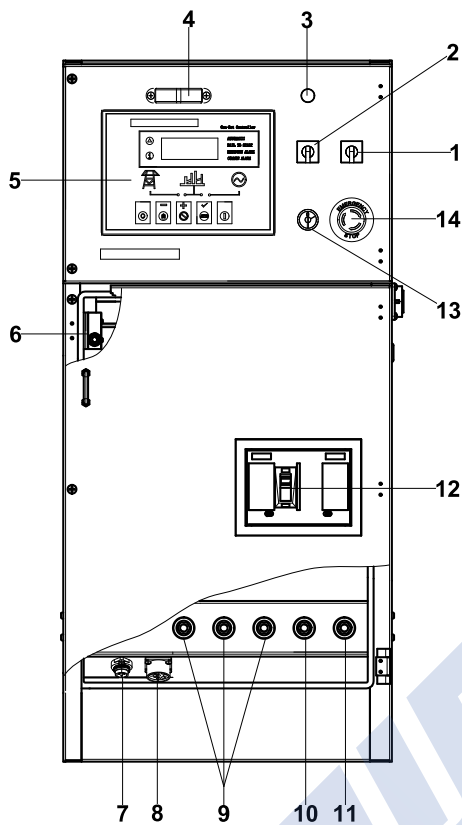
Dry weight	2857kg
Fuel tank capacity	1200L
Dimensions L x W x H	3500x1250x2160mm



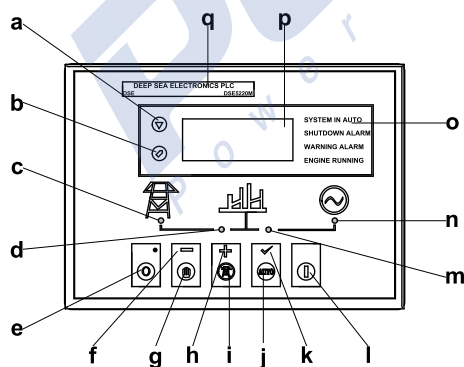
- ① Roping lug
- ② Vibration isolator
- ③ External fuel inlet/return hose fitting
- ④ Coolant/Oil drain hose fitting
- ⑤ Alternator
- ⑥ Air inlet
- ⑦ Air cleaner
- ⑧ Engine
- ⑨ Radiator
- ⑩ Access door
- ⑪ Muffler
- ⑫ Fuel drain
- ⑬ Cable trench
- ⑭ Fork lift channel
- ⑮ Lifting lug
- ⑯ Exhaust gas outlet
- ⑰ Fuel tank
- ⑱ Emergency stop switch
- ⑲ Control cabinet
- ⑳ Control cabinet
- ㉑ Control cabinet
- ㉒ Control cabinet



5 Control System



Control & Field wiring cabinet



Control Panel

Ref.	Description
1	Control cabinet lamp switch
2	Mains input changeover switch
3	Charge indicator
4	Control cabinet lamp
5	Control module
6	Limit switch
7	Remote run connector
8	ATS connector
9	Live wire terminals
10	Neutral wire terminal
11	Ground wire terminal
12	Main circuit breaker
13	Key switch
14	Emergency stop switch

a	Scroll button
b	Information button(Change the display page)
c	Mains supply available LED
d	Mains supply on load LED
e	Stop/Reset button
f	Decrease (Configuration mode only)
g	Manual button (Manual control mode)
h	Increase (Configuration mode only)
i	Test button (Test mode)
j	Auto button (Auto mode)
k	Accept (Configuration mode only)
l	Start button
m	Genset on load LED
n	Genset available LED
o	Text insert
p	LCD display
q	Control module name

1000020739-A7-E
09.2010

POWERLINK
Power Systems

Power Link Machine (Shanghai) Co., Ltd
NO.576,Guanghua Road, Songjiang Science & Technology
Park,
Shanghai,China

Fax:86-21-57858750

E-mail:info@powerlinkgenset.com

Tel: 86-21-57858485

Specification may change without prior notice.

For more info., please contact Power Link or your local distributors.

Local Distributor

