



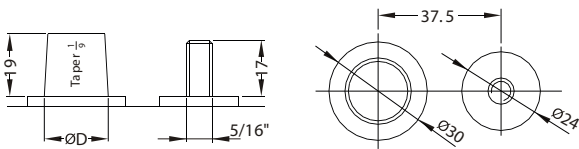
## PS-6V210

6 Volt 210 AH @ 20-hr. rate

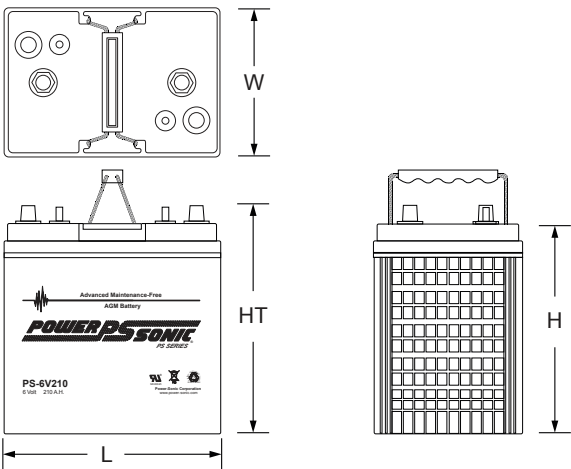
Rechargeable Sealed Lead Acid Battery  
Designed for Cyclic, Standby, and Solar Applications



### Terminals - SAE Studs (Pos: 19.5mm, Neg:17.9mm)



### Physical Dimensions: in (mm)



L: 10.24 (260) W: 7.09 (180) H: 9.92 (252) HT: 10.79 (274)

Tolerances are +/- 0.04 in. (+/- 1mm) and +/- 0.08 in. (+/- 2mm) for height dimensions. All data subject to change without notice.

### Features

- **Maintenance-Free, Non-Spillable** - Proven VRLA technology guarantees safe operation without maintenance and 'nonrestricted article' status for air, land or water transportation.
- **Charging** - Battery can be charged in any orientation/position (upside down not recommended)
- **Long Service Life** - High capacity design, excellent deep cycle property.
- **Low Internal Resistance** - High strength conductive terminals for high current discharging.
- **Designed-in Reliability** - Cutting-edge manufacturing and process control combined with meticulous quality assurance procedures guarantee consistent and dependable performance.

### Performance Specifications

**Nominal Voltage** .....6 volts (3 cells)

#### Nominal Capacity

20-hr. (10.5A to 5.40 volts) ..... 210 AH

5-hr. (37.0A to 5.25 volts) ..... 185 AH

**Approximate Weight** ..... 67 lbs. (30.4 kg)

**Reserve Capacity (25 Amps)** ..... 475 min.

**Reserve Capacity (75 Amps)** ..... 124 min.

#### Charge Methods (Constant voltage charging at 20°C (68°F))

Standby (Max. charge current: 0.25C<sub>10A</sub>) ..... 6.80-6.90V

Cyclic (Max. charge current: 0.25C<sub>10A</sub>) ..... 7.20-7.35V

#### Operating Temperature Range

Charge ..... -14°F (-10°C) to 122°F (50°C)

Discharge ..... -4°F (-20°C) to 140°F (60°C)

**Case** ..... ABS Plastic

### Cycle Life in Relation to Depth of Discharge

