

The OceanLED Sport series is the perfect choice for fishing and cruising in small to medium sized boats.

KEY FEATURES



Up To 3,000 Fixture Lumens



90° Top Beam



20° Side Beam



Rectangular Beam

COLOUR PART#

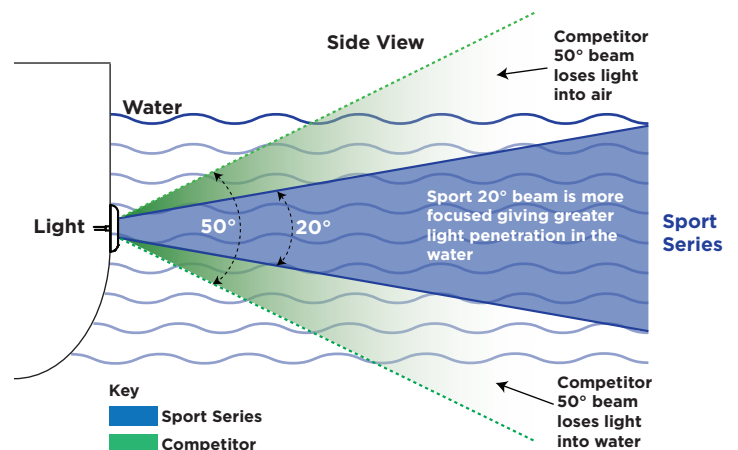


Dual White/Blue
012103BW

Advanced optics, designed exclusively by OceanLED create an optically efficient 90° top beam angle with a focused 20° side beam displaying a striking amount of water penetration and a significantly larger illuminated area.

With twice the amount of LEDs as its competitors, the dual colour S3124s is the leader in its class. Simply toggle the power between white, blue, strobe and fade modes.

- Twice the amount of LEDs than its competitors, illuminating a larger area.
- 60% narrower focused side beam angle providing greater water penetration.
- True 90° beam angle with no fading at the edge gives better illumination.



5,600 LUMENS / 3,000 FIXTURE LUMENS

Outstanding performance from this small, bright light makes it the obvious choice for those who want to stand out from the crowd.

90°/20° BEAM ANGLE

A true wide-angled, focused beam lights up a large area of the water.

COMPACT AND SIMPLE DESIGN

Made from corrosion resistant Alu Bronze, there is a lot packed into this 10cm light.

SIMPLE TO INSTALL

12.5mm hole in the hull to feed the cable through and 3 screws to hold in place. No bonding required.

EASY TO CLEAN

Thanks to its Tritonium coating, a simple wipe of the lens removes any underwater growth, saving hours of scrubbing each time you use it.

ADVANCED MODES

Randomised strobing with fish-strobe and fade between blue/white. Select your desired startup colour.

ACTIVE THERMAL CONTROL

ATC prevents overheating. In the event of overheating the ATC system will reduce the LED power level in order to protect the LEDs, or in extreme cases, turn off the fixture completely.

S3124s SPECIFICATIONS

BOX CONTENTS

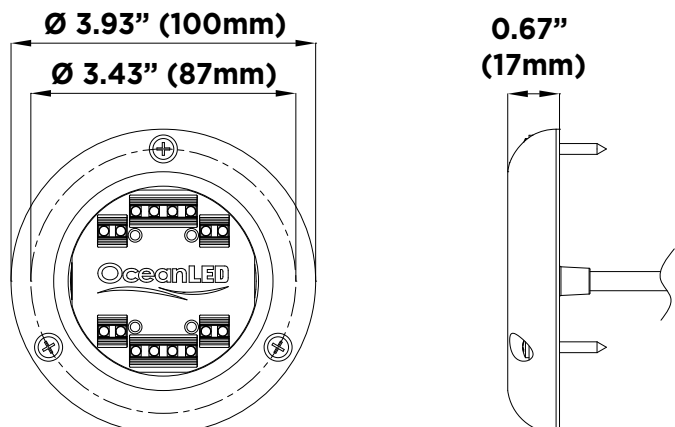
Sport Series LED Light and Cable

In-line Fuse Kit

Mounting Screws

Quick Install Guide

ACCESSORIES	PART
4 Way V DC Power Junction Box	019901
MOUNTING RECOMMENDATIONS	
Boat size	Up to 65' (20m)
Transom / Hull spacing	2-4' (0.5-1.2m)
Transom quantity	2-6
Installation depth (To top of fixture)	8-10" (20-25cm)
TECHNICAL	
Lumens	5600
Fixture Lumens	3000
Typical LED life expectancy	40,000+ Hours
Minimum-Maximum operating voltage DC	9-32V DC
Current / Amp draw (DC) (Amperage draw for Colours models vary by colour selected, this is the maximum)	12V DC 3.6A 24V DC 1.7A
Driver type	Internal, Reverse Polarity Protected
PHYSICAL	
Total weight	700g
Extension cable length (standard)	9.84' (3m)
Hole cut-out for cable entry	0.5" (12.5mm)
Material	AB2 Aluminium Bronze



*Fixture Lumens rating is a measurement of total white light output from a complete (as sold) light fixture using laboratory standard, calibrated photometric measuring equipment.