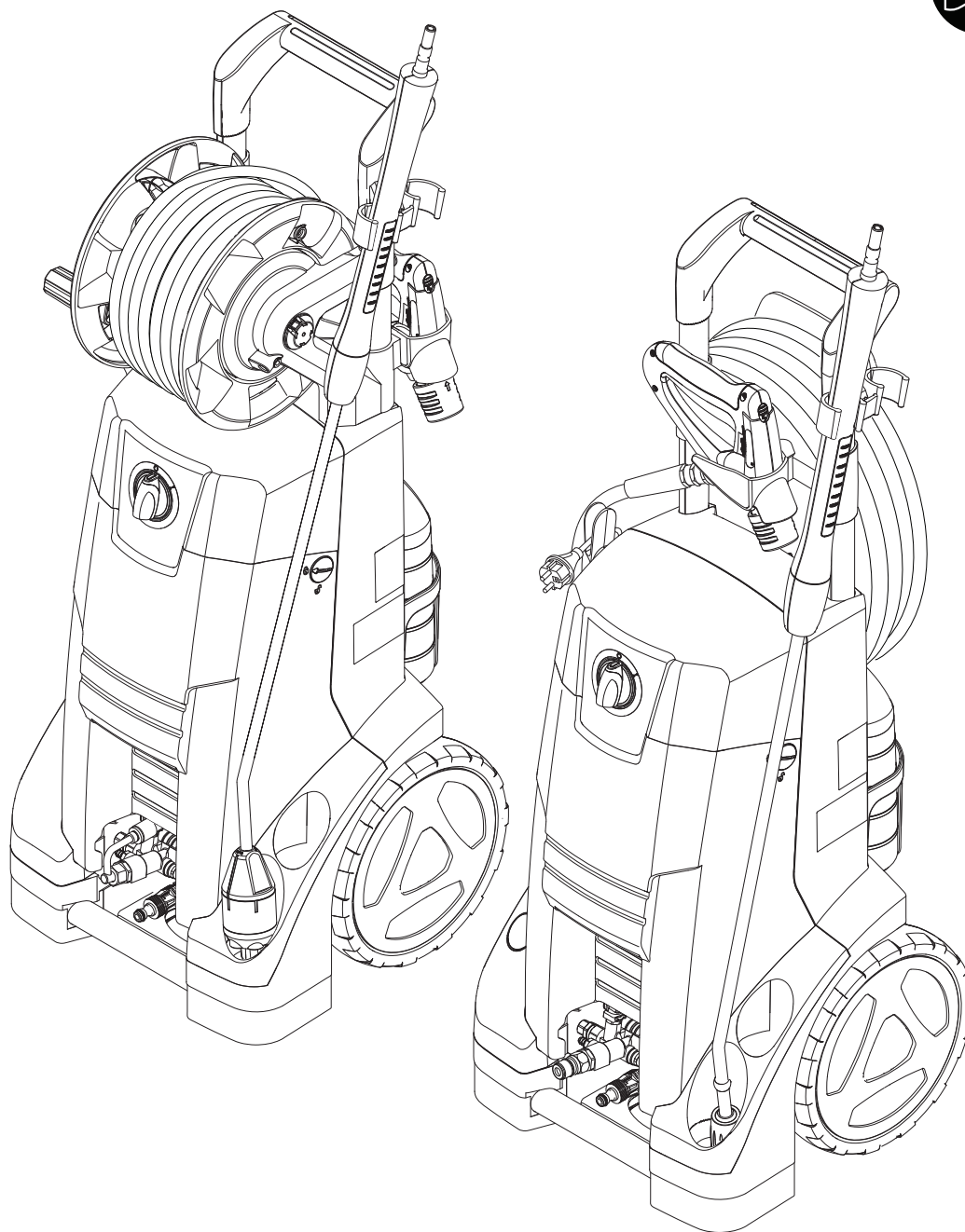


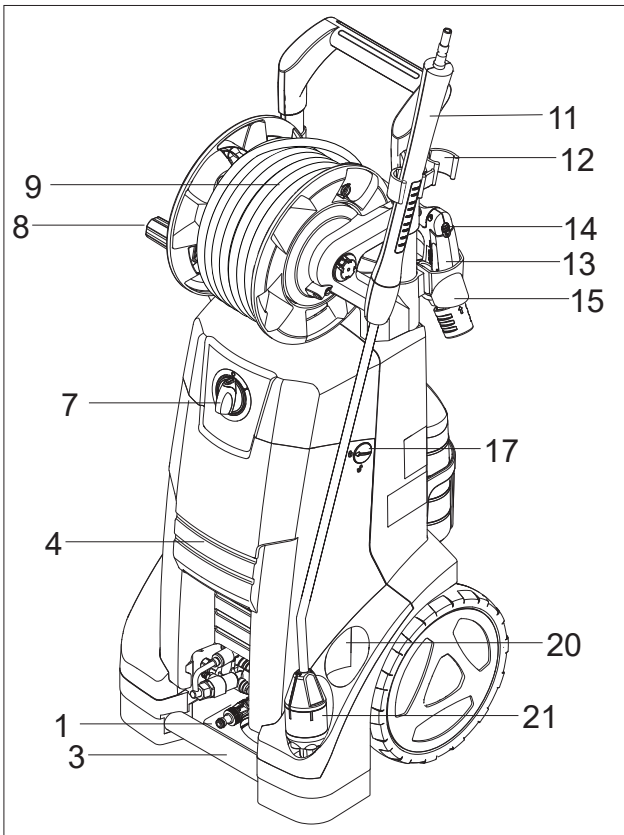
MC 3C - MC 4M

Instructions for use

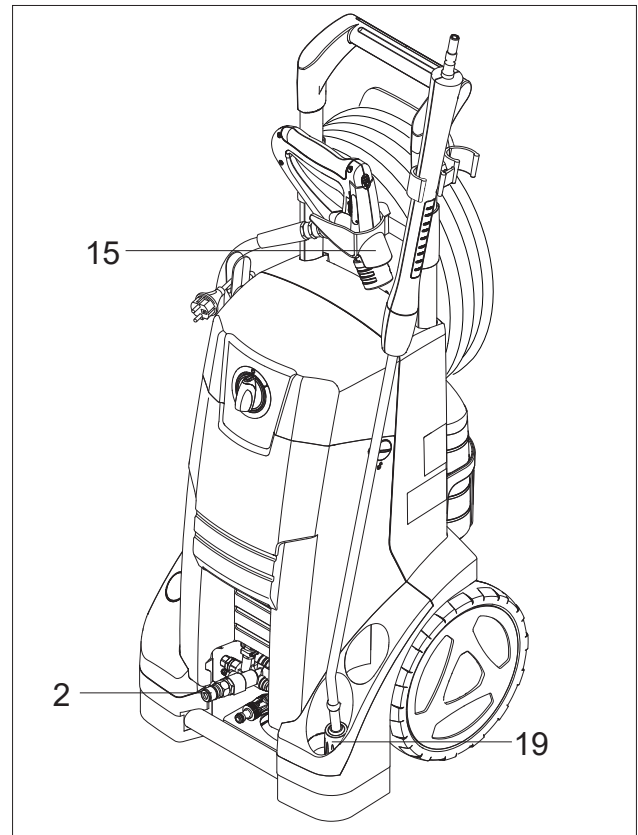


EN	Operating instructions	9
DE	Bedienungsanweisungen	11
FR	Instructions de fonctionnement	14
NL	Gebruiksaanwijzingen	17
IT	Istruzioni per l'uso	20
NO	Bruksanvisning	23
SV	Bruksanvisning	26
DA	Betjeningsvejledning	28
FI	Käyttöohje	30
ES	Instrucciones de funcionamiento	33
PT	Instruções de Funcionamento	36
EL	Οδηγίες λειτουργίας	39
TR	Kullanma Talimatları	42
SL	Navodila za delovanje	46
HR	Upute za uporabu	49
SK	Návod na obsluhu	52
CS	Návod k obsluze	55
PL	Instrukcje dotyczące obsługi	58
HU	Használati útmutató	61
RO	Instrucțiuni de utilizare	64
BG	Указания за експлоатация	67
RU	Руководство по эксплуатации	70
ET	Tööjuhised	73
LV	Norādījumi par ekspluatāciju	75
LT	Naudojimo instrukcija	78
JA	作手順.....	81
ZH	操作说明	84
KO	사용법.....	86
TH	คำแนะนำการใช้งาน.....	89
MS	Arahan Operasi.....	91

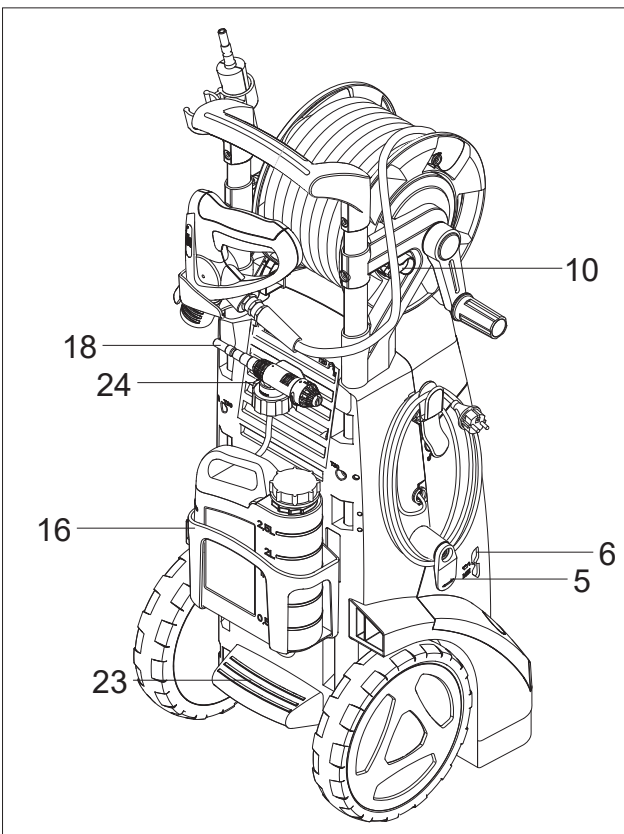
MC 3C-XT/MC 4M-XT



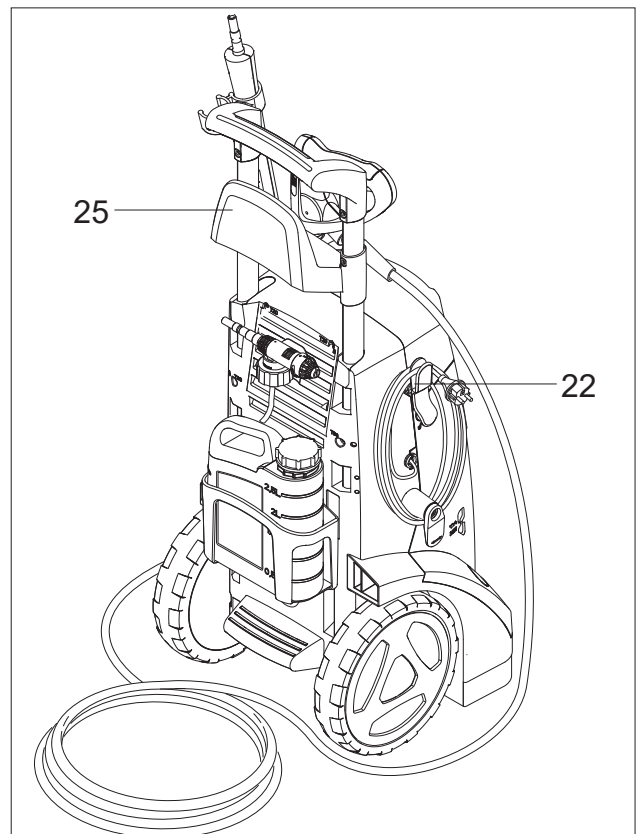
MC 3C/MC 4M



MC 3C-XT/MC 4M-XT

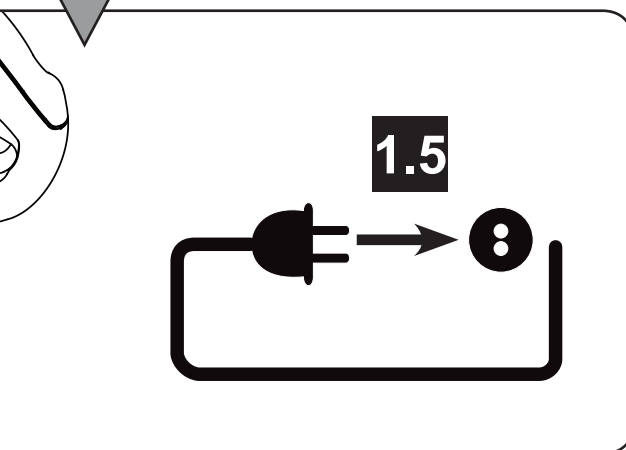
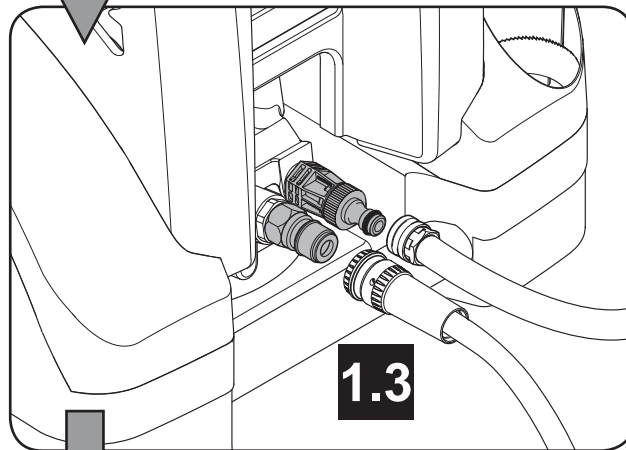
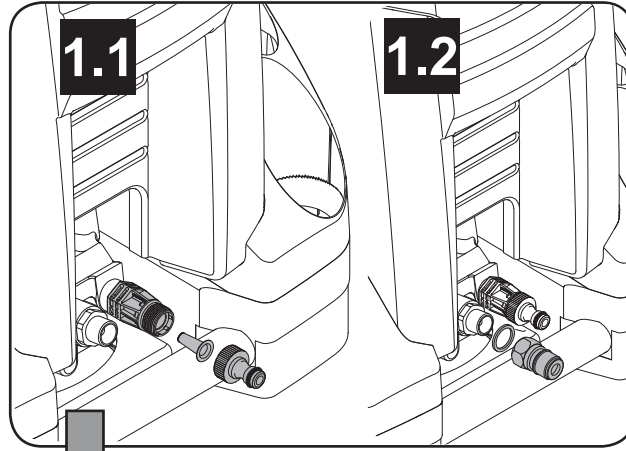
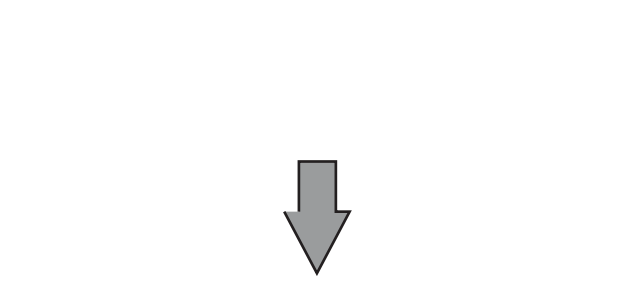
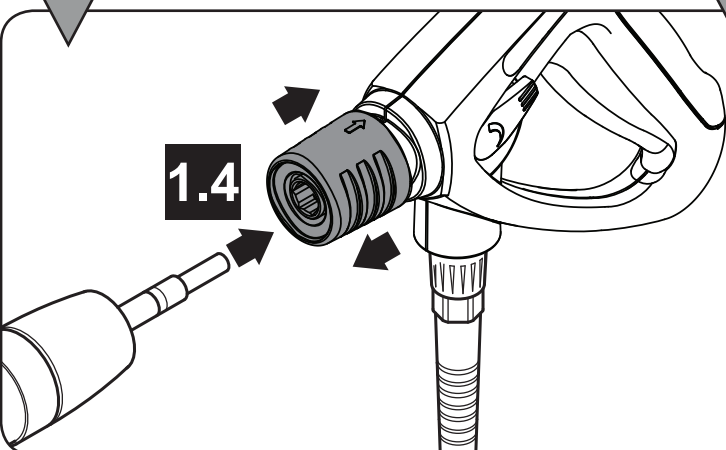
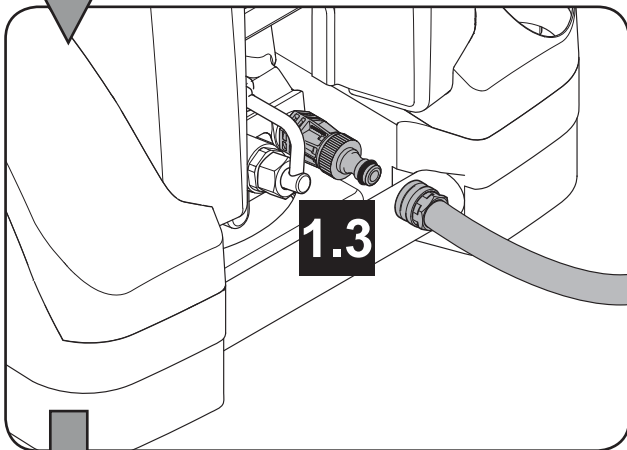
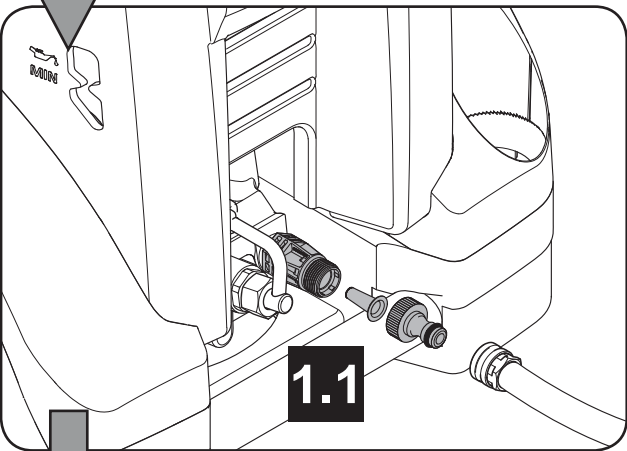
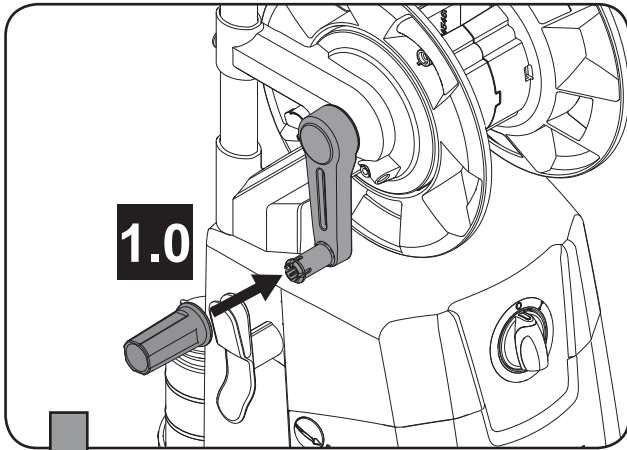


MC 3C/MC 4M

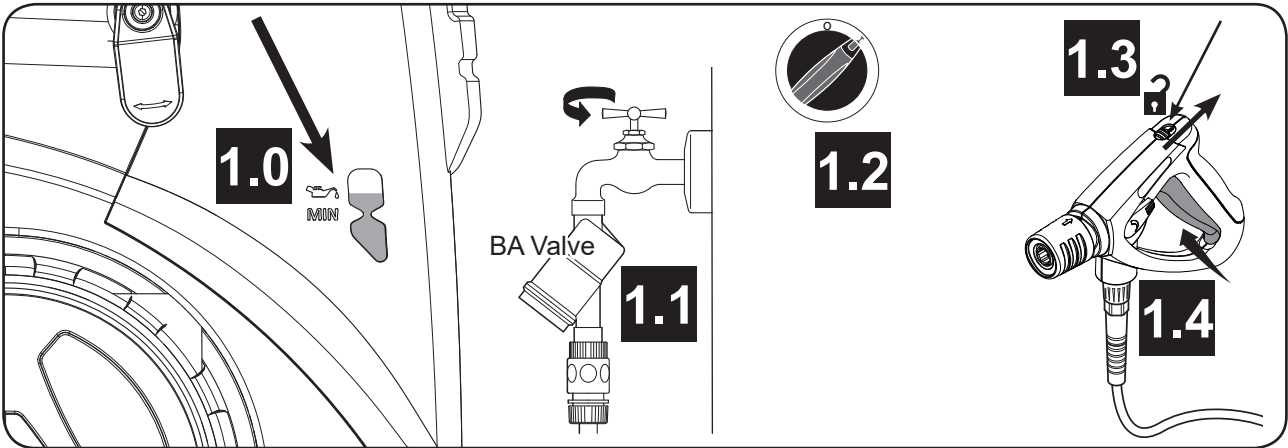


A - MC 3C-XT/MC 4M-XT

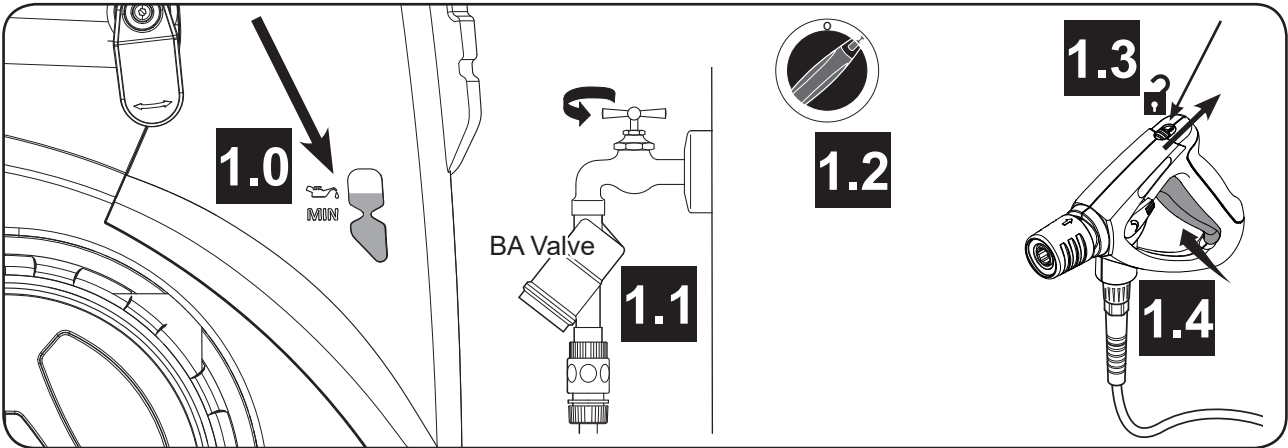
A - MC 3C/MC 4M



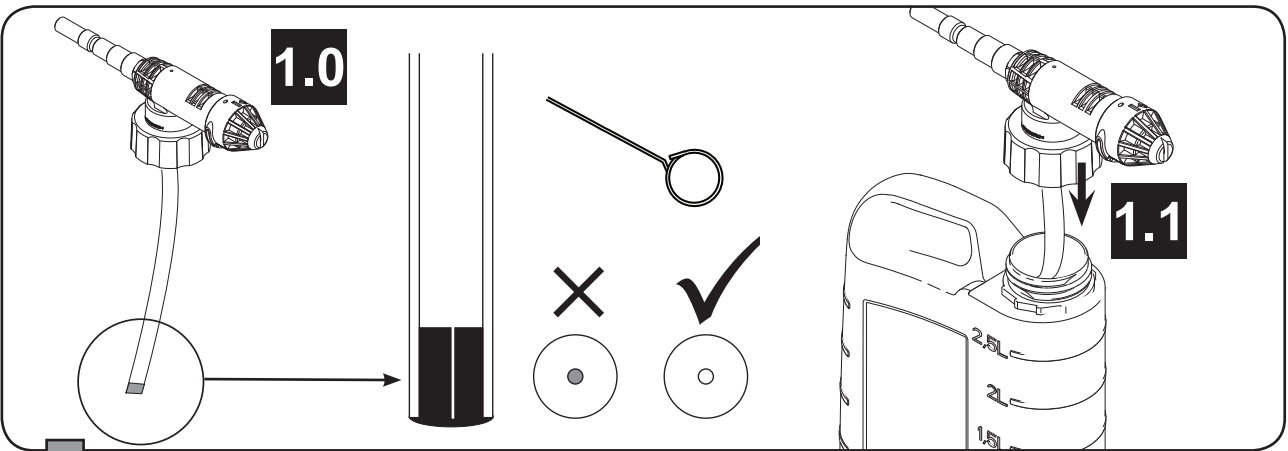
B - MC 3C-XT/MC 4M-XT



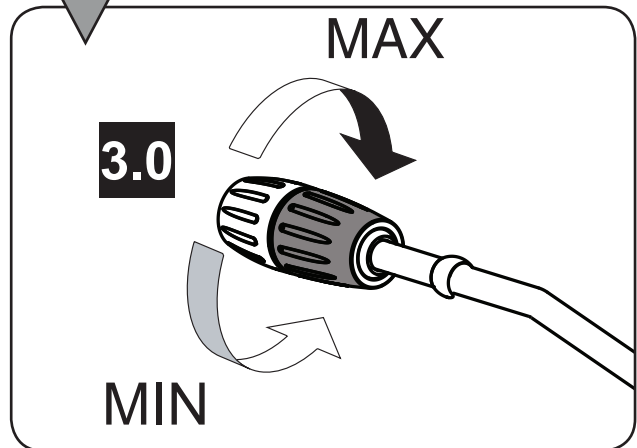
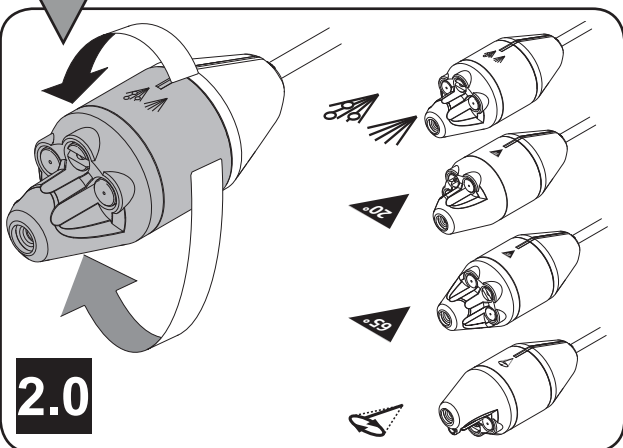
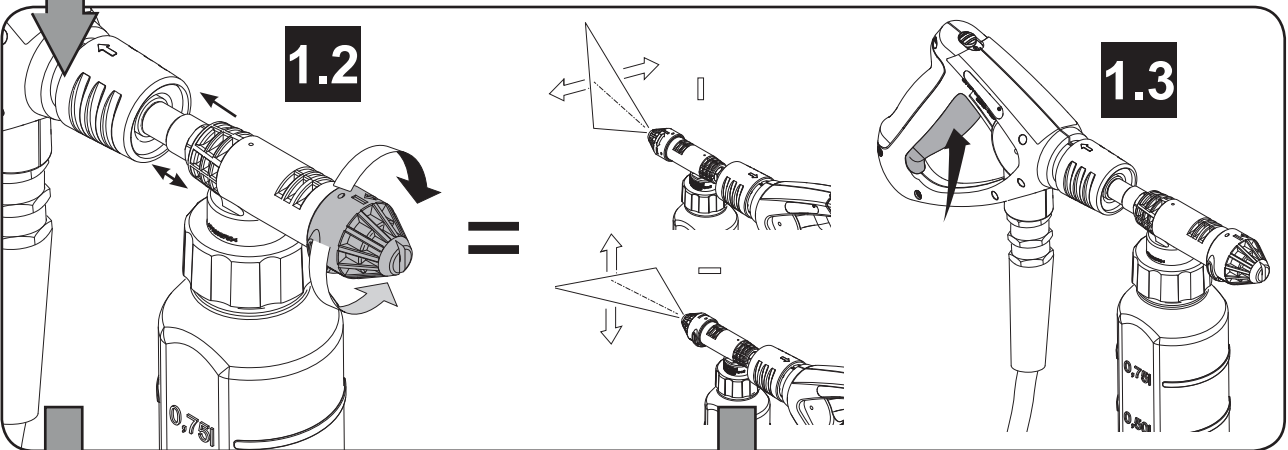
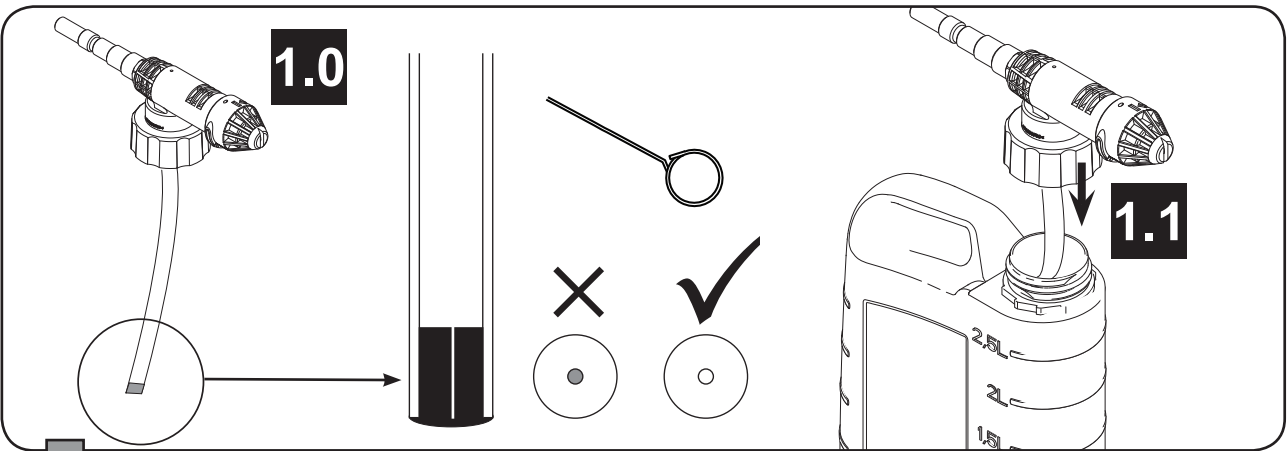
B - MC 3C/MC 4M

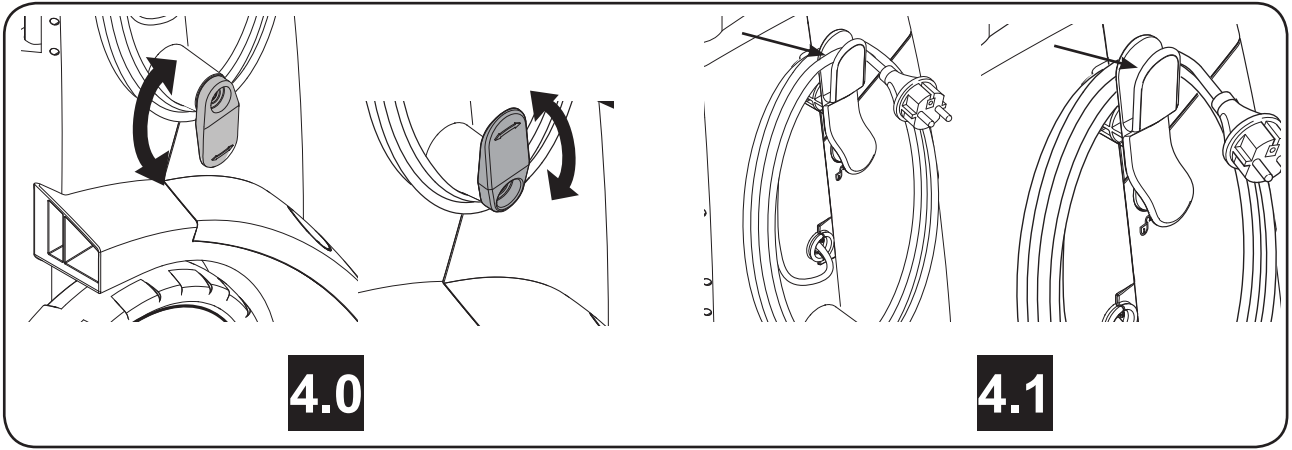


C - MC 3C-XT/MC 4M-XT



C - MC 3C/MC 4M



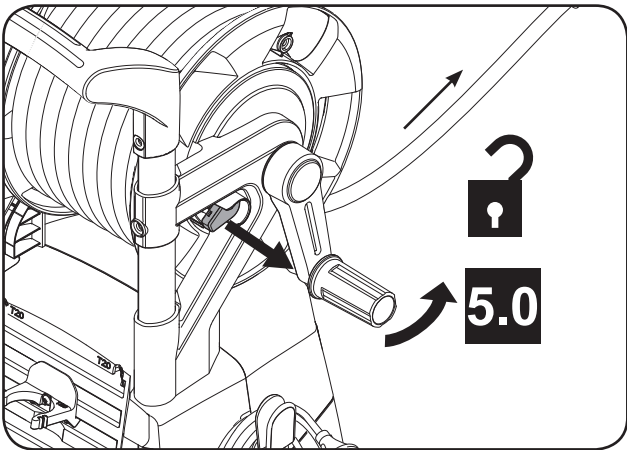


4.0

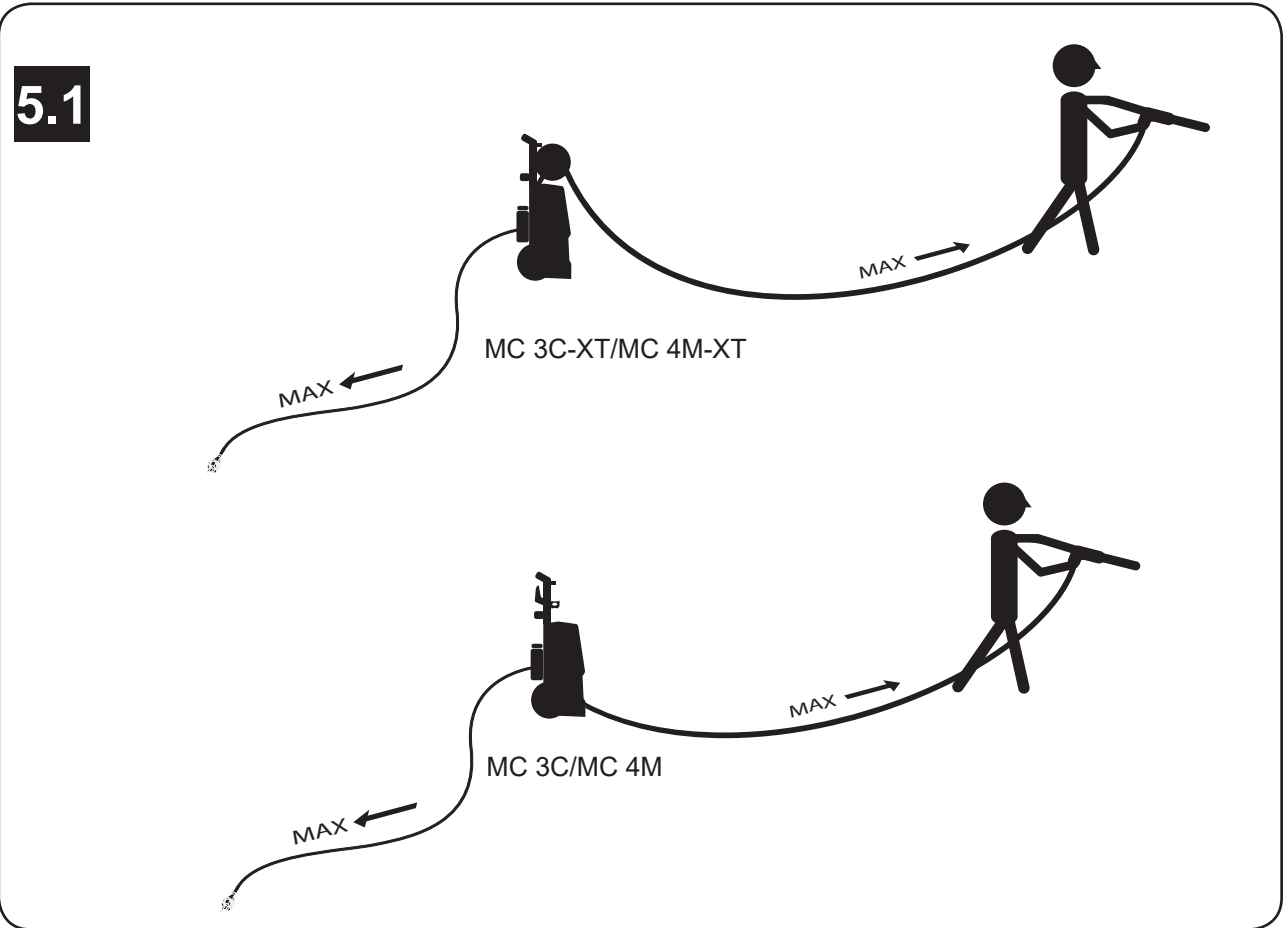
4.1

C - MC 3C-XT/MC 4M-XT

C - MC 3C/MC 4M



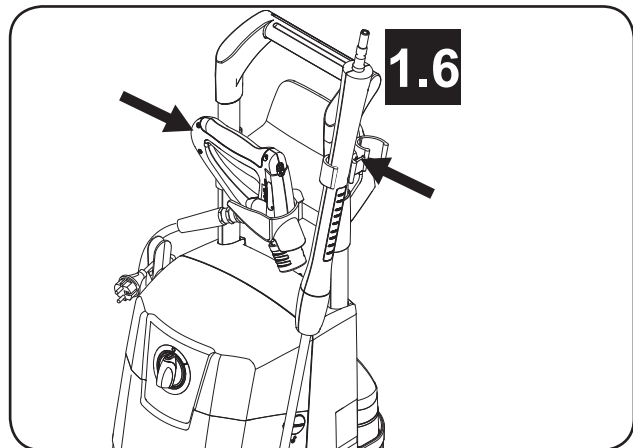
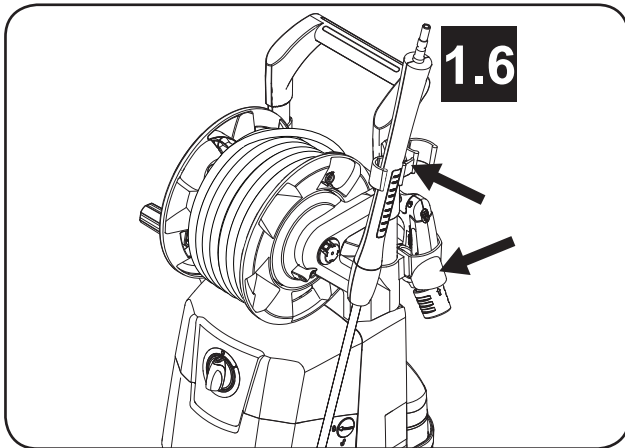
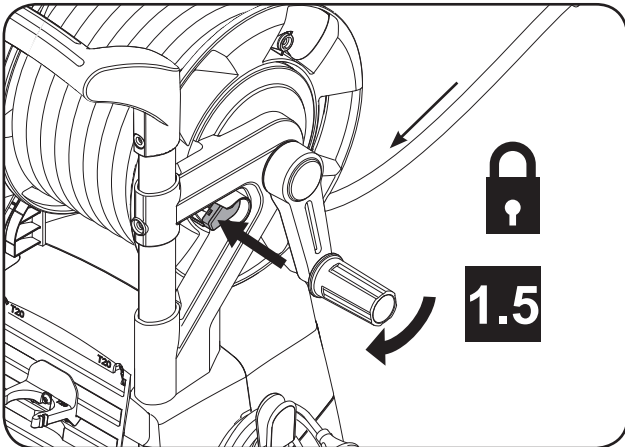
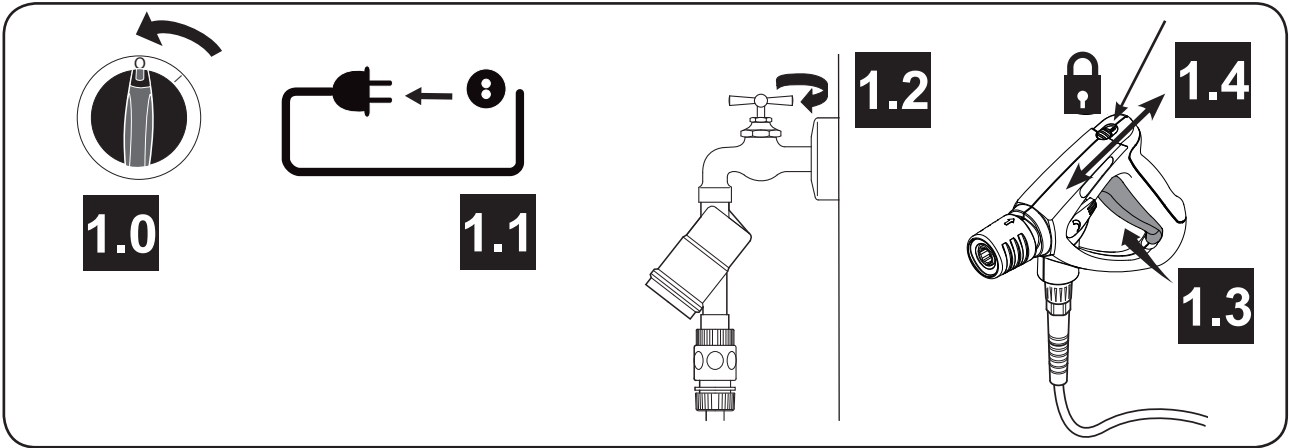
5.0

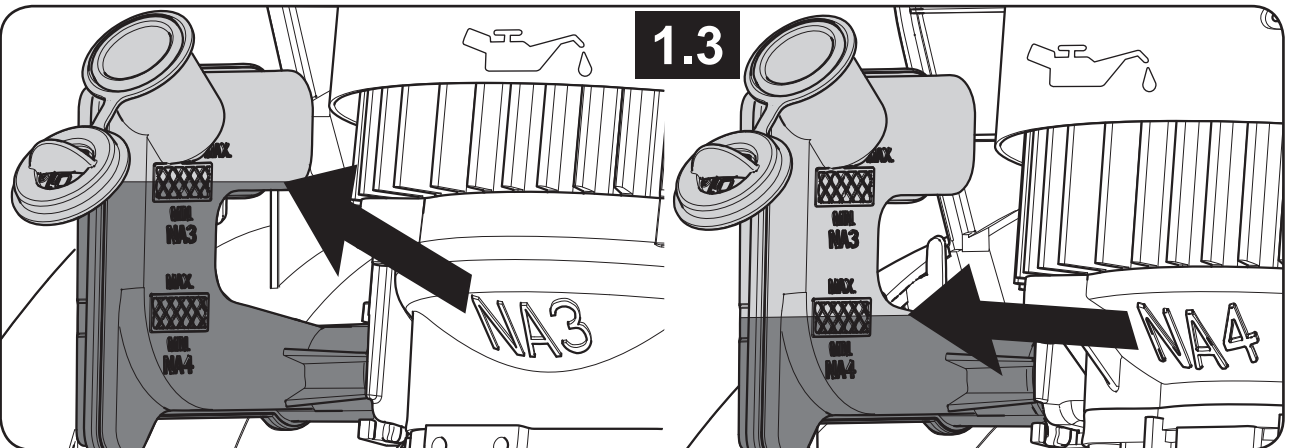
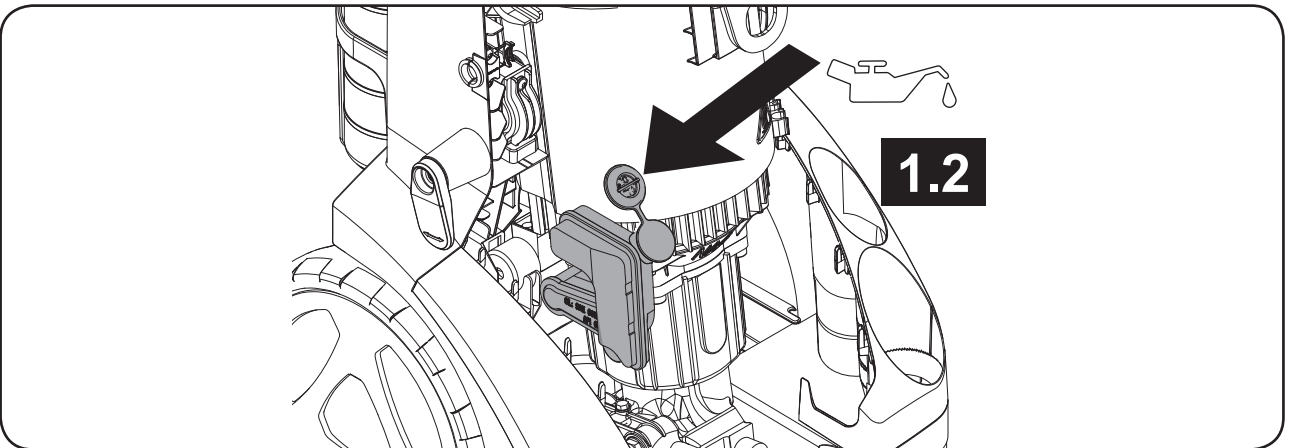
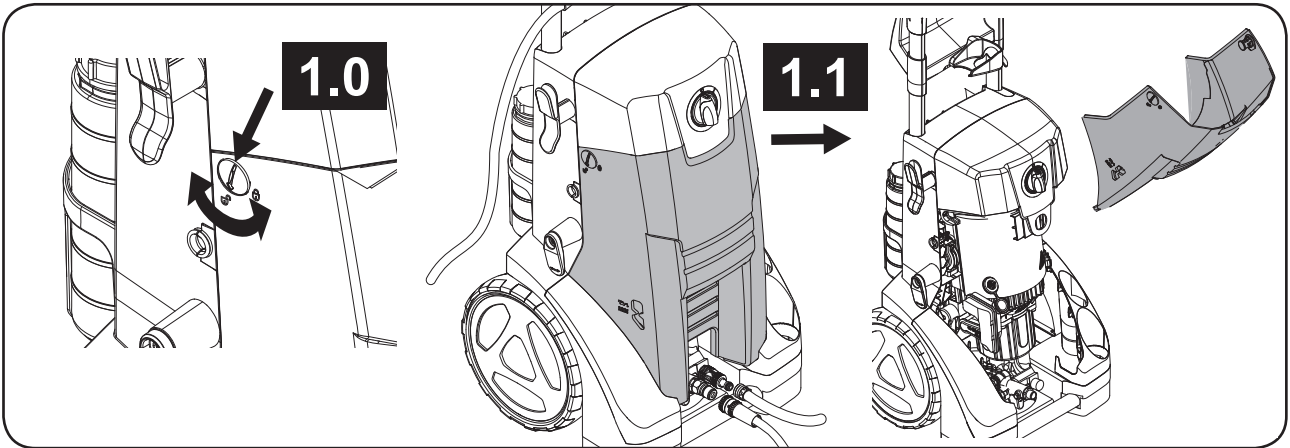


5.1

MC 3C-XT/MC 4M-XT

MC 3C/MC 4M





Quick reference guide

This high pressure washer has been designed for professional use typically in following cleaning applications:

floor/wall, auto/truck, buildings/constructions, container/barrel and craftsman use.

The pictorial quick reference guide

The pictorial quick reference guide is designed for helping you when starting up, operating and storing the unit. The guide is subdivided into 5 sections.

A

Before starting

DO READ SAFETY INSTRUCTIONS BEFORE USE!

Operating elements:

1. Inlet water connection
2. Nipple for high pressure hose
3. Lifting handle
4. Cabinet
5. Cable release
6. Oil sight
7. On/off switch
8. Handle hose reel*)
9. Hose reel *)
10. Lock hose reel*)
11. Lance
12. Holder for lance
13. Ergo 2000 spray handle
14. Child lock
15. Holder for spray lance*)
16. Holder with a 2½ l canister *)
17. Cabinet lock
18. Foam Sprayer *)
19. Flexo Power lance*)
20. Placement for lances
21. 4-in-1 lance*)
22. Cable end fixation
23. Foot kick
24. Holder for Foam Sprayer/Canister lid*)
25. Hose hook *)

Assembling the unit:

- 1.0 Mount handle on hose reel
- 1.1 Mount filter and Gardena coupling
- 1.2 Mount the seal and 3/8" nipple on high pressure outlet
- 1.3 Connect hoses (water and high pressure hose)
- 1.4 Mount the lance
- 1.5 Connect the electrical cable to mains.

B

Switching on the unit

- 1.0 Check oil level (see E1.2)
- 1.1 Open water tap
NB! Ambient temperature should be above 0°C and not higher than 40°C. Machine temperature must not be below 0°C.

- 1.2 Switch on the High Pressure Washer
- 1.3 Open child lock at spray handle
- 1.4 Activate spray handle

C

Control/operation

Using cleaning agents:

- 1.0 Check / clean hole in suction limiter at Foam Sprayer
- 1.1 Mount Foam Sprayer at canister
- 1.2 Set spray angle horizontal/vertical
- 1.3 Activate spray handle.

Nozzle selection at 4-in-1 lance (XT models):

- 2.0 Turn nozzle head and choose nozzle

Adjust pressure at FlexoPower lance (Standard models):

- 3.0 Turn the blue part of the nozzle head Min./max.

Cable unwind and storage:

- 4.0 Turn the cable hook for cable release / storage
- 4.1 Fixate cable end at hose hook after use

Hose reel unwind:

- 5.0 Release hose reel lock, and pull out hose
- 5.1 During use, cable and hose MUST be completely unwound

D

After using the unit

- 1.0 Switch off the High Pressure Washer
- 1.1 Disconnect from mains
- 1.2 Turn off the water
- 1.3 Release pressure at spray handle
- 1.4 Set child lock
- 1.5 Rewind hose & lock hose reel
- 1.6 Place spray handle and lance in holders

E

Maintenance

- 1.0 Unlock cabinet opening cabin locks (use coin or screwdriver)
- 1.1 Remove cabinet
- 1.2 Check / top up with oil to max (SAE 80W-90)
- 1.3 Oil max v.s. pump type MC 3C (NA3) or MC 4M (NA4)

Operating instructions

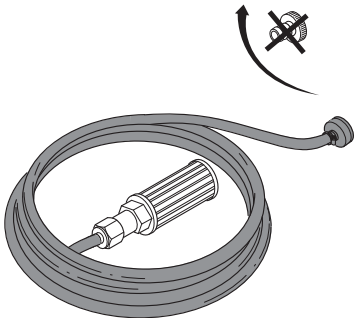
Troubleshooting MC 3C-MC 4M

Fault	Cause	Remedy
Pressure fluctuations	Air in suction hose.	Fill hose with water and connect again
	Not enough water supply	Stop! Until appropriate water mains or hose reflect pump Qmax
	Water filter is clogged up	Rinse the water filter
	High pressure nozzle blocked/worn	Clean or replace the nozzle with same size
	Suction height exceeded	Stop! until max suction height is present as specified
Foam Sprayer not producing foam	Detergent used is non-foaming	Use only detergents with foaming agent.
	Nozzle on suction hose is clogged up or filled with dried out soap	Rinse detergent limiter / flush with tempered clean water.
	Foam sponge in foam Sprayer is clogged up.	1 Rinse/soak foam Sprayer in tempered water for 8 hours or more 2 Or dismount front of foam Sprayer and exchange/ rinse the SS foam sponge with a new
	Detergent tank empty	Top up detergent tank
Motor does not start or buzzes when switched on	Power cable broken	Contact professional electrician for replacement of power cable
	Plug is not inserted in mains	Insert plug
	Mains fuse is blown	Reset power mains
	Plug has a loose connection to cable	Repair/reassemble plug on cable - skilled electrician
	The pump is blocked or frozen	Stop! Unfreeze pump or contact dealer service department
	The thermal protector is activated	Stop! Cool off machine for at least 5 minutes

Maintenance plan

	Weekly	First time after 50 operating hours	Every 200 operating hours	As required
Cleaning water filter	A1.1			A1.1
Checking oil level/tip up	B1.0/E1.2			
Changing pump oil		Contact dealer/service dpt.	Contact dealer/service dpt.	

Special operating instructions

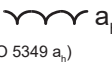
Self-suction		<p>0: Dismount HP hose from the machine.</p> <p>1: Fill the suction hose with water and connect to High Pressure Washer (Item no. 6400000)</p> <p>2: Mount suction hose with a hose clamp on the pump inlet.</p> <p>3: Turn main switch to "I" for few seconds. Repeat turning main switch on and off several times until water comes out of pump.</p> <p>4: Mount the HP hose, spray handle and lance.</p> <p>5: Turn main switch to "I".</p> <p>6: Unlock the spray handle and operate it several times until water coming out without air.</p>
--------------	---	---

Parts needed for suction	Item number
1 x Hose Nozzle 20R 3/4"	61369
1 x Hose 3/4"	Max length 5 mtr
1 x Hose Clamp 3/4"	
1 x Suction Filter with foot-valve	6400000


Specifications

			MC 3C- 150/570 XT 230/1/50/13	MC 3C- 140/570 230/1/50/13	MC 3C- 150/660 230/1/50/16	MC 3C- 130/660 220/1/60/15	MC 3C- 150/660 XT 230/1/50/16	MC 3C- 160/770 400/3/50
1			UK 英国	UK 英国	EU 欧盟	exp 其他	EU 欧盟	EU 欧盟
2		V/ph/Hz	230/1/50	230/1/50	230/1/50	220/1/60	230/1/50	400/3/50
3		A	13	13	16	15	16	16
4		kW кВт	3,0	3,0	3,5	3,5	3,5	4,0
5		bar (MPa) Бар (МПа) 巴 (兆帕)	150 (15)	140 (14)	150 (15)	130 (13)	150 (15)	160 (16)
6		l/h л/час 升/小时	520	520	600	600	600	700
7		bar (MPa) Бар (МПа) 巴 (兆帕)	200 (20)	200 (20)	200 (20)	190 (19)	200 (20)	200 (20)
8		l/h	570	570	660	660	660	770
9		°C (°F)	60, >40 max. 1 h. (140, >104 max. 1 h.)					
10		bar (MPa) Бар (МПа) 巴 (兆帕)	10 (1)					
11		m 米	0,5					
12		mm 毫米	382x382x1017					
13		kg кг	38	35,7	35,7	35,7	38	35,7
14	 (IEC 60335-2-69)	dB(A)+/-2 дБ(А)+/-2	78	78	78	78	78	81
15	 (IEC 60335-2-69)	dB(A)+/-2 дБ(А)+/-2	91	91	91	91	91	94
16a	 (ISO 5349 a _h) 	m/s ² 米/秒 ²	<2,5	<2,5	<2,5	<2,5	<2,5	<2,5
16b	 (ISO 5349 a _h) 	m/s ² 米/秒 ²	<5,5	-	-	-	<5,5	-
17		N	25,0	24,2	28,9	26,9	28,9	34,8
18		l 升	0,42					
19			SAE 80W-90					

Specifications

			MC 3C-170/820 400/3/50	MC 3C-170/820 220-440/3/60	MC 3C-170/820 XT 400/3/50	MC 3C-170/820 XT 230-400/3/50	MC 4M-140/620 230/1/50/13
1			EU 欧盟	exp 其他	EU 欧盟	NO, BE 挪威、比利时	EU 欧盟
2		V/ph/Hz	400/3/50	220/440/3/60	400/3/50	230/400/3/50	230/1/50
3		A	16	15	16	16	13
4		kW кВт	4,4	4,4	4,4	4,4	2,9
5		bar (MPa) Бар (МПа) 巴 (兆帕)	170 (17)	170 (17)	170 (17)	170 (17)	140 (14)
6		l/h л/час 升/小时	750	750	750	750	580
7		bar (MPa) Бар (МПа) 巴 (兆帕)	200 (20)	200 (20)	200 (20)	200 (20)"	200 (20)
8		l/h	820	820	820	820	620
9		°C (°F)	60, >40 max. 1 h. (140, >104 max. 1 h.)				
10		bar (MPa) Бар (МПа) 巴 (兆帕)	10 (1)				
11		m 米	0,5				
12		mm 毫米	382x382x1017				
13		kg кг	35,7	35,7	38	38	38,5
14	 (IEC 60335-2-69)	dB(A)+/-2 дБ(А)+/-2	81	81	81	81	73
15	 (IEC 60335-2-69)	dB(A)+/-2 дБ(А)+/-2	94	94	94	94	86
16a	 (ISO 5349 a _h) 	m/s ² 米/秒 ²	<2,5	<2,5	<2,5	<2,5	<2,5
16b	 (ISO 5349 a _h) 	m/s ² 米/秒 ²	-	-	<5,5	<5,5	-
17		N	38,4	38,4	38,4	38,4	27,0
18		l 升	0,42				0,39
19			SAE 80W-90				










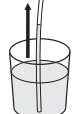





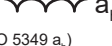
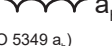


Specifications

			MC 4M-140/620 230/1/50/13	MC 4M-100/770 230/1/50/13	MC 4M-140/620 XT 230/1/50/13	MC 4M-160/620 230/1/50/16	MC 4M-160/620 240/1/50/15	MC 4M-150/620 220/1/60/15
1			UK 英国	UK 英国	UK 英国	EU 欧盟	AU	exp 其他
2		V/ph/Hz	230/1/50	230/1/50	230/1/50	230/1/50	240/1/50	220/1/60
3		A	13	13	13	16	15	15
4		kW кВт	2,9	2,8	2,9	3,0	3,0	3,0
5		bar (MPa) Бар (МПа) 巴 (兆帕)	140 (14)	100 (10)	140 (14)	160 (16)	160 (16)	150 (15)
6		l/h л/час 升/小时	580	720	580	560	560	560
7		bar (MPa) Бар (МПа) 巴 (兆帕)	200 (20)	150 (15)	200 (20)	200 (20)	200 (20)	200 (20)
8		l/h	620	770	620	620	620	620
9		°C (°F)	60, >40 max. 1 h. (140, >104 max. 1 h.)					
10		bar (MPa) Бар (МПа) 巴 (兆帕)	10 (1)					
11		m 米	0,5					
12		mm 毫米	382x382x1017					
13		kg кг	38,5	38,5	40,8	38,5	38,5	38,5
14	 (IEC 60335-2-69)	dB(A)+/-2 дБ(А)+/-2	73	73	73	73	73	73
15	 (IEC 60335-2-69)	dB(A)+/-2 дБ(А)+/-2	86	86	86	86	86	86
16a	 (ISO 5349 a _h)	m/s ² 米/秒 ²	<2,5	<2,5	<2,5	<2,5	<2,5	<2,5
16b	 (ISO 5349 a _h)	m/s ² 米/秒 ²	-	-	<5,5	-	-	-
17		N	27,0	28,3	27,0	27,8	27,8	26,9
18		l 升	0,39				0,42	0,39
19			SAE 80W-90					





Specifications

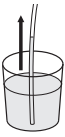




			MC 4M-160/620 XT 230/1/50/16	MC 4M-180/740 400/3/50	MC 4M-180/740 220-440/3/60	MC 4M-160/720 200/3/50	MC 4M-160/720 200/3/60	"MC 4M-180/740 XT 400/3/50
1			NO, BE 挪威、比利时	EU 欧盟	exp 其他	JP 日本	JP 日本	EU 欧盟
2		V/ph/Hz	230/1/50	400/3/50	220/440/3/60	200/3/50	200/3/60	400/3/50
3		A	16	16	15	20	20	16
4		kW кВт	3,0	4,0	4,0	3,5	3,5	4,0
5		bar (MPa) Бар (МПа) 巴 (兆帕)	160 (16)	180 (18)	180 (18)	160 (16)	160 (16)	180 (18)
6		l/h л/час 升/小时	560	660	660	660	660	660
7		bar (MPa) Бар (МПа) 巴 (兆帕)	200 (20)	200 (20)	200 (20)	200 (20)	200 (20)	200 (20)
8		l/h	620	740	740	720	720	740
9		°C (°F)	60, >40 max. 1 h. (140, >104 max. 1 h.)					
10		bar (MPa) Бар (МПа) 巴 (兆帕)	10 (1)					
11		m 米	0,5					
12		mm 毫米	382x382x1017					
13		kg кг	40,8	40	40	38,5	38,5	42,3
14	 (IEC 60335-2-69)	dB(A)+/-2 дБ(A)+/-2	73	76	76	76	76	76
15	 (IEC 60335-2-69)	dB(A)+/-2 дБ(A)+/-2	86	89	89	89	89	89
16a	 (ISO 5349 a _h) 	m/s ² 米/秒 ²	<2,5	<2,5	<2,5	<2,5	<2,5	<2,5
16b	 (ISO 5349 a _h) 	m/s ² 米/秒 ²	<5,5	-	-	-	-	<5,5
17		N	27,8	34,8	34,8	32,8	32,8	34,8
18		l 升	0,39					
19			SAE 80W-90					

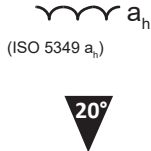
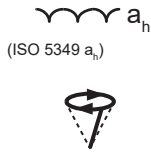



Specifications

		MC 4M- 180/740 XT 230-400/3/50	MC 4M- 150/620 XT 220/1/60/15
1		NO, BE 挪威、比利时	exp 其他
2		V/ph/Hz	230/400/3/50
3		A	16
4		kW кВт	4,0
5		bar (MPa) Бар (МПа) 巴 (兆帕)	180 (18)
6		l/h л/час 升/小时	660
7		bar (MPa) Бар (МПа) 巴 (兆帕)	200 (20)
8		l/h	740
9		°C (°F)	60, >40 max. 1 h. (140, >104 max. 1 h.)
10		bar (MPa) Бар (МПа) 巴 (兆帕)	10 (1)
11		m 米	0,5
12		mm 毫米	382x382x1017
13		kg кг	42,3
14		dB(A)+/-2 дБ(A)+/-2	76
15		dB(A)+/-2 дБ(A)+/-2	89
16a		m/s ² 米/秒 ²	<2,5
16b		m/s ² 米/秒 ²	<5,5
17		N	34,8
18		l 升	0,39
19			SAE 80W-90

1			EN: Country variant. DE: Ländervarianten. FR: Selon le pays. NL: Nationale variant. IT: Variante per il Paese. NO: Variant i ulike land. SV: Landsvariant. DA: Landespecifik variant. FI: Maakohmainen vaihtelu. ES: Dependé del país. PT: Variante do país. EL: Έκδοση χώρας. TR: Ülke-deki model. SL: Jezikovna različica. HR: Ovisno o zemlji. SK: Vrsta ulja. CS: Varianta země. PL: Wersja dla kraju. HU: Országfüggő modellváltozatok. RO: Varianta țării. BG: Вариант за страната. RU: Региональное исполнение. ET: Riigi variant. LV: Valsts versija. LT: Šaliai skirtas variantas. JA: 国による相違。 ZH: 不同国家 KO: 국가별 모델. TH: แตกต่างกันไปตามประเทศ MS: Variasi negara.
2		V/ph/Hz	EN: Possible voltage. DE: Mögliche Spannung. FR: Tension autorisée. NL: Mogelijke spanning. IT: Possibile voltaggio. NO: Mulig spenning. SV: Möjlig spänning. DA: Spænding. FI: Mahdollinen jännite, V/vaiheluku/taajuus. ES: Tensión admitida. PT: Tensão possível. EL: Πιθανή τάση, V/ph/Frez. TR: Olası voltaj, V/Faz/Frekans. SL: Morebitna napetost. HR: Mogući napon. SK: Možné napätie. CS: Možné napětí. PL: Dopuszczalne napięcie, V/fazy/częst. HU: Tápészültség, V/fázis/frekv. RO: Tensiune posibilă, V/fază/Frecv. BG: Възможно напрежение. RU: Напряжение, В/φ./част. В/φ./Гц. ET: Võimalik pinge, V/faas/sagedus. LV: iespējamais spriegums. LT: Galima įtampa V / F / Frez. JA: 電圧。 ZH: 可能电压 (V / ph / Fréz) KO: 허용 전압, 볼트/상/헤르츠. TH: แรงดันไฟฟ้าที่สามารถใช้ได้ MS: Kemungkinan voltan.
3		A	EN: Fuse. DE: Sicherung. FR: Fusible. NL: Zekering. IT: Fusibile. NO: Sikring. SV: Säkring. DA: Sikring. FI: Sulake. ES: Fusible. PT: Fusível. EL: Ασφάλεια. TR: Sigorta. SL: Varovalka. HR: Osigurač. SK: Poistka. CS: Pojistka. PL: Bezpiecznik. HU: Biztosíték. RO: Siguranță. BG: Предпазител. RU: Предохранитель. ET: Kaitse. LV: Drošinātājs. LT: Saugiklis. JA: ヒューズ. ZH: 保险丝. KO: 퓨즈. TH: ฟิวส์. MS: Fius.
4		kW кВт	EN: Power rating. DE: Nennleistung. FR: Puissance nominale. NL: Nominiaal vermogen. IT: Corrente nominale. NO: Nominell effekt. SV: Märkeffekt. DA: Nominel effekt. FI: Tehontarve. ES: Potencia nominal. PT: Classificação de potência. EL: Ονομαστική ισχύς. TR: Elektrik değeri. SL: Moč. HR: Oznaka napona. SK: Stanovenie výkonu. CS: Jmenovitý výkon. PL: Moc znamionowa. HU: Névleges teljesítmény. RO: Putere nominală. BG: Мощност. RU: Номинальная мощность кВт. ET: Vooluühik. LV: Nominālā jauda. LT: Galia. JA: 定格電力。 ZH: 额定功率. KO: 전원 등급. TH: อัตรากำลังไฟ. MS: Penarafan kuasa.
5		bar (MPa) Бар (МПа) 巴 (兆帕)	EN: Working pressure. DE: Arbeitsdruck. FR: Pression de service. NL: Werkdruk. IT: Pressione di esercizio. NO: Arbeidstrykk. SV: Arbetstryck. DA: Arbejdstryk. FI: Työpaine. ES: Presión de trabajo. PT: Pressão de trabalho. EL: Πίεση λειτουργίας. TR: Çalışma basıncı. SL: Delovni tlak. HR: Radni tlak. SK: Pracovný tlak. CS: Provozní tlak. PL: Ciśnienie robocze. HU: Üzemi nyomás. RO: Presiune de lucru. BG: Работно налягане. RU: Рабочее давление. ET: Töösurve. LV: Darba spiediens. LT: Darbinis slėgis. JA: 動作圧力。 ZH: 工作压力. KO: 작업 압력. TH: แรงดันขณะใช้งาน. MS: Tekanan kerja.
6		l/h л/час 升/小时	EN: Water flow. DE: Wasserdurchsatz. FR: Débit d'eau. NL: Waterdoorstroming. IT: Flusso dell'acqua. NO: Vanntilførsel. SV: Vattenflöde. DA: Vandmængde. FI: Vedenvirtaus. ES: Flujo de agua. PT: Fluxo de água. EL: Ροή νερού. TR: Su akışı. SL: Pretok vode. HR: Regulacija protoka vode. SK: Prietok vody. CS: Průtok vody. PL: Przepływ wody. HU: Vízfolyás. RO: Debit apă. BG: Воден поток. RU: Расход воды. ET: Veevool. LV: Ūdens plūsma. LT: Vandens srautas. JA: 流水. ZH: 水流量. KO: 급수량. TH: การไหลของน้ำ. MS: Aliran air.

7		bar (MPa) Бар (МПа) 巴 (兆帕)	<p>EN: Max. water pressure. DE: Max Wasserdruck. FR: Pression d'eau maximale. NL: Max. waterdruk. IT: Max. pressione dell'acqua. NO: Maks. vanntrykk. SV: Max vattentryck. DA: Max. vandtryk. FI: Suurin vedenpaine. ES: Presión máxima de entrada del agua. PT: Pressão máxima de água. EL: Μέγ. πίεση νερού. TR: Maks. su basıncı. SL: Najv. vodni tlak. HR: Maksimalni tlak vode. SK: Maximálny tlak vody. CS: Max. tlak vody. PL: Maks. ciśnienie wody. HU: Max. víznyomás. RO: Presiune max. apă. BG: Макс. налягане на водата. RU: Макс. давление воды. ET: Max veesurve. LV: Maks. ūdens spiediens. LT: Maks. vandens slėgis. JA: 最高水圧 ZH: 最大水圧 KO: 최대 수압. TH: ความดันน้ำสูงสุด MS: Tekanan air maksimum.</p>
8		l/h	<p>EN: Water flow DE: Wasserdurchsatz. FR: Débit d'eau. NL: Waterdoorstroming. IT: Flusso dell'acqua. NO: Vanntilførsel. SV: Vattenflöde. DA: Vandmængde. FI: Vedevirtaus. ES: Flujo de agua. PT: Fluxo de água. EL: Ποή νερού. TR: Su akışı. SL: Pretok vode. HR: Protok vode. SK: Prietok vody. CS: Průtok vody. PL: Przepływ wody. HU: Vízátfolyás. RO: Debit apă. BG: Воден поток. RU: Расход воды. ET: Veevool. LV: Ūdens plūsma. LT: Vandens srautas. JA: 流水。 ZH: 水流量 KO: 급수량. TH: การไหลของน้ำ MS: Aliran air.</p>
9		°C (°F)	<p>EN: Max water inlet temperature, Intake-Pressure operation. DE: Max Wassereinlasstemperatur - Druckbetrieb. FR: Température max. de l'entrée d'eau en mode admission/pression. NL: Max. Waterinlaattemperatuur Inlaat-Tijdens. Bedrijf. IT: Temperatura max. alimentazione acqua Funzionamento a ingressopressione. NO: Maks. temperatur vanninntak, Inntakstrykk drift. SV: Max ingående vattentemperatur inlopps-tryckdrift. DA: Maks. vandtilgangstemperatur, tilgangstrykdrift. FI: Tuloveden suurin lämpötila, käytettäessä painepesurina. ES: Temperatura y presión máxima de entrada del agua. PT: Temperatura máxima de entrada de água, Funcionamento da pressão de entrada. EL: Μεγ. θερμοκρασία εισόδου νερού-λειτουργίας πίεσης. TR: Maks. su girişi sıcaklığı Emme-Basınçlı çalışma. SL: Najv. vstopna temperatura vode, vstopni tlak pri delovanju. HR: Maks. temperatura ulazne vode, tlak pri usisavanju. SK: Max. vstupná teplota vody, Prevádzka v nasávacom režime pod tlakom. CS: Max. teplota vody na vstupu, provozní sací tlak. PL: Maks. temperatura na dopływie wody z instalacji wodociągowej. HU: Max. bemenő vízhőmérséklet Szívónyomásos üzem. RO: Temperatura max. de admisie apă în cazul alimentării de la robinet. BG: Макс. температура на входящата вода – работа в режим на засмукване. RU: Макс. температура воды на входе (всасывание/подача под давлением). ET: Max vee sisselasketemperatuur Sissevoturõhk töö ajal. LV: Maks. ūdens ieplūdes temperatūra ieplūdes-spiediena darbībā. LT: Didžiausia vandens paėmimo temperatūra, veikimas esant įėjimo slėgiui. JA: 最高流入水温度、吸気圧力動作。 ZH: 进水压力操作时的最高进水水温 KO: 최대 급수 온도 주입/압력 작동. TH: อุณหภูมิน้ำเข้าสูงสุด ความดันในการใช้งานบริเวณทางเข้า MS: Suhu maksimum air masuk, Kemasukan-Operasi tekanan.</p>
10		bar (MPa) Бар (МПа) 巴 (兆帕)	<p>EN: Max. water inlet pressure. DE: Max. Wassereinlassdruck. FR: d'eau en mode admission/pression. NL: Max. waterinlaatdruk. IT: Pressione max. alimentazione acqua. NO: Maks. trykk vanninntak. SV: Max tryck för vatteninlopp. DA: Maks. Vandtilgangstryk. FI: Tuloveden suurin paine. ES: Presión máxima de entrada del agua. PT: Pressão máxima de entrada de água. EL: Μέγ. πίεση εισόδου νερού. TR: Maks. su girişi basıncı. SL: Najv. tlak dovoda vode. HR: Maks. tlak ulazne vode. SK: Max. vstupný tlak vody. CS: Max. tlak vody na vstupu. PL: Maks. ciśnienie na dopływie wody. HU: Max. bemenő nyomás. RO: Presiunea max. de alimentare cu apă. BG: Макс. налягане на входяща вода. RU: Макс. давление воды на входе. ET: Maks vee sissevoolusurve. LV: Maks. ūdens spiediens. LT: Didžiausias vandens paėmimo slėgis. JA: 最高流入水圧。 ZH: 最大进水压力 KO: 최고 급수 압력. TH: ความดันน้ำเข้าสูงสุด MS: Tekanan maksimum air masuk.</p>

11		m 米	<p>EN: Max dry suction height. DE: Max. Trockensaughöhe. FR: Hauteur d'aspiration à sec max. NL: Max. droge aanzuighoogte. IT: Altezza massima di aspirazione secco. NO: Maks. sugehøyde tørr. SV: Max torr-sugningshöjd. DA: Maks. sugehøjde, tør. FI: Suurin kuivaimukorkeus. ES: Altura máxima de succión en seco. PT: Altura de aspiração a seco máx. EL: Μέγ. ύψος αναρρόφησης. TR: Maks. Kuru emme yüksekliği. SL: Najv. višina suhega vsesavanja. HR: Maks. visina pri suhom usisavanju. SK: Max. suchá nasávacia výška. CS: Max. sací výška nasucho. PL: Maks. wysokość ssania na sucho. HU: Max. száraz szívómagasság. RO: Înălțime max. de aspirare în cazul alimentării cu apă dintr-un recipient. BG: Макс. височина на сухо засмукване. RU: Макс. высота всасывания. ET: Max kuivimu kõrgus. LV: Maks. sausās sūkšanas augstums. LT: Maksimalus sausas įsiurbimo aukštis. JA: 最大乾燥吸込高さ。 ZH: 最大干吸高度 米 KO: 최대 건조 흡입 높이. TH: ความสูงของท่อดูดแห้งสูงสุด MS: Ketinggian maksimum sedutan kering.</p>
12		mm 毫米	<p>EN: Dimensions LxWxH. DE: Masse LxBxH. FR: Dimensions l x p x h. NL: Afmetingen LxBxH. IT: Dimensioni, lun. x larg. x alt. NO: Mål LxBxH. SV: Dimensioner LxBxH. DA: Mål LxBxH. FI: Mitat, PxLxK. ES: Dimensiones l x a x al. PT: Dimensões, C x L x A. EL: Διαστάσεις, Μ x Π x Υ. TR: Boyutlar, u x g x y. SL: Mere D x Š x V. HR: Dimenzije DxŠxV. SK: Rozmery D x Š x V. CS: Rozměry d x š x v. PL: Wymiary długość x szer. x wys. HU: Méretek H x Sz x M. RO: Dimensiuni. L x l x î. BG: Размери Д x Ш x В. RU: Размеры, Дл. x Шир. x Выс. ET: Mõõtmed p x l x k. LV: Izmēri G x P x A. LT: Matmenys (i x p x a). JA: 外形寸法長さx幅x高さ。 ZH: 尺寸 (长x宽x高) 毫米 KO: 크기(l x w x h). TH: ขนาด ยาว x กว้าง x สูง MS: Dimensi LxWxH.</p>
13		kg кг	<p>EN: Weight. DE: Gewicht. FR: Poids du nettoyeur. NL: Gewicht van de hogedrukreiniger. IT: Peso dell'idropulitrice. NO: Vekt høytrykksvasker. SV: Maskinens vikt. DA: Vægt. FI: Pelkän painepesurin paino. ES: Peso del limpiador. PT: Peso da máquina de limpeza. EL: Βάρος μηχανήματος καθαρισμού. TR: Temizlik makinesinin yüksekliği. SL: Masa. HR: Težina. SK: Hmotnosť. CS: Hmotnost čisticího stroje. PL: Ciężar myjki. HU: Tisztítógép tömege. RO: Greutatea aparatului. BG: Тегло. RU: Вес моечной машины. ET: Pesuri kaal. LV: Tīrītāja svars. LT: Valymo įrenginio svoris. JA: 重量。 ZH: 清洗机重量 KO: 세척기 무게. TH: น้ำหนัก MS: Berat.</p>
14	 (IEC 60335-2-69)	dB(A) +/-2 дБ(A) +/-2	<p>EN: Sound pressure level L_{PA}. DE: Schalldruckpegel FR: Niveau de pression acoustique NL: Geluidsdrukniveau IT: Livello pressione sonora NO: Lydtrykknivå SV: Ljudtrycksnivå DA: Lydtryksniveau FI: Äänenpainetaso ES: Nivel de presión sonora PT: Nível de pressão acústica EL: Επίπεδο πίεσης ήχου TR: Göre ses basıncı seviyesi SL: Raven zvočnega tlaka. HR: Razina zvučnog tlaka. SK: Hladina zvukového. CS: Hladina akustického tlaku PL: Poziom ciśnienia akustycznego HU: Hangnyomás szint RO: Nivel de presiune acustică BG: Ниво на звуково налягане RU: Уровень шума ET: Helisurve tase LV: Akustiskā spiediena līmenis LT: Garso slėgio lygis JA: 音圧レベル ZH: 声压级 KO: 음압 레벨 TH: ระดับความดันเสียง MS: Tahap tekanan bunyi</p>
15	 (IEC 60335-2-69)	dB(A) +/-2 дБ(A) +/-2	<p>EN: Sound power level L_{WA}. DE: Schallleistungspegel FR: Niveau de puissance acoustique NL: Geluidsvermogeniveau IT: Livello potenza sonora NO: Lydeffektnivå SV: Ljudeffektnivå DA: Lydeffektniveau FI: Äänen tehotaso ES: Potencia acústica PT: Nível de potência acústica EL: Επίπεδο ισχύος ήχου TR: Göre ses basıncı seviyesi SL: Raven moči zvoka. HR: Razina jakosti. SK: Hladina zvukového výkonu. CS: Hladina akustického výkonu PL: Poziom mocy akustycznej HU: Hangteljesítmény szint RO: Nivelul de putere acustică BG: Ниво на звукова мощност RU: Уровень звуковой мощности ET: Helivõimsuse tase LV: Akustiskās jaudas līmenis LT: Garso galios lygis JA: 音響パワーレベル ZH: 声功率级 KO: 소음 레벨 TH: ระดับกำลังเสียง MS: Tahap kuasa bunyi</p>

16a		m/s^2 米/秒 ²	EN: Vibration. DE: Vibrationen FR: Vibration NL: Vibratie IT: Vibrazioni NO: Vibrasjoner SV: Vibration DA: Vibration FI: Tärinäarvot ES: Vibración PT: Vibração EL: Δόνηση TR: Titreşimi SL: Vibracije. HR: Vibracije. SK: Vibrácie. CS: Vibrace PL: Drgania HU: Vibráció RO: Vibrații BG: Вибрации. RU: Вибрация ET: vibratsioon LV: vibrācija LT: Vibracijos JA: 振動。 ZH: 振动 KO: 진동 TH: แรงสั่นสะเทือน MS: Getaran.
16b		m/s^2 米/秒 ²	EN: Vibration. DE: Vibrationen FR: Vibration NL: Vibratie IT: Vibrazioni NO: Vibrasjoner SV: Vibration DA: Vibration FI: Tärinäarvot ES: Vibración PT: Vibração EL: Δόνηση TR: Titreşimi SL: Vibracije. HR: Vibracije. SK: Vibrácie. CS: Vibrace PL: Drgania HU: Vibráció RO: Vibrații BG: Вибрации. RU: Вибрация ET: vibratsioon LV: vibrācija LT: Vibracijos JA: 振動。 ZH: 振动 KO: 진동 TH: แรงสั่นสะเทือน MS: Getaran.
17		N	EN: Recoil forces, lance. DE: Rückstoßkraft, Sprühhrohr FR: Forces de recul, lance NL: Terugslagkracht, lans IT: Forze di rinculo, lancia NO: Rekylkraft, lanse SV: Rekylkraft, spolrör DA: Rekylkraft, dyserør FI: Rekyylivoimat, suutin ES: Fuerzas de retroceso, lanza PT: Forças de retrocesso, lança EL: Δυνάμεις οπισθοδρόμησης, διάταξη ψεκασμού χη. TR: Sarmal kuvvetler, boru SL: Povratne sile, šoba. HR: Trzajne sile, mlaznica. SK: Spätný odraz, štandardná striekacia rúra. CS: Síly zpětného rázu, násadec PL: Siły odrzutu, lanca HU: Visszaható erő, szórócső RO: Forțe de recul, tija BG: Сили на откат, крайник. RU: Сила отдачи (распылитель). ET: Tagasilöögi jõud, otsik LV: Atsitiena spēks, smidzinātājs LT: Atatrankos jėga, antgalis JA: 反跳力、ランス。 ZH: 反冲力 (喷杆) KO: 반동력, 랜스 TH: แรงสะท้อนถอยหลัง, ปลายทอ MS: Kuasa sentakan, lans.
18		升	EN: Oil quantity. DE: Ölmenge. FR: Quantité d'huile. NL: Hoeveelheid olie. IT: Quantità olio. NO: Oljemengde. SV: Oljemängd. DA: Oliemængde. FI: Öljymäärä. ES: Cantidad de aceite. PT: Quantidade de óleo. EL: Ποσότητα λαδιού. TR: Yağ miktarı. SL: Količina olja. HR: Količina ulja. SK: Množstvo oleja. CS: Množství oleje. PL: Objętość oleju. HU: Olajmennyiség. RO: Cantitate de ulei. BG: Количество на маслото. RU: Количество масла. ET: Õli kogus. LV: Eļļas daudzums. LT: Tepalo kiekis. JA: オイル量。 ZH: 油量升 KO: 오일량. TH: ปริมาณน้ำมัน MS: Kuantiti minyak.
19			EN: Oil type. DE: Öltyp. FR: Type d'huile. NL: Olietype. IT: Tipo olio. NO: Oljetype. SV: Typ av olja. DA: Olietype. FI: Öljyn tyyppi. ES: Tipo de aceite. PT: Tipo de óleo. EL: Τύπος λαδιού. TR: Yağ tipi. SL: Vrsta olja. HR: Vrsta ulja. SK: Typ oleja. CS: Typ oleje. PL: Typ oleju. HU: Olaj típusa. RO: Tip de ulei. BG: Тип на маслото. RU: Тип масла. ET: Õli tüüp. LV: Eļļas tips. LT: Tepalo tipas. JA: オイルの種類。 ZH: 油型 KO: 오일 유형. TH: ประเภทน้ำมัน MS: Jenis minyak.

20

EN: Specifications and details are subject to change without prior notice. **DE:** Technische Daten und Details des Geräts können sich ohne vorherige Ankündigung ändern. **FR:** Ces spécifications et détails sont susceptibles d'être modifiés sans préavis. **NL:** Specificaties en details kunnen zonder voorafgaande waarschuwing worden gewijzigd. **IT:** Specifiche e dettagli sono soggetti a modifiche senza preavviso. **NO:** Spesifikasjonene og detaljene er gjenstand for endringer uten forutgående varsel. **SV:** Specifikationer och information kan ändras utan föregående meddelande. **DA:** Ret til ændringer i konstruktion og specifikationer forbeholdes. **FI:** Rakenteeseen ja teknisiin tietoihin voidaan tehdä muutoksia ilmoittamatta niistä ennalta. **ES:** Las especificaciones y los datos están sujetos a cambios sin previo aviso. **PT:** As especificações e os detalhes estão sujeitos a alterações sem aviso prévio. **EL:** Τα τεχνικά χαρακτηριστικά και οι λεπτομέρειες υπόκεινται σε αλλαγές χωρίς προηγούμενη ειδοποίηση. **TR:** Özellikler ve ayrıntılar, önceden haber verilmeden değiştirilebilir. **SL:** Tehnični podatki in podrobnosti se lahko spremenijo brez predhodnega obvestila. **HR:** Specifikacije i detalji mogu se mijenjati bez prethodne najave. **SK:** Špecifikácie a podrobnosti sa môžu meniť bez predchádzajúceho upozornenia. **CS:** Technické údaje a detaily mohou být změněny i bez předchozího upozornění. **PL:** Specyfikacje i parametry mogą zostać zmienione bez uprzedzenia. **HU:** A műszaki adatok és részletek előzetes értesítés nélkül megváltozhatnak. **RO:** Specificațiile și detaliile pot fi modificate fără înștiințare prealabilă. **BG:** Спецификациите и детайлите подлежат на промяна без предварително уведомление. **RU:** Технические характеристики и данные могут изменяться без предварительного извещения. **ET:** Tehnilisi kirjeldusi ja üksikasju võidakse muuta eelneva etteteatamiseta. **LV:** Specifikācijas un detaļas var tikt mainītas bez iepriekšēja paziņojuma. **LT:** Konstrukcija ir specifikacijos gali keistis be išankstinio įspėjimo. **JA:** 仕様および情報は事前通知無しに変更する場合があります。 **ZH:** 规格和详情如有变更，恕不另行通知。 **KO:** 사양 및 내용은 예고없이 변경될 수 있습니다. **TH:** ข้อกำหนดเฉพาะและรายละเอียดสามารถเปลี่ยนแปลงได้โดยไม่ต้องแจ้งให้ทราบล่วงหน้า **MS:** Spesifikasi dan butiran adalah tertakluk kepada perubahan tanpa notis terlebih dahulu.



HEAD QUARTER

DENMARK

Nilfisk A/S
Kornmarksvej 1
DK-2605 Brøndby
Tel.: (+45) 4323 8100
www.nilfisk.com

SALES COMPANIES

ARGENTINA

Nilfisk Argentina
Herrera 1855 Piso 4° B Ofic 405
Ciudad de Buenos Aires
Tel.: (+54) 11 6091 1576
www.nilfisk.com.ar

AUSTRALIA

Nilfisk Pty Ltd
Unit 1/13 Bessemer Street
Blacktown NSW 2148
Tel.: (+61) 2 98348100
www.nilfisk.com.au

AUSTRIA

Nilfisk GmbH
Metzgerstrasse 68
5101 Bergheim bei Salzburg
Tel.: (+43) 662 456 400 90
www.nilfisk.at

BELGIUM

Nilfisk n.v.-s.a.
Riverside Business Park
Boulevard Internationaalelaan 55
Bâtiment C3/C4 Gebouw
Bruxelles 1070
Tel.: (+32) 24 67 60 50
www.nilfisk.be

BRAZIL

Nilfisk do Brasil
Av. Eng. Luis Carlos Berrini, 550
40 Andar, Sala 03
SP - 04571-000 Sao Paulo
Tel.: (+11) 3959-0300 / 3945-4744
www.nilfisk.com.br

CANADA

Nilfisk Canada Company
240 Superior Boulevard
Mississauga, Ontario L5T 2L2
Tel.: (+1) 800-668-8400
www.nilfisk.ca

CHILE

Nilfisk S.A. (Comercial KCS Ltda)
Salar de Lamara 822
8320000 Santiago
Tel.: (+56) 2684 5000
www.nilfisk.cl

CHINA

Nilfisk
4189 Yindu Road
Xinzhuang Industrial Park
201108 Shanghai
Tel.: (+86) 21 3323 2000
www.nilfisk.cn

CZECH REPUBLIC

Nilfisk s.r.o.
VGP Park Horní Počernice
Do Čertous 1/2658
193 00 Praha 9
Tel.: (+420) 244 090 912
www.nilfisk.cz

DENMARK

Nilfisk Danmark A/S
Industrivej 1
Hadsund, DK-9560
Tel.: 72 18 21 20
www.nilfisk.dk

FINLAND

Nilfisk Oy Ab
Koskelontie 23 E
02920 Espoo
Tel.: (+358) 207 890 600
www.nilfisk.fi

FRANCE

Nilfisk SAS
26 Avenue de la Baltique
Villebon sur Yvette
91978 Courtabouef Cedex
Tel.: (+33) 169 59 87 00
www.nilfisk.fr

GERMANY

Nilfisk GmbH
Guido-Oberdorfer-Straße 2-10
89287 Bellenberg
Tel.: (+49) (0)7306/72-444
www.nilfisk.de

GREECE

Nilfisk A.E.
Αναπαύσεως 29
Κορωπί T.K. 194 00
Tel.: (30) 210 9119 600
www.nilfisk.gr

HOLLAND

Nilfisk B.V.
Versterkerstraat 5
1322 AN Almere
Tel.: (+31) 036 5460760
www.nilfisk.nl

HONG KONG

Nilfisk Ltd.
2001 HK Worsted Mills
Industrial Building
31-39, Wo Tong Tsui St.
Kwai Chung, N.T.
Tel.: (+852) 2427 5951
www.nilfisk.com

HUNGARY

Nilfisk Kft.
II. Rákóczi Ferenc út 10
2310 Szigetszentmiklós-Lakihegy
Tel.: (+36) 24 475 550
www.nilfisk.hu

INDIA

Nilfisk India Limited
Pramukh Plaza, 'B' Wing, 4th floor, Unit
No. 403
Cardinal Gracious Road, Chakala
Andheri (East) Mumbai 400 099
Tel.: (+91) 22 6118 8188
www.nilfisk.in

IRELAND

Nilfisk
1 Stokes Place
St. Stephen's Green
Dublin 2
Tel.: (+35) 3 12 94 38 38
www.nilfisk.ie

ITALY

Nilfisk SpA
Strada Comunale della Braglia, 18
26862 Guardamiglio (LO)
Tel.: (+39) (0) 377 414021
www.nilfisk.it

JAPAN

Nilfisk Inc.
1-6-6 Kita-shinyokohama, Kouhoku-ku
Yokohama, 223-0059
Tel.: (+81) 45548 2571
www.nilfisk.com

MALAYSIA

Nilfisk Sdn Bhd
Sd 33, Jalan KIP 10
Taman Perindustrian KIP
Sri Damansara
52200 Kuala Lumpur
Tel.: (60) 3603 627 43 120
www.nilfisk.com

MEXICO

Nilfisk de Mexico, S. de R.L. de C.V.
Pirineos #515 Int.
60-70 Microparque
Industrial WSantiago
76120 Queretaro
Tel.: (+52) (442) 427 77 00
www.nilfisk.com

NEW ZEALAND

Nilfisk Limited
Suite F, Building E
42 Tawa Drive
0632 Albany Auckland
Tel.: (+64) 9 414 1996
Website: www.nilfisk.com

NORWAY

Nilfisk AS
Bjørnerudveien 24
1266 Oslo
Tel.: (+47) 22 75 17 80
www.nilfisk.no

PERU

Nilfisk S.A.C.
Calle Boulevard 162, Of. 703, Lima 33-
Perú
Lima
Tel.: (511) 435-6840
www.nilfisk.com

POLAND

Nilfisk Sp. Z.O.O.
Millenium Logistic Park
ul. 3 Maja 8, Bud. B4
05-800 Pruszków
Tel.: (+48) 22 738 3750
www.nilfisk.pl

PORTUGAL

Nilfisk Lda.
Sintra Business Park
Zona Industrial Da Abrunheira
Edificio 1, 1° A
P2710-089 Sintra
Tel.: (+351) 21 911 2670
www.nilfisk.pt

RUSSIA

Nilfisk LLC
Vyatskaya str. 27, bld. 7/1st
127015 Moscow
Tel.: (+7) 495 783 9602
www.nilfisk.ru

SINGAPORE

Den-Sin
22 Tuas Avenue 2
639453 Singapore
Tel.: (+65) 6268 1006
www.densin.com

SLOVAKIA

Nilfisk s.r.o.
Bancíkovej 1/A
SK-821 03 Bratislava
Tel.: (+421) 910 222 928
www.nilfisk.sk

SOUTH AFRICA

Nilfisk (Pty) Ltd
Kimbult Office Park
9 Zeiss Road
Laser Park
Honeydew
Johannesburg
Tel: +27118014600
www.nilfisk.co.za

SOUTH KOREA

Nilfisk Korea
#204 2F Seoulsup Kolon Digital Tower
25 Seongsuil-ro 4-gil, Seongdong-gu
Seoul.
Tel.: (+ 82) 2 3474 4141
www.nilfisk.co.kr

SPAIN

Nilfisk S.A.
Torre d'Ara,
Passeig del Rengle, 5 Plta. 10ª
08302 Mataró
Tel.: (34) 93 741 2400
www.nilfisk.es

SWEDEN

Nilfisk AB
Taljegårdsgatan 4
431 53 Mölndal
Tel.: (+46) 31 706 73 00
www.nilfisk.se

SWITZERLAND

Nilfisk AG
Ringstrasse 19
Kircheberg/Industri Stelz
9500 Wil
Tel.: (+41) 71 92 38 444
www.nilfisk.ch

TAIWAN

Nilfisk Ltd
Taiwan Branch (H.K)
No. 5, Wan Fang Road
Taipei
Tel.: (+88) 6227 00 22 68
www.nilfisk.tw

THAILAND

Nilfisk Co. Ltd.
89 Soi Chokechai-Ruammitr
Viphavadee-Rangsit Road
Ladyao, Jatuchak, Bangkok 10900
Tel.: (+66) 2275 5630
www.nilfisk.co.th

TURKEY

Nilfisk A.S.
Serifali Mh. Bayraktar Bulv. Sehit Sk. No:7
Ümraniye, 34775 Istanbul
Tel.: +90 216 466 94 94
www.nilfisk.com.tr

UNITED ARAB EMIRATES

Nilfisk Middle East Branch
SAIF-Zone
P.O. Box 122298
Sharjah
Tel.: (+971) (0) 655-78813
www.nilfisk.com

UNITED KINGDOM

Nilfisk Ltd.
Nilfisk House, Bowerbank Way
Gilwilly Industrial Estate, Penrith
Cumbria CA11 9BQ
Tel.: (+44) (0) 1768 868995
www.nilfisk.co.uk

UNITED STATES

Nilfisk, Inc.
9435 Winnetka Ave N,
Brooklyn Park
MN- 55445
www.nilfisk.com

VIETNAM

Nilfisk Vietnam
No. 51 Doc Ngu Str.
P. Vinh Phuc, Q.Ba Dinh
Hanoi
Tel.: (+84) 761 5642
www.nilfisk.com