



GENERATING SET GE 10000 HZDM

The images are for reference



FEATURES

- Low oil pressure automatic engine shut down and high temperature
- A recessed panel protects the sockets
- Protective frame
- Automatic voltage regulation "AVR"
- Circuit breaker
- ELCB-GFI (Ground Fault Interruptor)
- Meets EC directives



air cooled



diesel



singl-phase



electric start

POWER RATINGS

* Stand-By single-phase power (LTP)	10 kVA (9 kW) / 230 V / 43.5 A
* PRP single-phase power	9 kVA (8.1 kW) / 230 V / 39.1 A
* PRP single-phase power	/
Frequency	50 Hz
Cos φ	0.9

* Output powers according to ISO 8528-1

DEFINITION

Valid declared powers up to the followings environmental conditions: temperature 25°C, altitude 100 meters above sea level)

LTP power: stand-by power: Maximum available power for use with variable loads for a yearly number of hours limited at 500 h. No overload is admitted.

PRP power: continue power with variable loads. Maximum power for use with variable loads for a yearly illimited nubers of hours.

COP power: continuous power with constant load. Maximum power for use with constant loads for a yearly unlimited numbers of hours.

ENGINE 3000 RPM

4-STROKE, DIRECT INJECTION

Model	HATZ - 1D90
* Stand-By net power	11.2 kWm (15.2 hp)
* PRP net power	10.2 kWm (13.9 hp)
* COP net power	/
Cylinders / Displacement	1 / 722 cm ³ (0.722 lt.)
Bore / Stroke	104 / 85 (mm)
Compression ratio	10.5 : 1
BMEP (Brake Mean Effective Pressure : LTP - PRP)	/
Speed governor type	Mechanical
FUEL CONSUMPTION	
110 % (Stand-by power)	3.6 lt./h
100 % to PRP	3.3 lt./h
75 % to PRP	2.5 lt./h
50 % to PRP	1.6 lt./h
COOLING SYSTEM	
Total system cap. - only engine	/
Fan air flow	/
LUBRICATION SYSTEM	
Total oil system capacity	/
Oil capacity in sump	1.9 lt.
Oil consumption at full load	/

EXHAUST SYSTEM

Maximum exhaust gas flow	/
Max. exhaust gas temp.	/
Maximum back pressure	/
External diameter exhaust pipe	/
ELECTRICAL SYSTEM	
Starter motor power	2 kW
Battery charging alternator cap.	16 A
Cold start	- 10°C
With cold start aid	Dry
AIR FILTER	
Combustion air flow	1.08 m ³ /min.
HEAT REJECTED AT FULL LOAD	
To exhaust system	/
To water and oil	/
Radiated to room	/
To charge cooler	/

ALTERNATOR

SYNCHRONOUS, THREE-PHASE, SELF-EXCITED, SELF-REGULATED, BRUSHLESS		
	WITH AVR	WITHOUT AVR
Continuous power	10 kVA	
Stand-by power	11 kVA	
Three phase voltage	220 - 240 / 110 - 120 Vac	230 / 115 Vac
Frequency	50 Hz	
$X_{0\sigma}$	1	
Model A.V.R.	HVR 11E	/
Voltage regulation acc.	$\pm 1 \%$	$\pm 5,0 \%$
Sustained short circuit current	$\leq 2.5 I_n$	3 In
Transient dip (100% load)	15 %	10 %
Recovery time	/	/
Efficiency at 100% load	80 % (230V - Cos φ 1)	79.5 % (230V - Cos φ 1)
Insulation	Class H	
Connection - Terminals	Series - N°4	
Electromagnetic compatibility (R.F.I. suppr.)	/	
Waveform distortion - THD	$< 5.5 \%$	$< 5 \%$
Telephone interference - THF	/	

REACTANCES (10 KVA - 230 V)	
Direct axis synchronous - X_d	/
Direct axis transient - X'_d	/
Subdirect axis transient - X''_d	/
Quadrature axis synchronous - X_q	/
Quadr. axis subtransient - X''_q	/
Negative sequence - X_2	/
Zero sequence - X_0	/
TIME CONSTANTS	
Transient - T'_d	/
Subtransient - T''_d	/
Open circuit - T'_{do}	/
Armature - T_a	/
Short-circuit ratio K_{cc}	/
IP protection degree	IP 23
Cooling air flow	0.082 m ³ /sec
Coupling Bearing	Diretto J609b - N°1

GENERAL SPECIFICATIONS

Fuel tank capacity	18 lt.
Running time (75% to PRP)	7.2 h
Starter battery	12 Vdc -37Ah / 330A CCA(EN)
IP protection degree	IP 23

Acoustic power L_{wA} (pressure L_{pA})	105 dB(A) (80 dB(A) @ 7m)
Performance class (ISO 8528)	G2

CONTROL PANEL

- Start and stop engine key
- Low oil pressure warning light with shutdown
- High engine temp. shutdown
- Battery charge warning light fault
- Digital multifunction meter: Voltmeter - Frequencymeter - Total Hoursmeter - Partial Hoursmeter (resettable)
- Circuit breaker
- ELCB-GFI (Ground Fault Interruptor)
- Thermal circuit breakers for 230V / 16A
- CEE output sockets : 1x 230V 32A 2P+T CEE
1x 230V 16A 2P+T CEE
1x 230V 16A 2P+T Schuko
- Earth terminal (PE)



WEIGHT - DIMENSIONS AND ACCESSORIES

GE 10000 HZDM



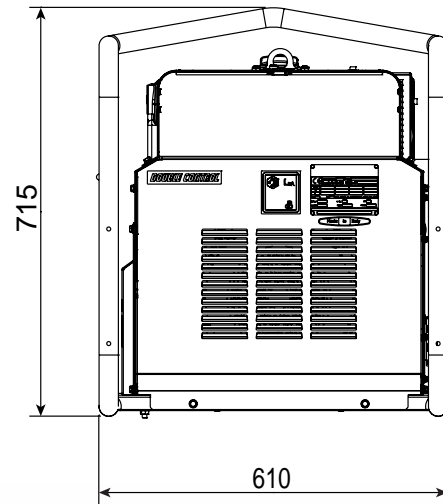
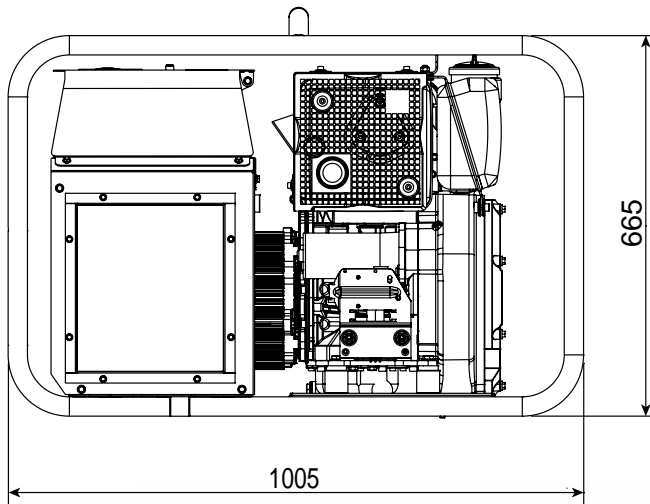
DRY WEIGHT MACHINE:

- 215 Kg

Generating set pictured may include optional accessories.



DIMENSIONS DRAW (mm)



OPTIONS ON REQUEST

- Earthing
- Trolley CTM 14



VERSIONS ON REQUEST

- /



FACTORY INSTALLATION OPTIONS

- /

GENERAL INFORMATION

COMPLIANCE GENERATING SETS WITH EC DIRECTIVES AND STANDARDS

- 2006/42 / EC (Machines Directive)
- 2014/35 / EU (Low Voltage Directive)
- 2014/30 / EU (EMC Directive)
- 2000/14 / EC (Directive Acoustic Emission for machines for use outdoors)
- ISO 8528 (Reciprocating internal combustion engine driven alternating current generating sets)



ISO 9001:2015 - Cert. 0192

WARRANTY

All devices are covered by the manufacturer's warranty.

The company reserves the right to change this specification without notice. For further information please contact the sales department.

© MOSA - Viale Europa, 59 - 20090 Cusago (Milano) - Italy - phone +39-0290352.1 - fax + 39-0290390466 E-mail: info@mosa.it Web site: www.mosa.it

