

# LIGHTFORCE 170 STRIKER

The mid-size 170 STRIKER™ outperforms many larger lights and is one of our most popular models worldwide.

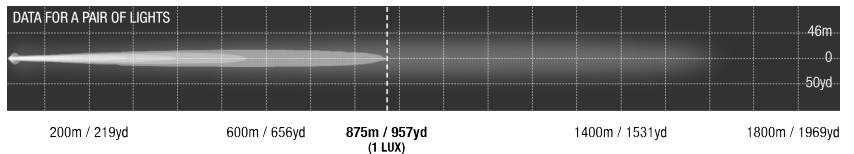
## FEATURES:

- Compact performance with optimum reflector size that outperforms larger rivals
- 12V 100 watt halogen Xenophot® 2000 hour bulb (24V halogen version available)
- Lightweight polycarbonate, glass filled nylon composite construction
- Gore® protective vent (IP57 / IP67 / IP68 / IP69K) to protect against moisture / contaminant ingress
- Focusable beam pattern (spot to wide)
- Ideal additional light partnered with 240 BLITZ / XGT / HID for off-road motorsport
- Compatible with the Lightforce modular filter system
- 3 year warranty.

## HID:

- Characteristic aluminium hard anodised bulb holder
- 50W / 70W external ballasts | Encapsulated for durability
- Long leads | Mount the ballast under the hood
- 12V or 24V DC versions are available
- 4200 / 5000°K super white | Closer to daylight
- Long life 3000 hour bulb
- Reverse polarity circuit protection.

## DATA FOR A PAIR OF HALOGEN LIGHTS:



## KIT INCLUSIONS:

- 2 x Striker 12V Halogen Driving Lights (RMDL170), or
- 2 x Striker 12V / 24V 50W HID Driving Lights (HID170T50W), or
- 2 x Striker 12V / 24V 70W HID Driving Lights (CBHID170T7042)
- 2 x Spot filters
- 1 x User instructions.

Additional variations can be found at [lightforce.com](http://lightforce.com).



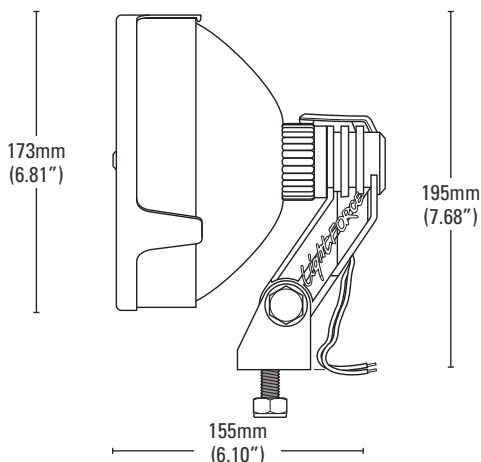
## SPECIFICATIONS:

- Current draw: (100W halogen ) 9.2 Amps @ 13.2V | (50W HID) 4.16 Amps
- Light output: (100W halogen) 1 Lux @ 875m | (50W HID) 1 Lux @ 1357m | (70W HID) 1 Lux @ 1768m
- Operating temperature -40°C to 63°C (-40°F to 145°F)
- Weight including bracket (single unit) 560g - 1lb 3.75oz.

## OPTIONAL ACCESSORIES:

- Driving light base - low mount (MVDL)
- 170mm replacement reflector (REFH170)
- Driving light harness (LFDLH)
- Assorted modular filters
- Lock nut kit (ATNKIT)

## DIMENSIONS:



**LightFORCE**