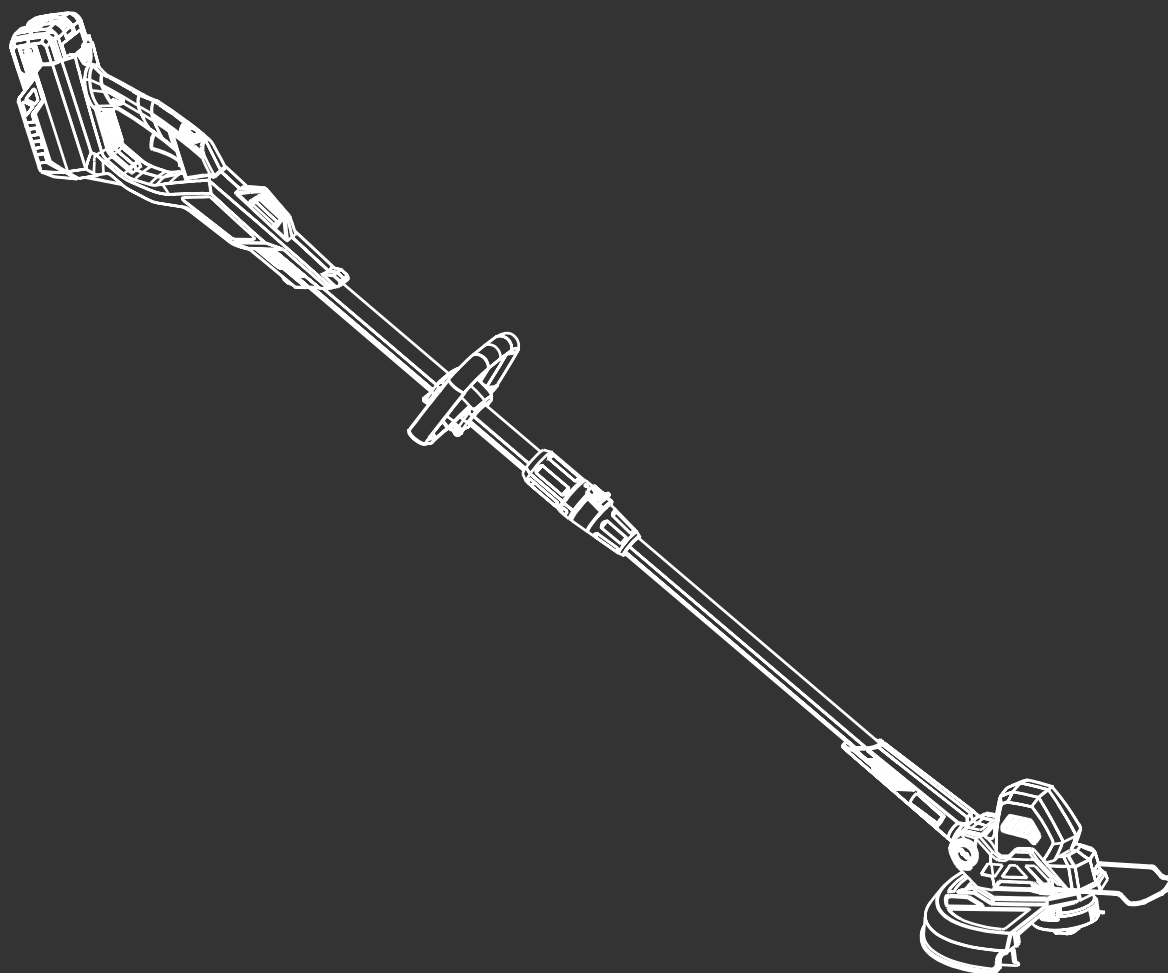


**HYUNDAI**  
POWER PRODUCTS



# 40V GRASS TRIMMER HY40ST13

Instruction Manual



# HYUNDAI POWER PRODUCTS

## **Thank You For Purchasing Your HYUNDAI Product**

**We work very hard to give all of our customers the best possible service.  
If you have any problems, before leaving negative feedback, please contact  
us to give us a chance to resolve the issue.**

**We would be delighted if you left us positive feedback!  
Thank you for purchasing this product.**

This manual has been produced by Hyundai Power Products and should be kept with the product. Please read and understand these instructions before you use your product. Failure to do this may result in personal injury or damage to the product.

The safety precautions and warnings are to ensure your safety and protect you from harm or damage to the product.

The information contained in this manual was accurate at the time of production, however HYUNDAI Power Products may make modifications to the product without notification.

HP Equipment Pty Ltd

547 Tarragindi Rd

Salisbury Queensland

Australia 4107

## CONTENTS








- Contents.....3
- Specifications.....4
- Symbols.....5
- Safety Instructions.....6-7
- Major Parts of the Line Trimmer.....8
- Assembly and Operation.....9-12

## PRODUCT SPECIFICATIONS

Model	HY40ST13
Rated Voltage	40V DC
No Load Speed	7200rpm
Cutting head	Auto feed
Cutting Line Diameter	1.6mm
Cutting Swath Diameter	330mm
Weight (w/o battery pack)	3.0kg
Guaranteed sound power level	96 dB(A)
Battery Pack	Lithium Ion – ZE40B2, ZE40B4 (2.0, 4.0Ah).
Battery Charger	HY40C2 or HY40C5 (2.0A or 5.0A)

These instructions should be read in conjunction with the instruction manual for the battery pack and charger.

## SYMBOLS

	Warning, safety alert.
	Read and follow all safety precautions in the owner's manual.
	Protective goggles/visor, protective helmet & hearing protection.
	Do not expose to rain.
	Beware of thrown or flying objects to bystanders. Keep bystanders a safe distance away from the machine.
	Thrown objects can ricochet and result in personal injury or property damage. Wear protective clothing and boots.
	Beware of falling objects. Keep bystanders away. .

## Read All Instructions

### WARNING:

When using electric gardening appliances, basic safety precautions should always be followed to reduce the risk of fire, electric shock, and personal injury.

- 1) Avoid Dangerous Environment – Don't use appliances in damp or wet locations.
- 2) Don't Use In Rain.
- 3) Keep Children Away – All visitors should be kept at a distance from work area.
- 4) Dress Properly – Do not wear loose clothing or jewelry. They can be caught in moving parts. Use of rubber gloves and substantial footwear is recommended when working outdoors. Wear protective hair covering to contain long hair.
- 5) Use Safety Glasses – Always use face or dust mask if operation is dusty.
- 6) Use Right Appliance – Do not use appliance for any job except that for which it is intended.
- 7) Avoid Unintentional Starting – Don't carry plugged-in appliance with finger on switch. Be sure switch is off when plugging in.
- 8) Don't Force Appliance – It will do the job better and with less likelihood of a risk of injury at the rate for which it was designed.
- 9) Don't Overreach – Keep proper footing and balance at all times.
- 10) Stay Alert – Watch what you are doing. Use common sense. Do not operate appliance when you are tired.
- 11) Store Idle Appliances Indoors – When not in use, appliances should be stored indoors in dry, and high or locked-up place – out of reach of children.
- 12) Maintain Appliance With Care – Keep cutting edge sharp and clean for best performance and to reduce the risk of injury. Follow instructions for lubricating and changing accessories. Inspect appliance cord periodically, and if damaged, have it repaired by an authorized service facility. Inspect extension cords periodically and replace if damaged. Keep handles dry, clean, and free from oil and grease.
- 13) Check Damaged Parts – Before further use of the appliance, a guard or other part that is damaged should be carefully checked to determine that it will operate properly and perform its intended function. Check for alignment of moving parts, binding of moving parts, breakage of parts, mounting, and any other condition that may affect its operation. A guard or other part that is damaged should be properly repaired or replaced by an authorized service center unless indicated elsewhere in this manual.
- 14) Do not charge appliance in rain, or in wet locations.
- 15) Do not use battery-operated appliance in rain.
- 16) Remove or disconnect battery before servicing, cleaning or removing material from the gardening appliance.
- 17 ) Use only the specified type and size battery(ies)
- 18 ) Do not dispose of the battery(ies) in a fire. The cell may explode. Check with local codes for possible special disposal instructions.
- 19) Do not open or mutilate the battery(ies). Released electrolyte is corrosive and may cause damage to the eyes or skin. It may be toxic if swallowed.
- 20) Exercise care in handling batteries in order not to short the battery with conducting materials such as rings, bracelets, and keys. The battery or conductor may overheat and cause burns.

SAVE THESE INSTRUCTIONS

# SAFE OPERATING PRACTICES

## 1. Training

- a) Read the instructions carefully. Be familiar with the controls and the correct use of the machine.
- b) Never allow children or people unfamiliar with these instructions to use the machine. Local regulations can restrict the age of the operator.
- c) Keep in mind that the operator or user is responsible for accidents or hazards occurring to other people or their property.

## 2. Preparation

- a) Before use, always visually inspect the machine for damaged, missing or misplaced guards or shields.
- b) Never operate the machine while people, especially children, or pets are nearby.

## 3. Operation

- a) Wear eye protection and stout shoes at all times while operating the machine.
- b) Avoid using the machine in bad weather conditions especially when there is a risk of lightning.
- c) Use the machine only in daylight or good artificial light.
- d) Never operate the machine with damaged guards or shields or without guards or shields in place.
- e) Switch on the motor only when the hands and feet are away from the cutting means.
- f) Always disconnect the machine from the battery pack
  - 1) whenever the machine is left unattended;
  - 2) before clearing a blockage;
  - 3) before checking, cleaning or working on the machine;
  - 4) after striking a foreign object;
  - 5) whenever the machine starts vibrating abnormally.
- g) Take care against injury to feet and hands from the cutting means.
- h) Always ensure that the ventilation openings are kept clear of debris.

## MAJOR PARTS OF THE LINE TRIMMER



1. Battery
2. Battery pack lock
3. Main Switch
4. Safety switch
5. Trigger switch
6. Auxiliary handle
7. Lock wrench
8. Adjustment Button
9. Lock sleeve and edging function button
10. Angle adjustment button
11. Guard
12. Blade
13. Plant protector
- Sholder belt



## ASSEMBLY



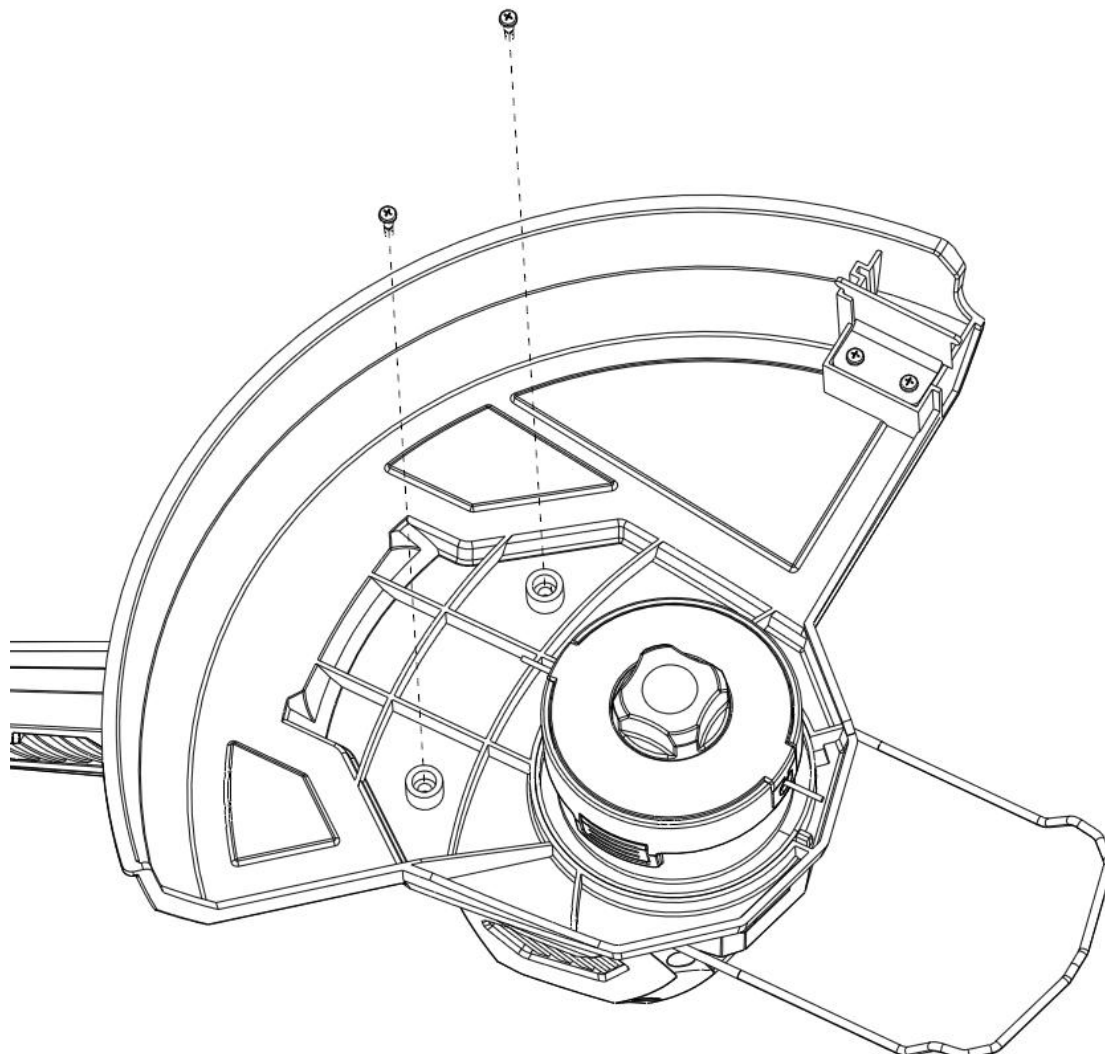
Warning! Remove the battery pack before cleaning or maintaining the tool, fitting the edger wheel or plant guard or before making any adjustments to the tool, especially around the string head.

Remove battery pack before transporting or storing the tool

### Fitting the guard

The guard is an essential part of the tool and must ALWAYS be used. Otherwise damage to the trimmer and injury to the operator may occur. The guard is not fitted to the trimmer when it is delivered to you to avoid damage in transit.

To fit the guard, align the opening in the guard with the underside of the trimmer head as shown. Tighten the four screws (highlighted in the drawing) to fix the guard in place.

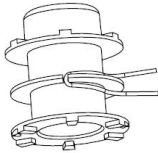


## Rewinding the spool

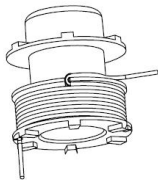
The spool is supplied with the line pre-wound. The twisted line is 1.65mm (0.065") in diameter, which gives good cutting performance and reduced noise. Follow the instructions below to rewind new line onto the spool.

To remove the string head, press and hold the shaft lock button and unscrew the head anti-clockwise.

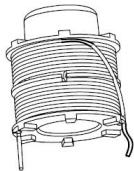
Component parts of the string head



Cut a piece of nylon line 1.65mm (0.065") in diameter maximum 12m long (you may find it easier to practice with a shorter line length at first). Find the centre of the line and loop it onto the notch in the centre flange of the spool. Wind the line around the spool, in the direction indicated by the arrow on the spool, keeping each end of the line in its own channel. Keep the line tight as you wind so that the line coils smoothly onto the spool



Wrap the line around the spool leaving about 20cm line exposed on each side



Keep the line tight and clip the lines into the notches in the bottom flange of the spool to hold the line in place while you fit the spool into the housing.

The smaller end of the spring goes into the top of the spool

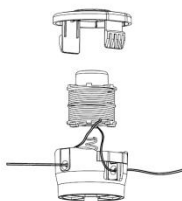
Then put the spool and spring into the housing leaving the ends of the line protruding from the cut outs on each side.

Thread the string guides onto the line as shown

Slide into place. Do the same on both sides.

Position the cover in place as shown and press the cover onto the housing until the clips snap into place.

Pull on both ends of the line to free them from the notches in the spool.



To replace the spool, press on the spool lock button and screw the head clockwise onto the shaft and hand tighten.

## OPERATION



BEFORE OPERATING THIS TOOL, ENSURE THAT THE GUARD IS FITTED TO THE HEAD OF THE MACHINE. NEVER USE THE MACHINE WITHOUT THE GUARD

### Fitting and Removal of the battery



The battery should always be removed whenever you are not using the tool and especially when you are adjusting or transporting the tool to avoid accidental operation.

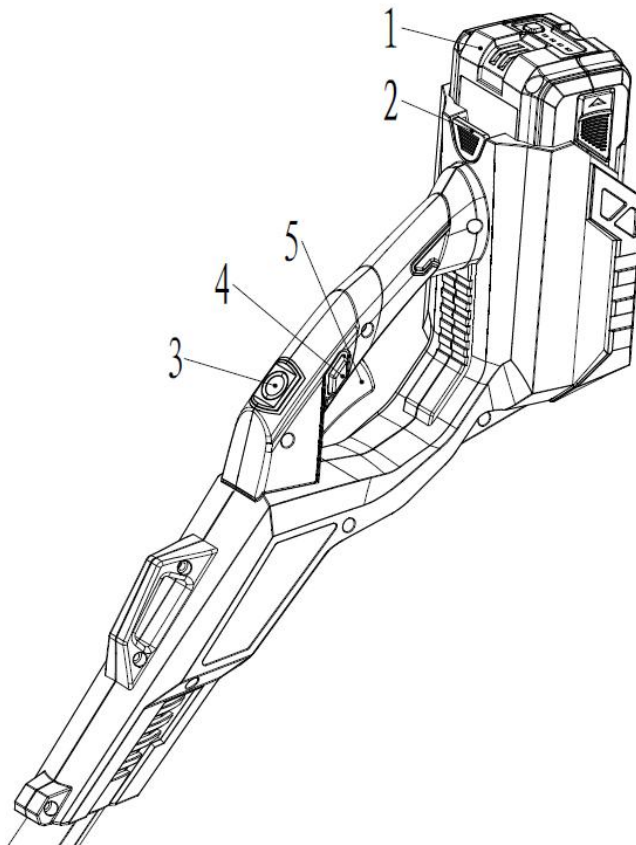
To insert the battery, slide it into the battery cradle on the top of the line trimmer, aligning the ribs in the cradle with the slots in the battery until it latches into place. Check that the battery is securely locked into place

To remove the battery press and hold the latch on the rear of the battery pack and slide the battery away from the trimmer.

### Starting/Stopping the trimmer:

To switch the trimmer on(3), press and hold the safety switch (4) and hold the trigger switch (5) on the handle at meanwhile. To switch the trimmer off, release the trigger switch.

Be aware that the spool will continue to rotate for a short period.

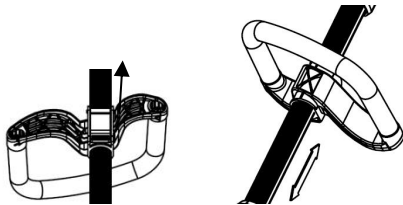


## Adjusting the line length – Bump feed head

During use, the line will become worn, or may break off if it strikes a stone or a similar hard object. To increase the length of the line, switch on the trimmer and while it is running tap the head of the trimmer against the ground. When the orange button on the trimmer head is bumped against the ground, centrifugal force will extend the line. Excess line will be cut off by the cutting blade built into the ground.

## Height adjustable handle

The auxiliary handle (5) is height adjustable. To move the handle, first release the orange handle clamp on the underside of the handle. Slide the handle to the desired height and clamp in position



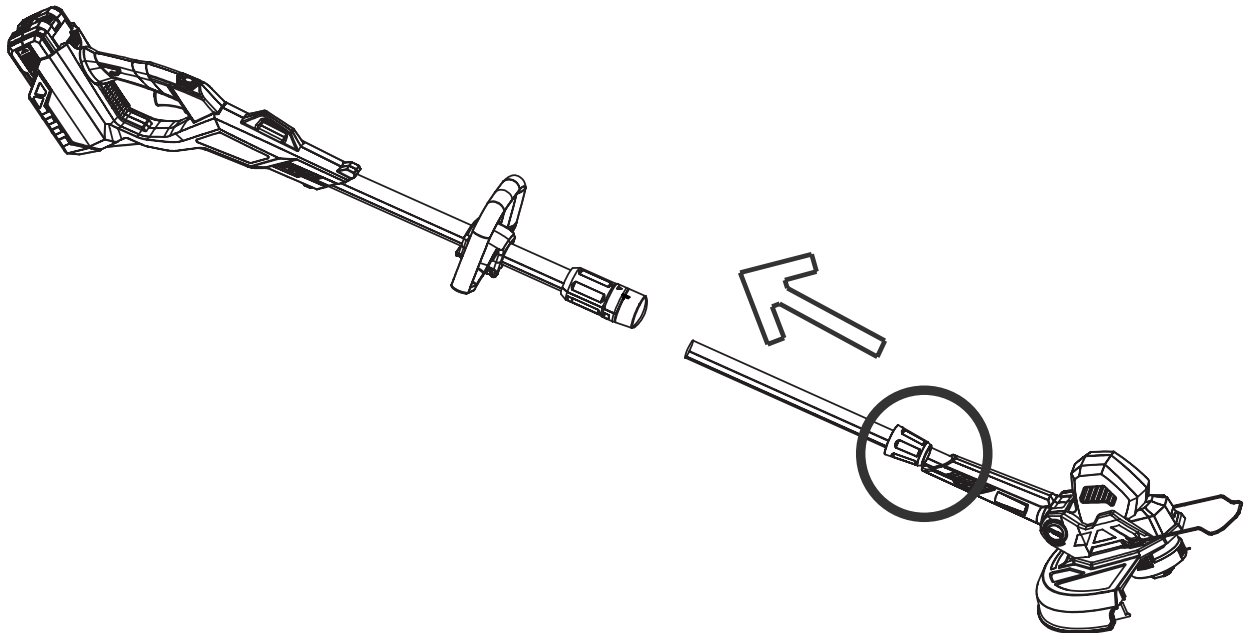
## Setting the trimmer head angle

The angle of trimmer head can be set to different working positions.

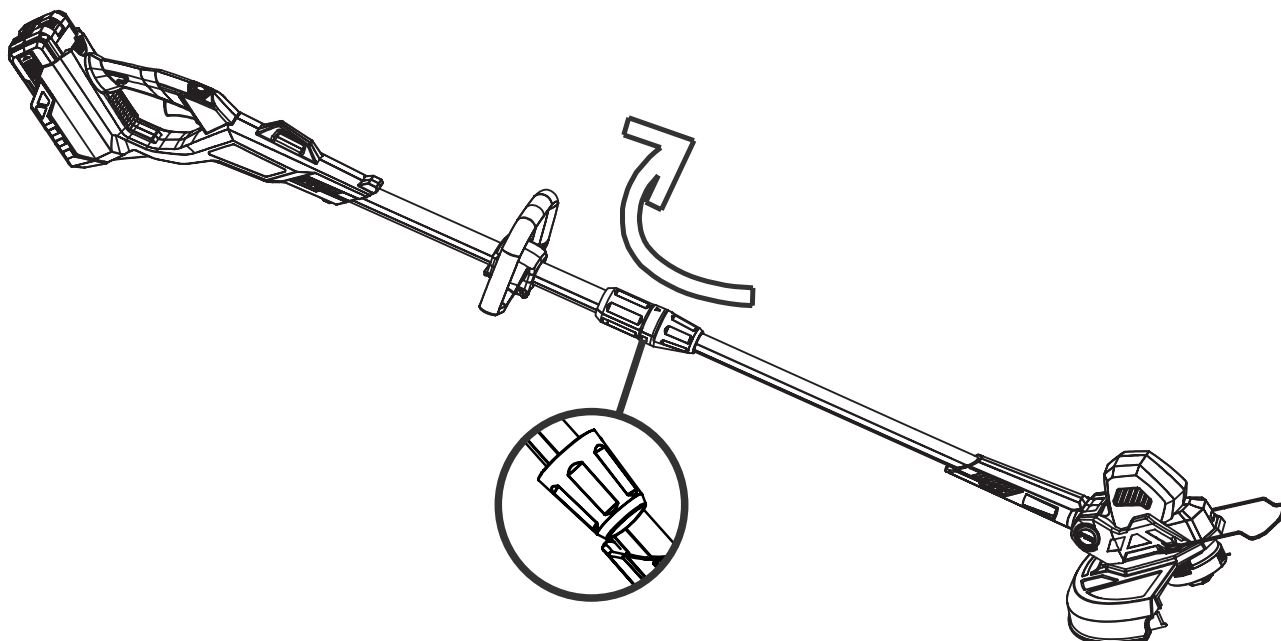
Press the "PUSH" button with one hand and rotate the trimmer head to the required position. Release the "PUSH" button and the head will lock into place. There are 5 preset lock positions

## Setting the handle length

Insert the lower tube into the upper tube.



Rotate the sheath and tighten it.



## Maintenance, storage and disposal

1. Disconnect the machine from the battery pack before carrying out maintenance or cleaning work.
2. When not in use store the machine out of the reach of children.
3. Use only manufacturer recommended replacement parts and accessories.
4. To clean the tool, remove battery pack and use only mild soap and a damp cloth to clean the tool. Do not immerse tool in water or spray with a hose. Do not allow any liquid to get inside it. Do not clean with a pressure washer.
5. Inspect and maintain the machine regularly. Have the machine repaired only by an authorized repairer.
6. The battery must be removed from the appliance before it is scrapped.
7. The appliance must be disconnected from the supply mains when removing the battery.
8. The battery is to be disposed of safely.

**HYUNDAI**  
POWER PRODUCTS

HP Equipment Pty Ltd  
547 Tarragindi Rd  
Salisbury Queensland  
Australia 4107

Licensed by Hyundai Corporation, Korea