

# Gasmate®

## WATERTECH

# SHOWER STAND FOR PORTABLE HOT WATER SYSTEM

Model No. HWS0023

Designed for use with Water-Tech 3Ltr Portable Water Heater  
Unique Mounting System  
Aluminium and Steel Construction  
Height Adjustable  
Ground Stakes and Storage Bag



For any queries or assistance call

**Customer Service**

Australia Only

**1300 174 876** 

Hours of operation:

Monday to Friday 8.00am - 5.00pm EST

Email: [sales@sitro.com.au](mailto:sales@sitro.com.au)

**Do not return to place of purchase.** Keep your purchase receipt, this will be required to make any claims under the 12 month warranty.

NEW ZEALAND ONLY For warranty details visit [www.gasmate.co.nz](http://www.gasmate.co.nz)

For warranty claims return to place of purchase. Your purchase receipt will be required for warranty claims.



 **NOTE: USE OUTDOORS ONLY**

**Important: Retain these instructions for future use**



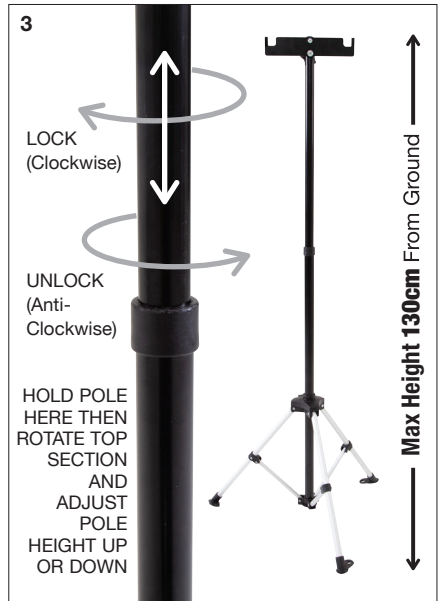
1. Select a level and stable surface free of obstacles



Base Hand Wheel



2. Loosen hand wheel on base and adjust the legs into the most stable position



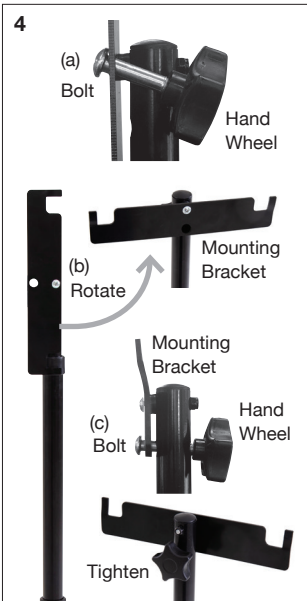
LOCK (Clockwise)

UNLOCK (Anti-Clockwise)

HOLD POLE HERE THEN ROTATE TOP SECTION AND ADJUST POLE HEIGHT UP OR DOWN

Max Height 130cm From Ground

3. Twist the pole in an Anti Clock Wise direction and extend to the required height, then tighten in a Clock Wise Direction



4. (a) Remove hand wheel and bolt  
(b) Rotate mounting bracket into position  
(c) Replace hand wheel and bolt then tighten



5. Mount Water Heater using the unique mounting system that hooks into the carry handle assembly



6. Secure to ground using the stakes provided

### CARE INSTRUCTIONS

Using warm soapy water with a mild detergent wipe down all surfaces and areas of the appliance. DO NOT submerge the appliance in a sink or bowl.

DO NOT use abrasive cleaners or bleach.