**READ ME !** ⚠

Thank you for purchasing a Front Runner Single Jerry Can Holder.

Before you start, take a moment to familiarize yourself with the Fitting Instructions and the components received.

Refer to Page 2 for a list of all the components, quantities and tools required.

IMPORTANT WARNING! ⚠

IT IS CRITICAL THAT ALL FRONT RUNNER PRODUCTS BE PROPERLY AND SECURELY ASSEMBLED AND ATTACHED TO YOUR VEHICLE. IMPROPER ATTACHMENT COULD RESULT IN AN AUTOMOBILE ACCIDENT, AND COULD CAUSE SERIOUS BODILY INJURY OR DEATH. YOU ARE RESPONSIBLE FOR ASSEMBLING AND SECURING ALL FRONT RUNNER PRODUCTS TO YOUR VEHICLE, CHECKING THE ATTACHMENTS PRIOR TO USE, AND PERIODICALLY INSPECTING THE PRODUCTS FOR ADJUSTMENT, WEAR AND DAMAGE. THEREFORE, YOU MUST READ AND UNDERSTAND ALL OF THE INSTRUCTIONS AND PRECAUTIONS SUPPLIED WITH YOUR FRONT RUNNER PRODUCT PRIOR TO INSTALLATION OR USE. IF YOU DO NOT UNDERSTAND ALL OF THE INSTRUCTIONS AND CAUTIONS, OR IF YOU HAVE NO MECHANICAL EXPERIENCE AND ARE NOT THOROUGHLY FAMILIAR WITH THE INSTALLATION PROCEDURES, YOU SHOULD HAVE THE PRODUCT INSTALLED BY A PROFESSIONAL INSTALLER OR OTHER QUALIFIED PERSONNEL.

NOTE: Front Runner will not be responsible for any damage caused by the failure to install the product according to these instructions.

Please call us if you have any questions about the installation of this product.

1

GET ORGANIZED

IN THE BOX

1	1 X	Top Strap
2	3 X	M5 Nyloc Nut
3	3 X	M5 Flat Washer
4	1 X	Cross Strap
5	1 X	Jerry Can Holder Base
6	2 X	M4 x 10 Button Head
7	1 X	Latch
8	2 X	M4 Flat Washer
9	2 X	M4 Nyloc Nut
10	2 X	M5 x 12 Button head
11	1 X	Latch Keeper
12	4 X	M8 Half Nut
13	4 X	M8 Schnorr Washer
14	4 X	M8 x 12 Button Head

TOOLS NEEDED

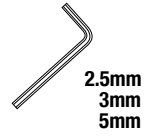
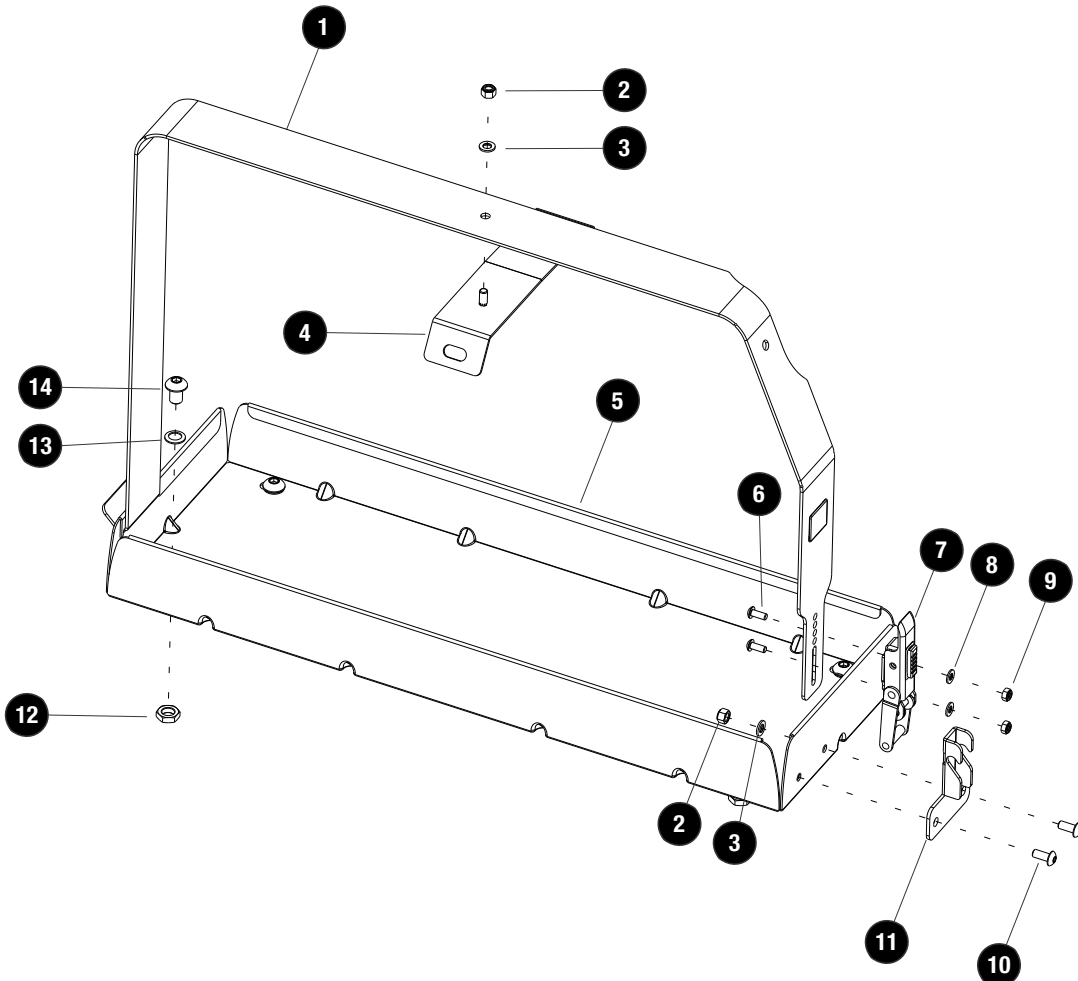


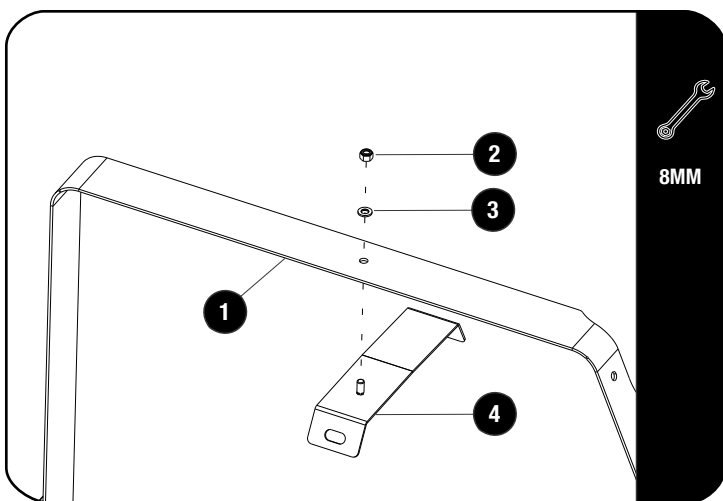
FIGURE 1.1



2

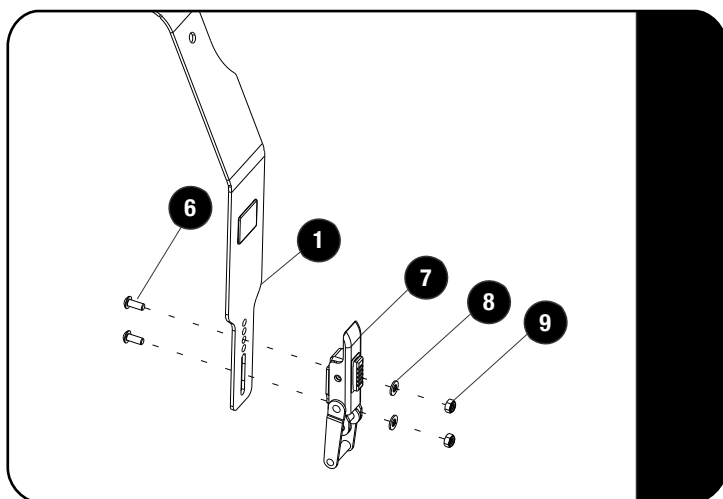
FIT AND SECURE

2.1



Secure the Cross Strap (Item 4) to the Top Strap (Item 1) using a M5 Nyloc Nut and M5 x 10 x 1SS Flat Washer (Items 2 & 3) as shown.

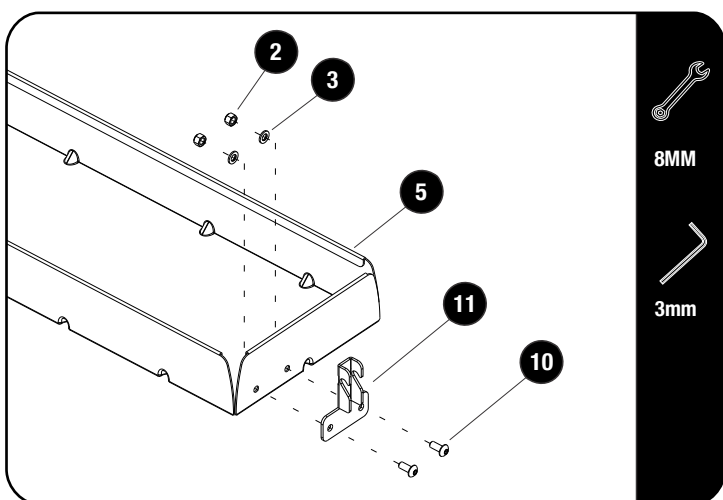
2.2



Loosely fit the Latch (Item 7) to the Top Strap (Item 1) using M4 x 10 Button head, M4 Flat Washers and M4 Nyloc Nuts (Items 6, 8 & 9) as shown.

In Step 2.6 you will do final adjustments to the Latch before fully tightening.

2.3

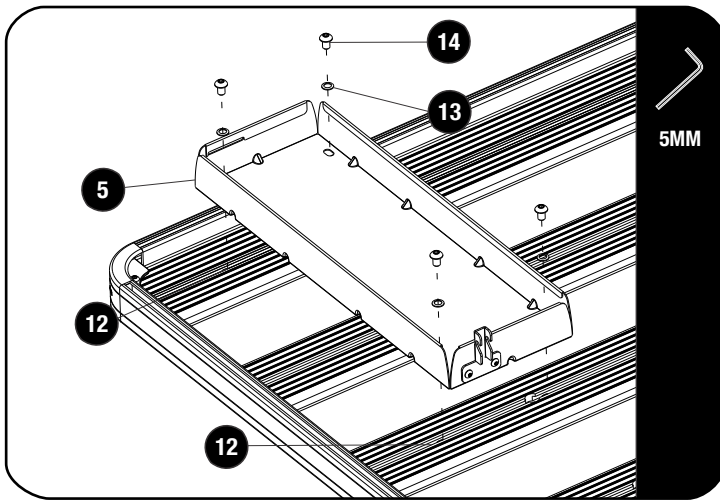


Secure the Latch Keeper (Item 11) to the Jerry Can Holder Base (Item 5) using two M5 x 12 Button Heads, two M5 Flat Washers and Two M5 Nyloc Nuts (Items 10, 3 & 2) as shown.

2

FIT AND SECURE

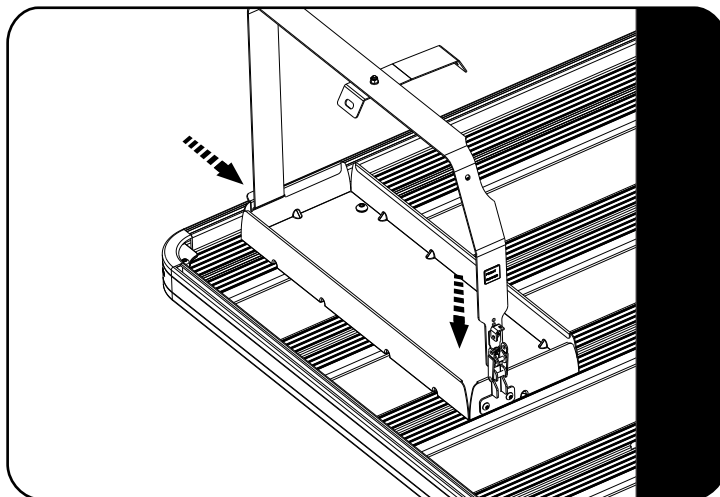
2.4



Decide where on the Rack you want to mount the Jerry Can Holder.

Slide two M8 Half Nuts (Item 12) into each of the chosen slat. Secure the Jerry Can Holder Base (Item 5) to the Rack using M8 x 12 Button Head Bolts and M8 Schnorr Washers (Items 14 & 13) as shown.

2.5



Insert the two Top Straps into the rear slot in the Jerry Can Holder Base.

Lift the Straps and place the jerry cans into the Holder.

Open the latches and hook them into the Latch Keepers on the Jerry Can Holder Base.

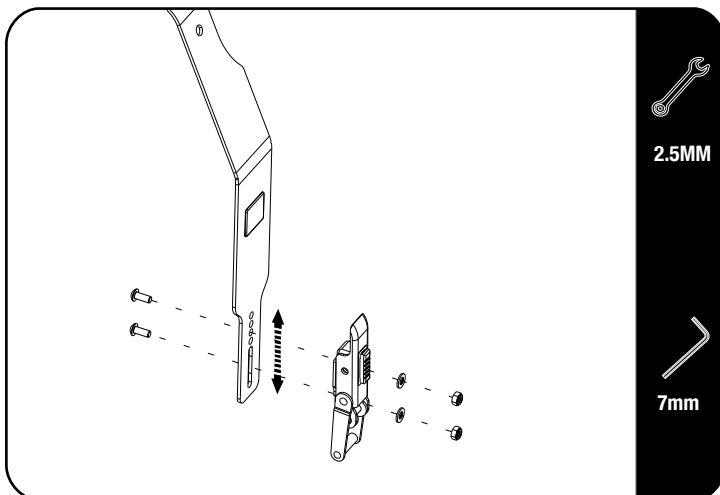
Engage the latches.

If the Top Straps are tight and prevent the latches from fully engaging or if the jerry cans is still loose see 2.6 for instructions.



Do not set the latches to tight.

2.6



If the Latches are to tight and can not engage fully, move them one hole down and repeat 2.5 to test.

If the Latches are to loose and the jerry can still move in the Base, move them one hole up and repeat 2.5 to test.

When you are happy that the jerry cans are properly secured on the base use an 2.5mm allen key and a 7mm spanner to fully tighten the four bolts holding the Latches to the Top Strap.

3

FINISH

Congratulations! You did it. Take a step back and admire your work!

4

INSTALL OTHER VEHICLE AND RACK ACCESSORIES

Now's the time to visit your favorite Front Runner Dealer in person or online.

Be sure to tag us. We love to see our gear in action! #FrontRunnerOutfitters #BornToRoam

Share your adventures on: 