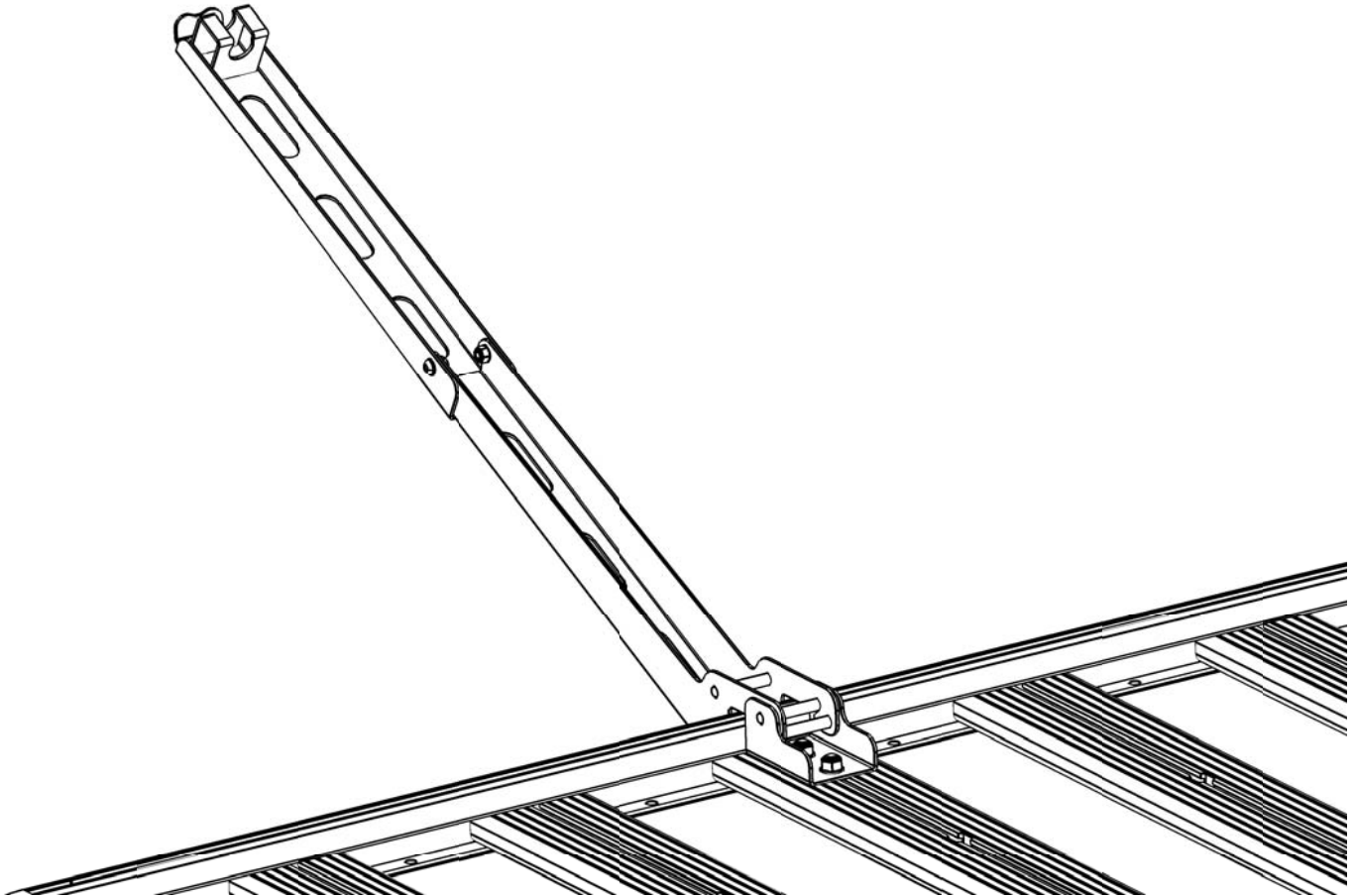


**INSTALL TIME: 15 mins**

### **IMPORTANT WARNING!**

**IT IS CRITICAL THAT ALL FRONT RUNNER PRODUCTS BE PROPERLY AND SECURELY ASSEMBLED AND ATTACHED TO YOUR VEHICLE. IMPROPER ATTACHMENT COULD RESULT IN AN AUTOMOBILE ACCIDENT, AND COULD CAUSE SERIOUS BODILY INJURY OR DEATH TO YOU OR TO OTHERS. YOU ARE RESPONSIBLE FOR ASSEMBLING AND SECURING ALL FRONT RUNNER PRODUCTS TO YOUR VEHICLE, CHECKING THE ATTACHMENTS PRIOR TO USE, AND PERIODICALLY INSPECTING THE PRODUCTS FOR ADJUSTMENT, WEAR, AND DAMAGE. THEREFORE, YOU MUST READ AND UNDERSTAND ALL OF THE INSTRUCTIONS AND CAUTIONS SUPPLIED WITH YOUR FRONT RUNNER PRODUCT PRIOR TO INSTALLATION OR USE. IF YOU DO NOT UNDERSTAND ALL OF THE INSTRUCTIONS AND CAUTIONS, OR IF YOU HAVE NO MECHANICAL EXPERIENCE AND ARE NOT THOROUGHLY FAMILIAR WITH THE INSTALLATION PROCEDURES, YOU SHOULD HAVE THE PRODUCT INSTALLED BY A PROFESSIONAL INSTALLER OR OTHER QUALIFIED PERSONNEL.**

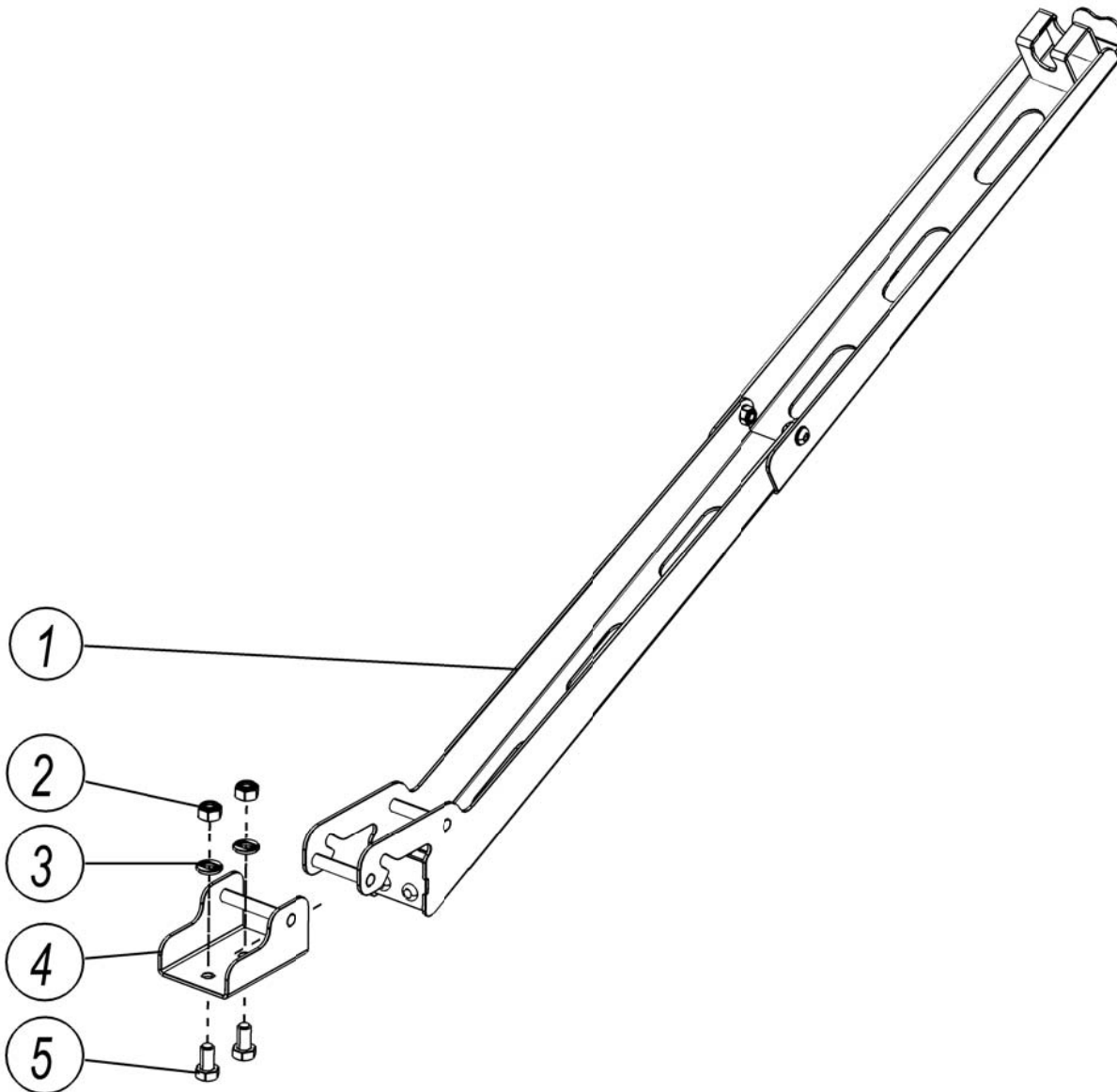
# 1 GET ORGANIZED...

Here is what you are looking at:

Item#	Quantity	Description
1	1	SHOWER ARM
2	2	M8 NYLOC NUT
3	2	M8 FLAT WASHER
4	1	SHOWER MOUNT
5	2	M8 x 16 HEX BOLT

## You will need

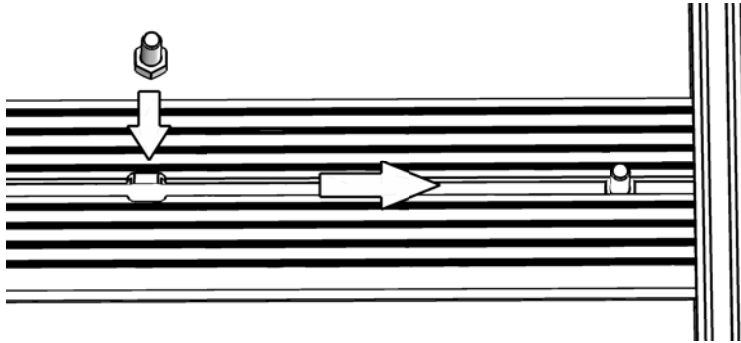
- Slimline I or II Rack
- 13 mm Flat or Socket Wrench
- Ladder



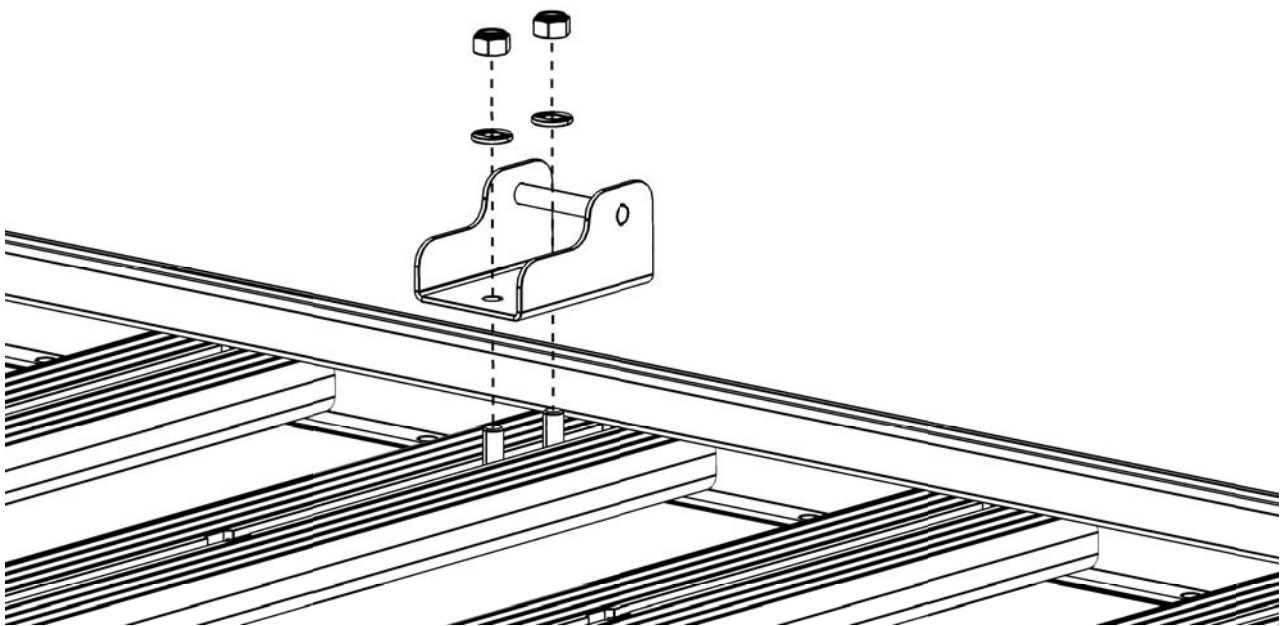
(A) Familiarize yourself with the parts and then step away from the work area and read through these instructions from beginning to end. Take a moment as a little prep now may save you a lot of time later.

## 2 INSTALL SHOWER ARM

- (A) Looking at your Rack, find a suitable place to mount your shower arm. Using two M8 x 16 Hex bolts, slide the bolts into the T-slot as shown.



- (B) Place the Shower Mount over the two M8 x 16 Hex bolts with the round bar towards the outside edge of the Rack. The bracket must be 4mm from the inside edge of the rack. Fasten in position using the M8 Flat washers and M8 Nyloc nuts supplied.

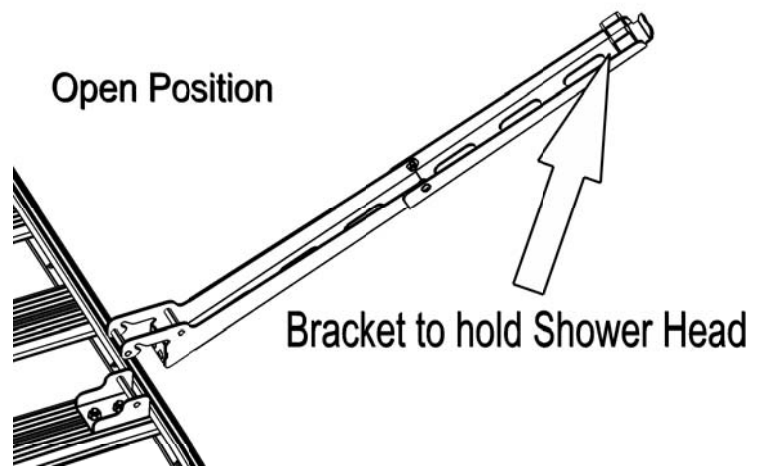
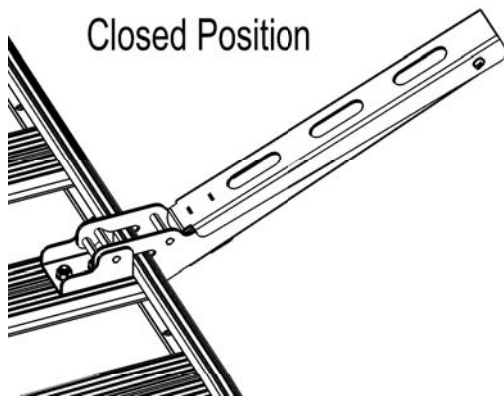


## 2 INSTALL SHOWER ARM CONT...

- ( C ) The Shower Arm attaches to the Shower Mount by sliding the slots in the Shower Arm into the Rod on the Shower Mount. The Shower Arm is stored in its folded position to save space. When in use it is extended out to the open position.



**NOTE:** The Shower Arm **MUST** be removed from the Shower Mount when the shower is not in use and stored in your vehicle.



## 3 INSTALL OTHER VEHICLE AND RACK ACCESSORIES

- ( A ) Now's the time to visit your favorite Front Runner dealer in person or online.