

## READ ME !

Thank you for purchasing Front Runner LED Light Mounting Brackets.

Before you start, take a moment to familiarize yourself with the Fitting Instructions and the components received.

Refer to Page 2 for a list of all the components, quantities and tools required.

## IMPORTANT WARNING!

IT IS CRITICAL THAT ALL FRONT RUNNER PRODUCTS BE PROPERLY AND SECURELY ASSEMBLED AND ATTACHED TO YOUR VEHICLE. IMPROPER ATTACHMENT COULD RESULT IN AN AUTOMOBILE ACCIDENT, AND COULD CAUSE SERIOUS BODILY INJURY OR DEATH. YOU ARE RESPONSIBLE FOR ASSEMBLING AND SECURING ALL FRONT RUNNER PRODUCTS TO YOUR VEHICLE, CHECKING THE ATTACHMENTS PRIOR TO USE, AND PERIODICALLY INSPECTING THE PRODUCTS FOR ADJUSTMENT, WEAR AND DAMAGE. THEREFORE, YOU MUST READ AND UNDERSTAND ALL OF THE INSTRUCTIONS AND PRECAUTIONS SUPPLIED WITH YOUR FRONT RUNNER PRODUCT PRIOR TO INSTALLATION OR USE. IF YOU DO NOT UNDERSTAND ALL OF THE INSTRUCTIONS AND CAUTIONS, OR IF YOU HAVE NO MECHANICAL EXPERIENCE AND ARE NOT THOROUGHLY FAMILIAR WITH THE INSTALLATION PROCEDURES, YOU SHOULD HAVE THE PRODUCT INSTALLED BY A PROFESSIONAL INSTALLER OR OTHER QUALIFIED PERSONNEL.

**NOTE:** Front Runner will not be responsible for any damage caused by the failure to install the product according to these instructions.

Please call us if you have any questions about the installation of this product.

# 1

## GET ORGANIZED

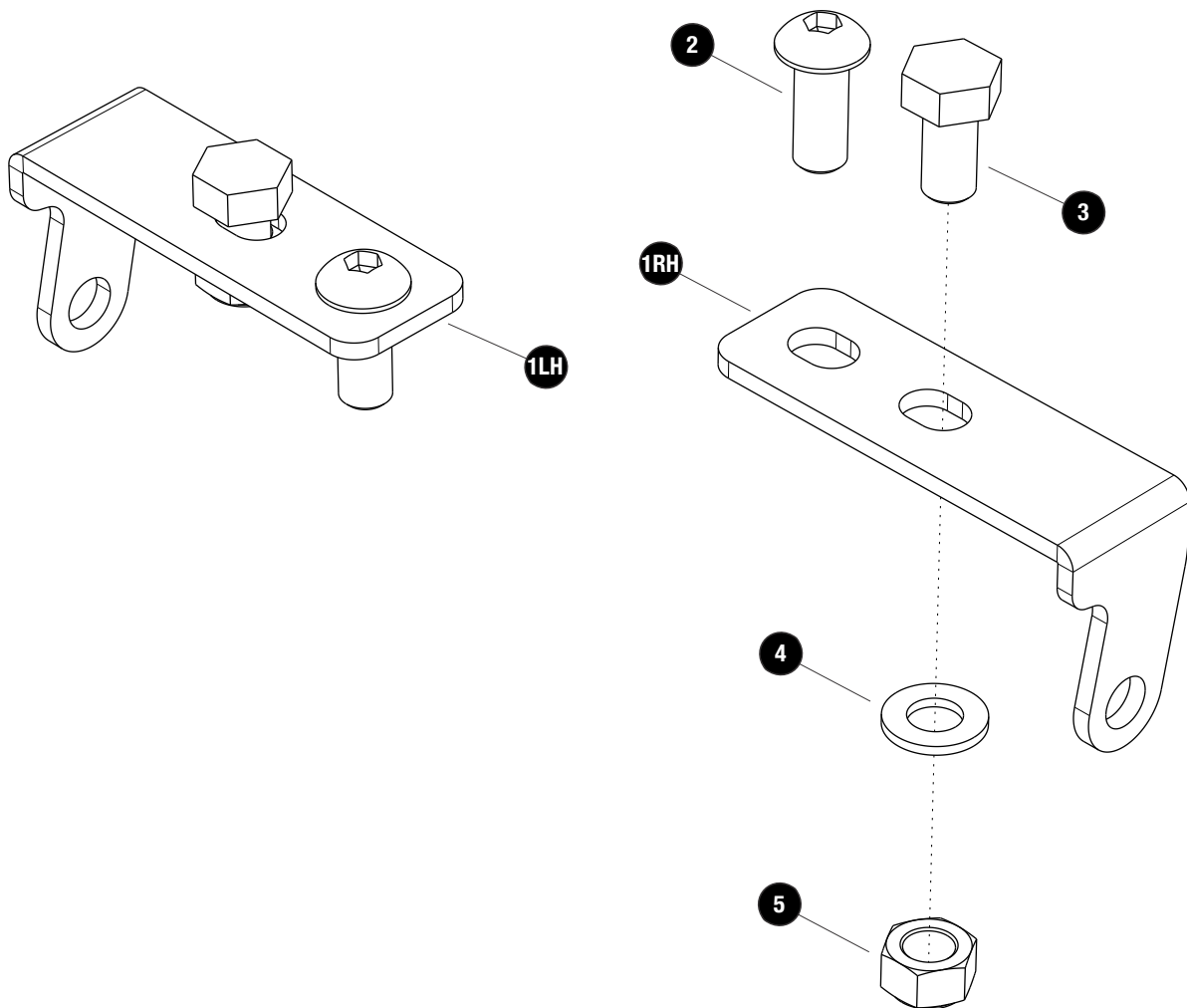
### IN THE BOX

1	2 X	Mounting Bracket 1LH + 1RH
2	2 X	M8 x 20 Button Head Bolt
3	2 X	M8 x 16 Hex Bolt
4	2 X	M8 x 16 x 1.6SS Flat Washer
5	2 X	M8 Nyloc Nut

### TOOLS NEEDED

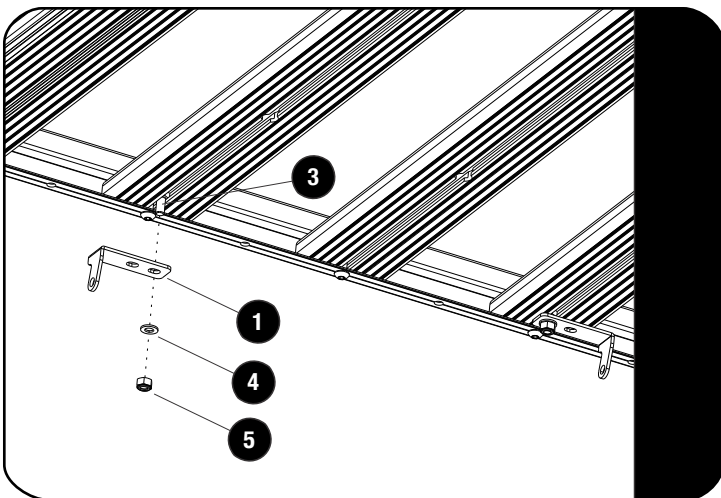


FIGURE 1.1



**2****FIT AND SECURE - BELOW RACK FITMENT**

2.1



Choose where on the rack you would like to fit the LED light.

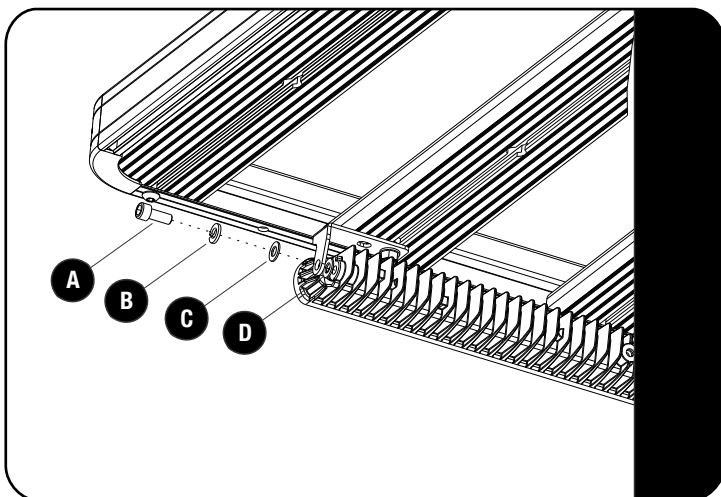


If you decided to fit the the light on top of the rack, on the Combined Slat or Side Profile proceed to 2.4.

Slid two M8 x 16 Hex Bolts (Item 3) into the slats.

Loosely fit the Mounting Brackets (Item 1) using M8 x 16 x 1.6SS Flat Washers and M8 Nyloc Nuts (Items 4 & 5) as shown.

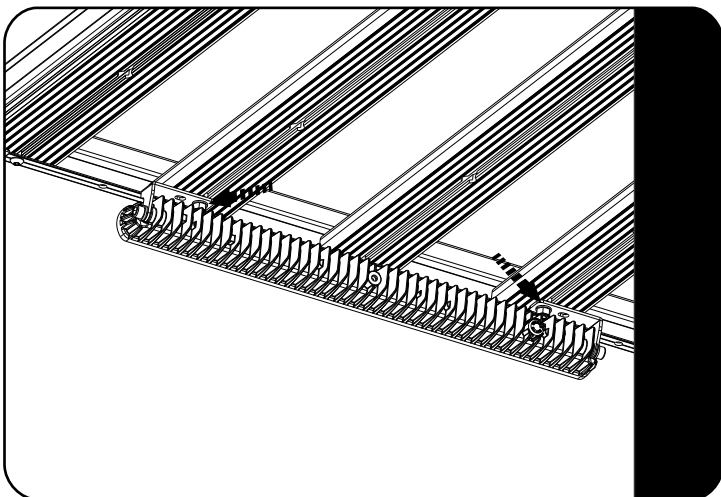
2.2



Fit the LED light to the brackets as shown, using the fasteners supplied with the light.

A. M6 x 16 Cap Screw  
 B. M6 String Washer  
 C. M6 Flat Washer  
 D. M6 Nylon Washer

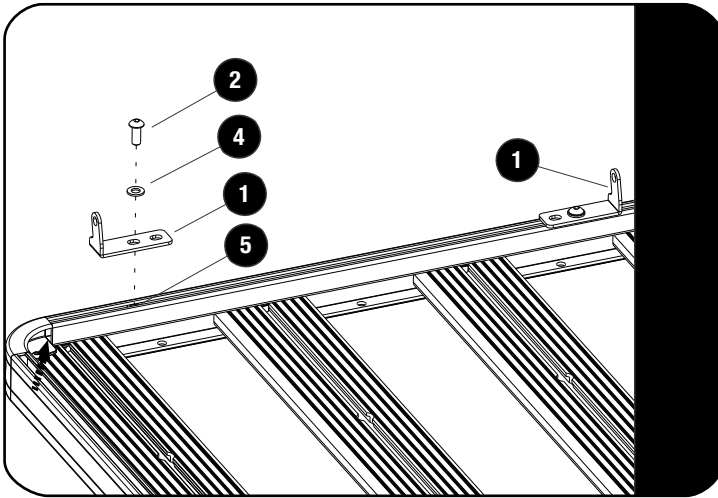
2.3



Fully tighten the M8 Nyloc Nuts fitted in 2.1.

**2****FIT AND SECURE - ABOVE RACK FITMENT**

2.4



☞ Choose where on the rack you would like to fit the LED light.

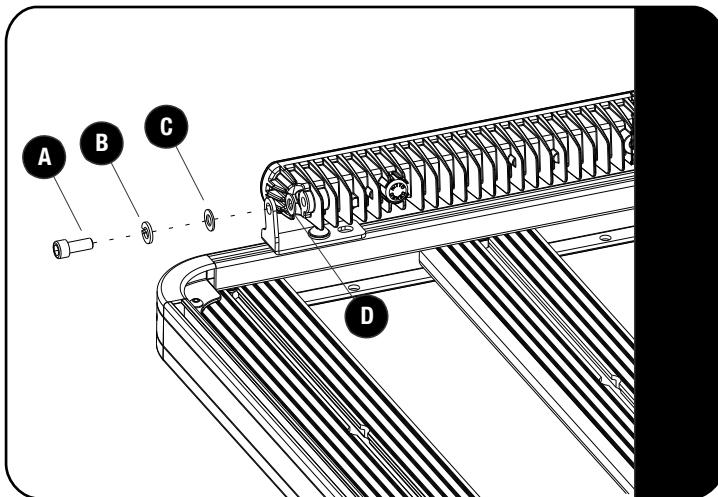
Slide two M8 Nyloc Nuts (Item 5) into the Side Profile.

Loosely fit the Mounting Brackets (Item 1) using M8 x 20 Button Heads and M8 x 16 x 1.6SS Flat Washers (Items 2 & 4) as shown.

Move the brackets in place and fully tighten the one Bracket.

Use the LED light to get the correct spacing between the brackets before you fully tighten the second bracket.

2.5



☞ Fit the LED light to the brackets as shown, using the fasteners supplied with the light.

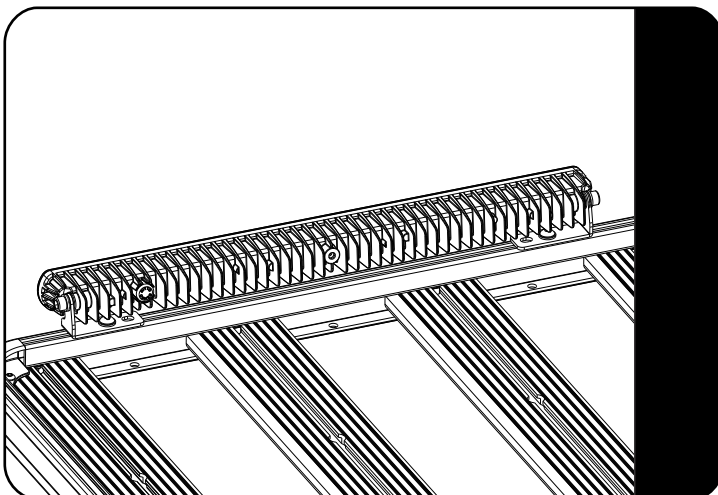
A. M6 x 16 Cap Screw

B. M6 String Washer

C. M6 Flat Washer

D. M6 Nylon Washer

2.6



4

## FINISH

Congratulations! You did it. Take a step back and admire your work!

5

## INSTALL OTHER VEHICLE AND RACK ACCESSORIES

Now's the time to visit your favorite Front Runner Dealer in person or online.

Be sure to tag us. We love to see our gear in action! #FrontRunnerOutfitters #BornToRoam

Share your adventures on: 