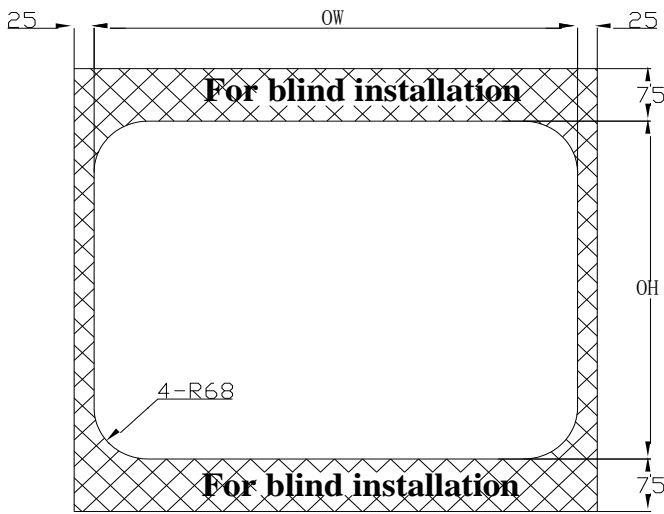




EuroVision Window Installation Instructions

Step 1: Cut hole as Diagram 1&2



OW(opening width)=W+3mm
 OH (opening height)=H+3mm
 Window size: 450X900
 W=900mm H=450mm
 OW=903mm, OH=453mm

Diagram 1

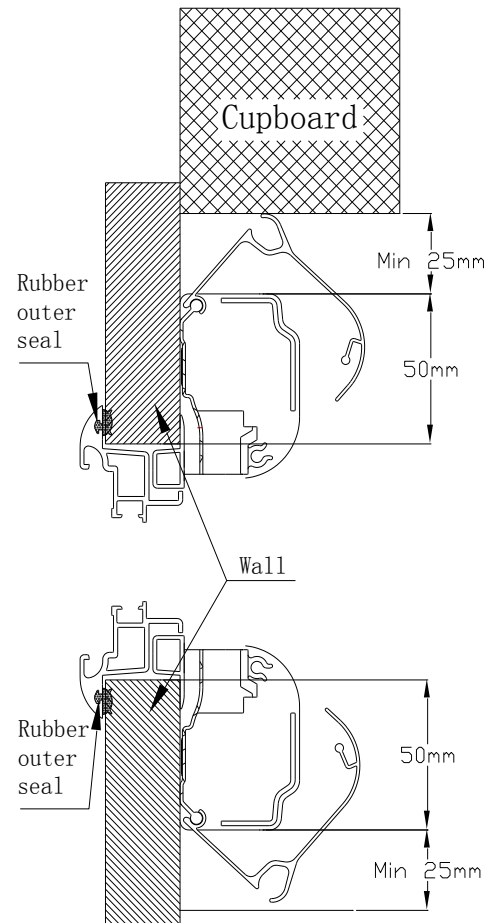


Diagram 2

Step 2: Fix outer panel and Inner frame to wall as per Diagram 3, using set screw supplied.

NB: Do not over tighten screws.

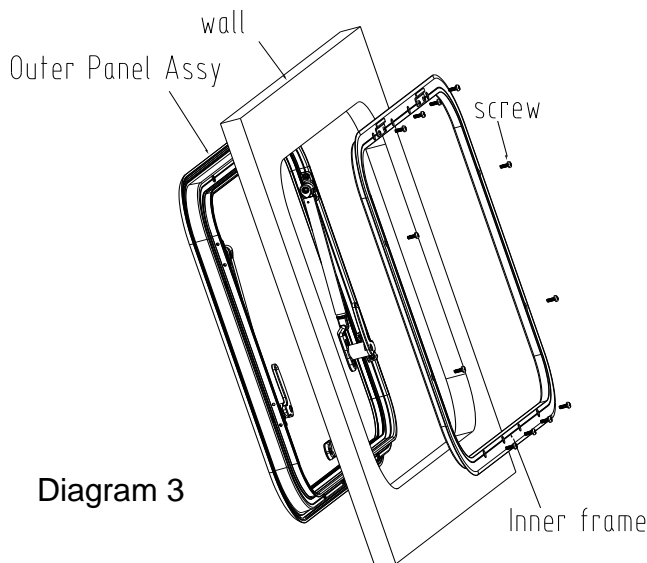


Diagram 3

Step 3: Position blind panel over the hook as per Diagram 4, then slide down to locate into position.

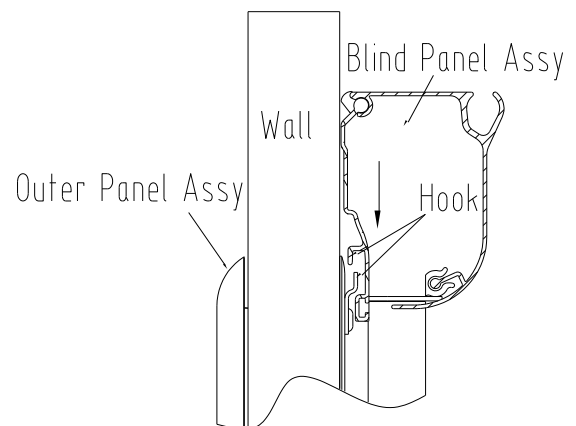


Diagram 4

BRISBANE

11-15 Oasis Court, Clontarf, QLD 4019
 Phone : 07 3284 3284 Fax : 07 3284 5969
 E-mail : enquiries@aussietraveller.com.au

www.aussietraveller.com.au

MELBOURNE

235A Barry Road, Campbellfield VIC 3061
 Ph: 03 9357 6565 Fx: 03 9357 6515
 E-mail: info@aussietraveller.com.au



AUSSIE TRAVELLER

Incorporated in Queensland A.C.N. 010 809 168 A.B.N. 81 010 809 168

Step 4: Open top and bottom blind panel cover by lifting up/pulling down at corners, fix the blind panel to wall with ST4.2x32 screw as per Diagrams 5&6. Finally close the cover by hand.

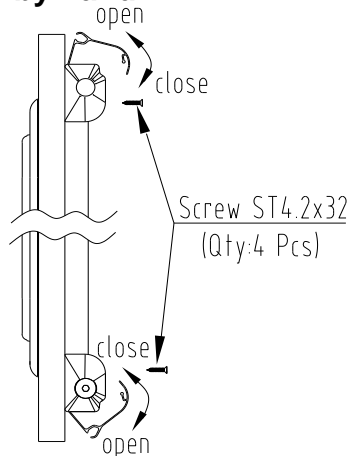


Diagram 5

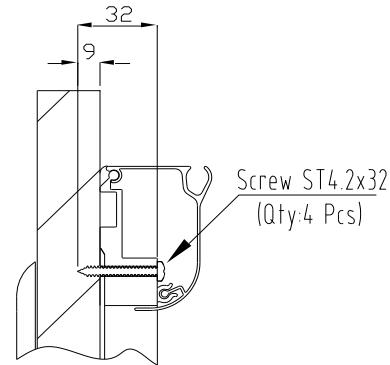


Diagram 6

Diagram 7

Wall Thickness (mm)	Screw specifications	Installation sections	sections
24-30mm	M4 X14		
30-34mm	M4 X20		
34-39mm	M4 X14		
39-44mm	M4 X20		
44-49mm	M4 X14		
49-54mm	M4 X20		

Optional Accessory:

Curtain Track Assembly Kit
Easily add a customized curtain to any window.
The curtain track length is W+200mm. Kit comes with all fittings required to add curtains.

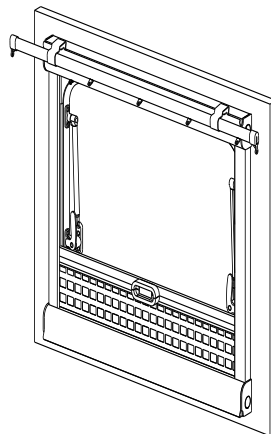


Diagram 8

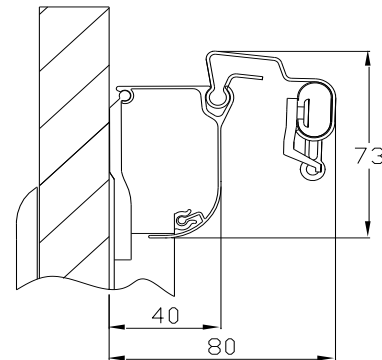


Diagram 9

Tips for fitting: Use a magnetic tip screwdriver to hold screws when joining inner and outer frames.

Special Note:

1. The window supplied is suitable for a flat wall. For Caravans/Motor Homes etc finished with profiled wall cladding, use a closed cell foam tape or suitable sealant to provide a waterproof fit. If using sealant remove the rubber outer seal provided before fitting.
2. Normal Inner frame is suitable for 24-34mm wall thickness. For the wall thickness less than 24mm or more than 34mm, it is necessary to specify wall thickness when placing the order.

BRISBANE

11-15 Oasis Court, Clontarf, QLD 4019
Phone : 07 3284 3284 Fax : 07 3284 5969
E-mail : enquiries@aussietraveller.com.au

www.aussietraveller.com.au

MELBOURNE

235A Barry Road, Campbellfield VIC 3061
Ph: 03 9357 6565 Fx: 03 9357 6515
E-mail: info@aussietraveller.com.au



EuroVision Window Packing List

- 1. Outer Panel Assy: 1pc
- 2. Inner frame: 1pc
- 3. Blind Panel Assy: 1pc
- 4. Fitting Accessories:
 - 1). Set Screw M4X14: 1 bag (Qty: as per table, incl. 2pcs spare)
 - 2). Set Screw M4X20: 1 bag (Qty: as per table, incl. 2pcs spare)
 - 3). Screw ST4.2x32: 1 bag (Qty: 6pcs, incl. 2pcs spare)
- 5. EuroVision Window Installation instructions and Packing List
- 6. EuroVision Window Operation Instructions

Fitting Accessories Qty List :

EV-H-W	M4x14 Qty	M4x20 Qty	ST4.2x32 Qty
EV-300-500	13	13	6
EV-450-500	15	15	6
EV-450-610	15	15	6
EV-450-900	19	19	6
EV-450-1100	19	19	6
EV-500-900	19	19	6
EV-500-1200	19	19	6
EV-550-700	15	15	6
EV-550-900	19	19	6
EV-550-1100	19	19	6
EV-550-1450	23	23	6
EV-800-1000	23	23	6
EV-800-1200	23	23	6

Either use M4x14 or M4x20, subject to wall thickness as per Diagram 7.

BRISBANE

11-15 Oasis Court, Clontarf, QLD 4019
 Phone : 07 3284 3284 Fax : 07 3284 5969
 E-mail : enquiries@aussietraveller.com.au

www.aussietraveller.com.au

MELBOURNE

235A Barry Road, Campbellfield VIC 3061
 Ph: 03 9357 6565 Fx: 03 9357 6515
 E-mail: info@aussietraveller.com.au