

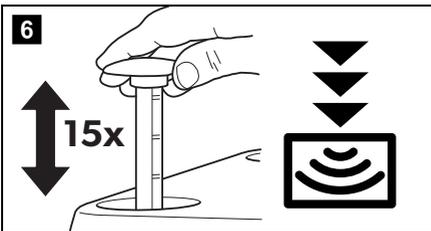
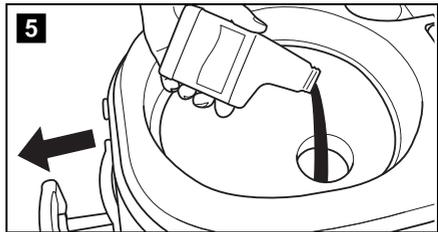
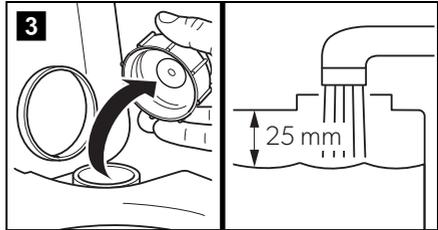
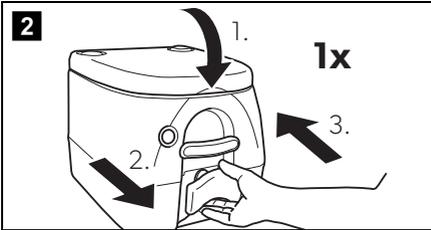
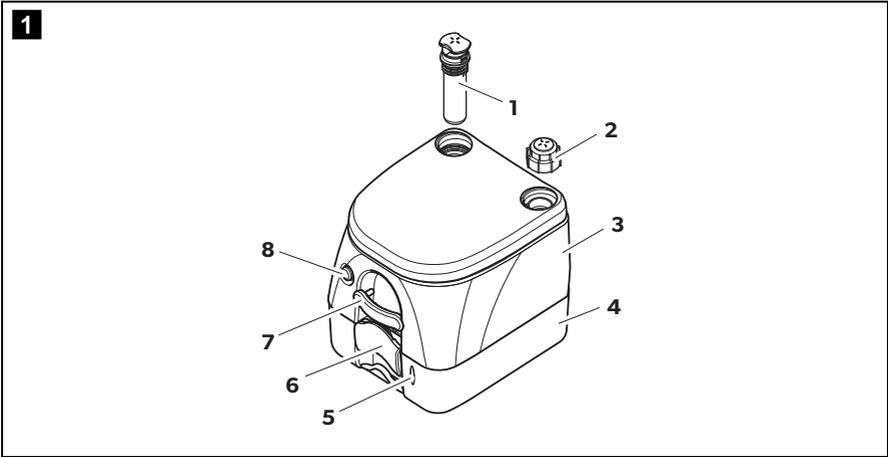
↔ DOMETIC SANITATION TOILETS

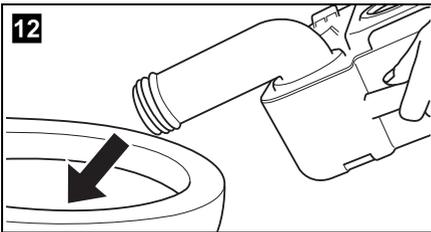
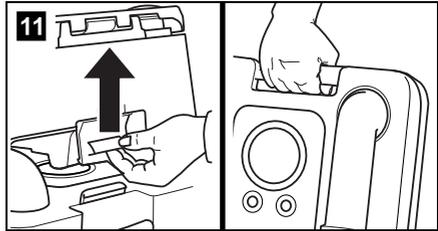
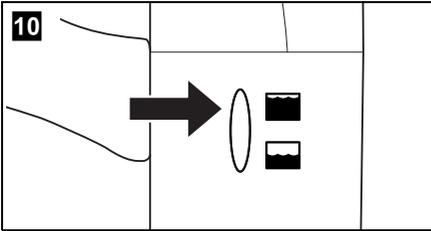
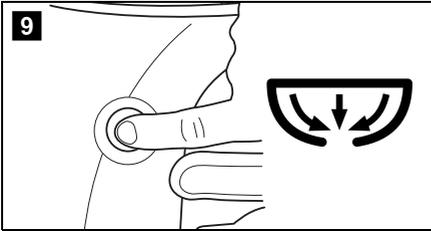
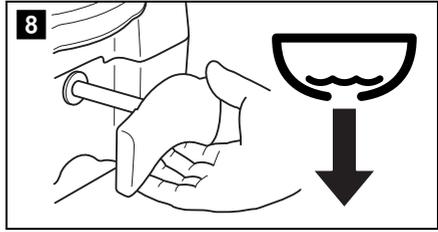
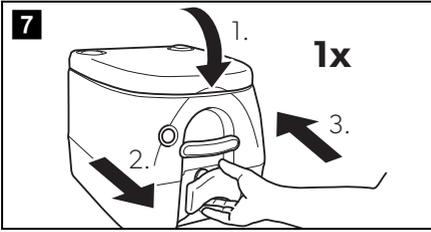


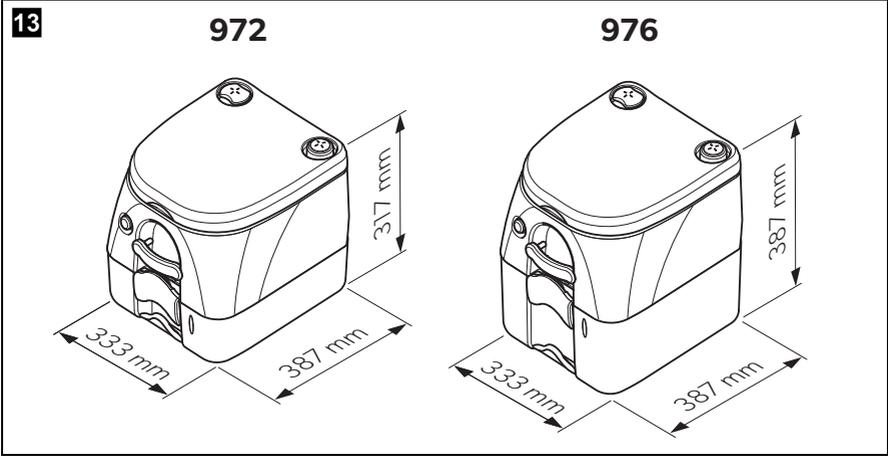
Portable Toilets 972, 976

EN	Portable toilet Operating manual	6
DE	Portable Toilette Bedienungsanleitung	12
FR	Toilette portable Notice d'utilisation	19
ES	Aseo portátil Instrucciones de uso	26
PT	Sanitário portátil Manual de instruções	33
IT	WC portatile Istruzioni per l'uso	40
NL	Draagbaar toilet Gebruiksaanwijzing	47
DA	Bærbare toiletter Betjeningsvejledning	54
SV	Portabel toalett Bruksanvisning	60
NO	Bærbart toalett Bruksanvisning	66

FI	Matka-wc Käyttöohje	72
RU	Переносной туалет Инструкция по эксплуатации	78
PL	Toaleta przenośna Instrukcja obsługi	85
SK	Prenosné WC Návod na obsluhu	92
CS	Přenosné WC Návod k obsluze	99
HU	Mobil vécé Használati utasítás	105







Please read this instruction manual carefully before first use, and store it in a safe place. If you pass on the product to another person, hand over this instruction manual along with it.

Contents

1	Explanation of symbols	6
2	Safety instructions	7
3	Scope of delivery	7
4	Accessories	7
5	Intended use	8
6	Technical description	8
7	Operation	9
8	Cleaning and maintenance	11
9	Warranty	11
10	Disposal	11
11	Technical data	11

1 Explanation of symbols



CAUTION!

Safety instruction: Failure to observe this instruction can lead to injury.



NOTICE!

Failure to observe this instruction can cause material damage and impair the function of the product.



NOTE

Supplementary information for operating the product.

2 Safety instructions

The manufacturer accepts no liability for damage in the following cases:

- Faulty assembly or connection
- Damage to the product resulting from mechanical influences
- Alterations to the product without express permission from the manufacturer
- Use for purposes other than those described in the operating manual



CAUTION!

- People (including children) whose physical, sensory or mental capacities prevent them from using this device safely may not be allowed to operate it without the supervision of a responsible adult.



NOTICE!

- Only use the device as intended.
- Do not make any alterations or conversions to the device.

3 Scope of delivery

- Portable toilet
- Operating manual

4 Accessories

Available as accessories (not included in the scope of delivery):

Description	Item no.
Fastening kit for 970 series	9108559158
Additional tank for 972	9107100030
Additional tank for 976	9107100031
MSD connection for 972	9107100028
MSD connection for 976	9107100029

5 Intended use

The portable toilet is intended for mobile use.

6 Technical description

Flushing is carried out with a few pumping actions using the push button. The flush water tank of 8.7 litres is sufficient for 27 flushes. The portable toilet is equipped with overflow protection and filling level display. The drainage system simplifies disposal with a long rotatable waste pipe.

6.1 Operating and display elements

No. in fig. 1 , page 3	Description
1	Pump
2	Cap for flush water tank
3	Flush water tank
4	Holding tank
5	Filling level display
6	Flush grip
7	Locking grip
8	Flush button

7 Operation

7.1 Setting up the portable toilet



NOTE

Changes in the ambient temperature or the actual height above sea level while travelling can cause the pressure in the holding tank to rise or fall. Before use, make sure that the pressure in the holding tank is equalised by opening and closing the slide valve with the seat cover closed.

- Before use, make sure the pressure in the holding tank is equalised: to do this, open the slide valve with the seat cover closed by pulling the flush grip out and then pushing it closed again (fig. **2**, page 3).
- Remove the cap of the flush water tank and fill it up until the water level has reached approx. 25 mm (1 inch) below the top. Screw the cap on again on the flush water tank (fig. **3**, page 3).
- Pull the flush grip to open the slide valve (fig. **4**, page 3).
- Put an appropriate sanitary additive directly into the holding tank.
- Close the slide valve (fig. **5**, page 3).



NOTICE!

Never put the sanitary additive into the portable toilet when the slide valve is closed

- Press the pump approx. 15 times or until air comes out the cap of the flush water tank through the pressure relief valve (fig. **6**, page 3).



NOTICE!

- Do not subject the flush water tank to too much pressure, for instance by covering up the pressure relief valve.
- Do not pressurise the flush water tank if it is separated from the holding tank.

7.2 Flushing the portable toilet



NOTE

Changes in the ambient temperature or the actual height above sea level while travelling can cause the pressure in the holding tank to rise or fall. Before use, make sure that the pressure in the holding tank is equalised by opening and closing the slide valve with the seat cover closed.

- Pull out the flush grip to allow the waste to pass into the holding tank (fig. **8**, page 4).
- Press the flush button to flush the portable toilet (fig. **9**, page 4).
- Push the flush grip to close the slide valve.

7.3 Emptying the holding tank

When the filling level display shows “Full”, (fig. **10**, page 4), the holding tank needs to be emptied.

- Pull the locking grip on the holding tank if the toilet is fitted with the optional fastening holders. To reach the rear bracket, lift up the toilet and move it.
- Pull up the rear latch to disconnect the flush water tank from the holding tank (fig. **11**, page 4).
- Take the holding tank to a reliable disposal station (or a normal toilet).



NOTE

To protect the environment, never empty the holding tank directly into the environment, only into an approved disposal station or a toilet.

- Turn the waste pipe away from the tank and open the pressure relief valve on top of the tank.
- Empty the tank (fig. **12**, page 4).
- If there is a water connection, flush out the holding tank.

7.4 Storing the portable toilet

- Empty the holding tank and flush water tank completely if you are not planning to use the portable toilet for a long time.
- Store the portable toilet in a dry, clean state.

8 Cleaning and maintenance



NOTICE!

Do not use sharp or hard objects or petroleum-based cleaning agents for cleaning as these may damage the product.

- Clean the product with a wet cloth and mild detergent regularly.

9 Warranty

The statutory warranty period applies. If the product is defective, please contact your retailer or the manufacturer's branch in your country (see the back of the instruction manual for the addresses).

For repair and guarantee processing, please include the following documents when you send in the device:

- A copy of the receipt with purchasing date
- A reason for the claim or description of the fault

10 Disposal

- Place the packaging material in the appropriate recycling waste bins wherever possible.



If you wish to finally dispose of the product, ask your local recycling centre or specialist dealer for details about how to do this in accordance with the applicable disposal regulations.

11 Technical data

	972	976
Ref. no.:	9108557678 (white/beige) 9108557679 (white/grey)	9108557680 (white/beige) 9108557681 (white/grey)
Flushing water tank:	8.7 l	
Holding tank:	9.8 l	18.9 l
Dimensions:	see fig. 13, page 5	