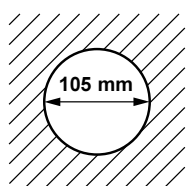


Model CK 150

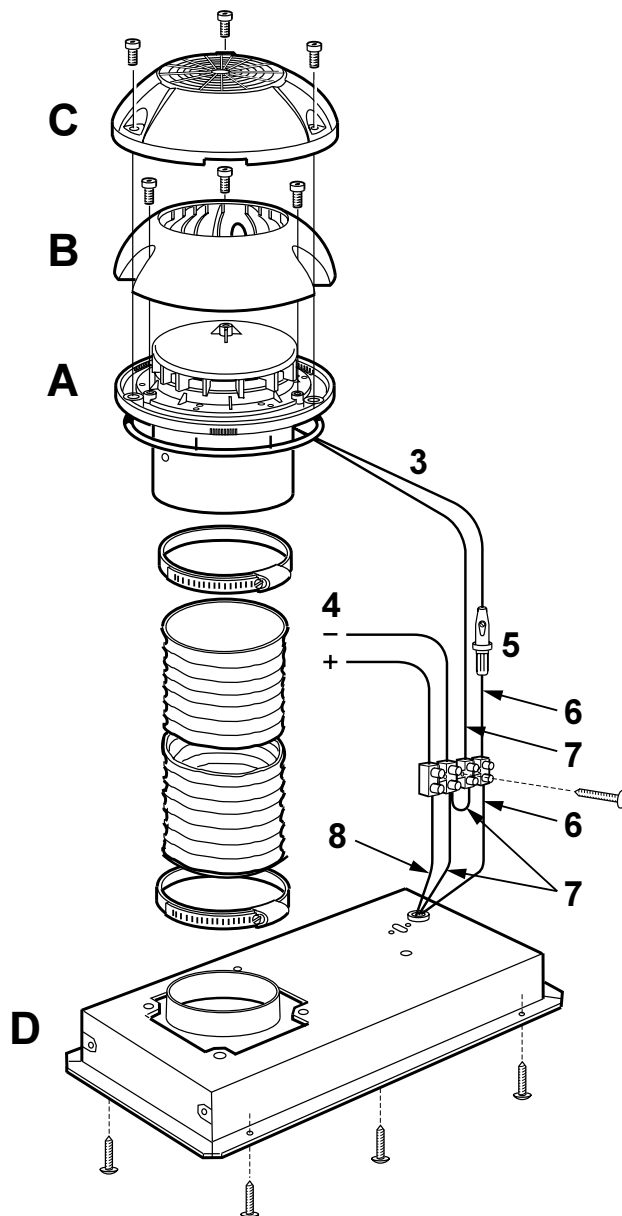
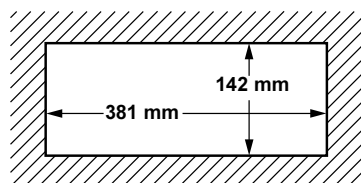
Type: CK

Instruction for use

1



2



- 1 Hole for hose in shelf, if any.
- 2 Recess for installation in wall cupboard.
- 3 From the fan.
- 4 From battery.
- 5 Fuse holder with a T4 A fuse 5x20 mm.
Spare part number for fuse: 762 82 13-91.
- 6 White
- 7 Black
- 8 Red

Placing

The ventilator is for use in caravans, motorhomes and boats and designed to be placed above the food preparation area, preferably built-in to an existing top cupboard.

The distance from the gas-stove flame to the lower edge of the cooker hood must not be less than 46 cm.

The ventilator part **A-B-C** should be placed in the roof, on a surface that is as even and horizontal as possible. If the ventilator is positioned on a sloping surface, the part **A** should be rotated so that one of the three drainage openings points downwards. An inclination of up to 20° is acceptable without reducing the ventilation when the motor is running.

Fitting the ventilator

Make a hole with a diameter of 105 mm through the roof of the vehicle.

Place the ventilator part **A** in the hole and make a mark of the six screw holes.

Remove part **A** and apply a thin ring of some permanently plastic sealing compound around each hole.

Put the rubber ring into the groove underneath of part **A**.

It is important that the lower part should be firmly tightened so that the rubber gasket fits closely against the roof.

Fasten the hood **B** in the lower part **A**.

Then fasten the upper part **C** in the lower part **A**.

Make a hole in the bottom of the cupboard as shown on the dimension sketch 2.

Fasten the ventilator hood **D** with screws and fit the hose to the fan and hood, tighten the hose with the hose clips.

Connect the fan to the battery according to the figure.

The fan filter

The fan filter that absorbs grease in cooking fumes requires cleaning now and then, how often depends on how much the cooker is used and for how much the fan is in operation.

Do not wait until the suction power of the fan begins to decrease noticeably.

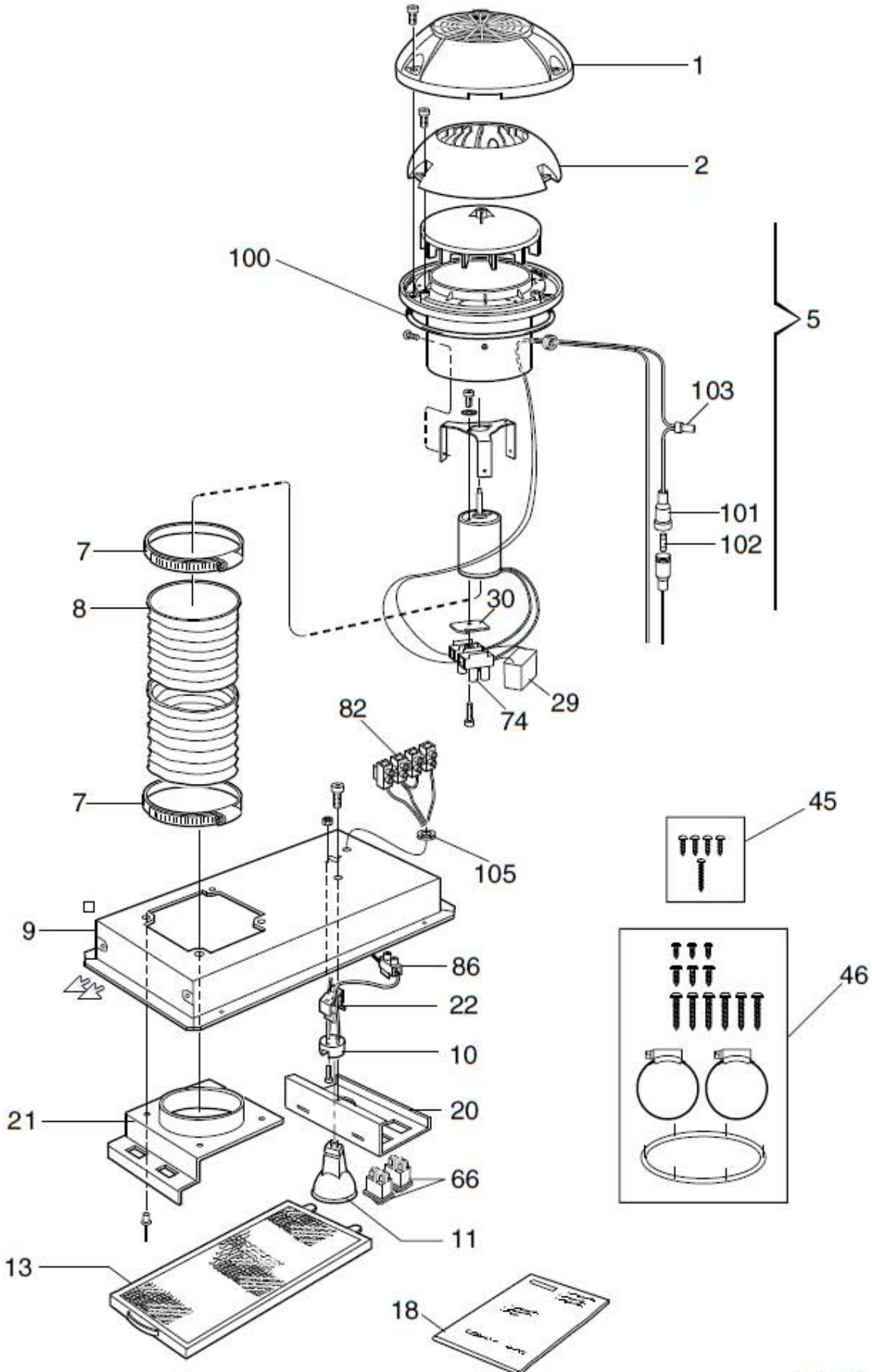
Cleaning can easily be carried out with hot water to which some synthetic detergent has been added.

Technical data

Motor power	30 W
Voltage	12 V ---
Capacity	115 m ³ /h
Light	20W, 12V GU5,3

Product Name: CK150

Item Code: CK150
SKU: 9107300000
Production: 921141505
Release Date: 20/10/14



NCMOV209486

Product Name: CK150

Item Code: CK150
SKU: 9107300000
Production: 921141505
Release Date: 20/10/14

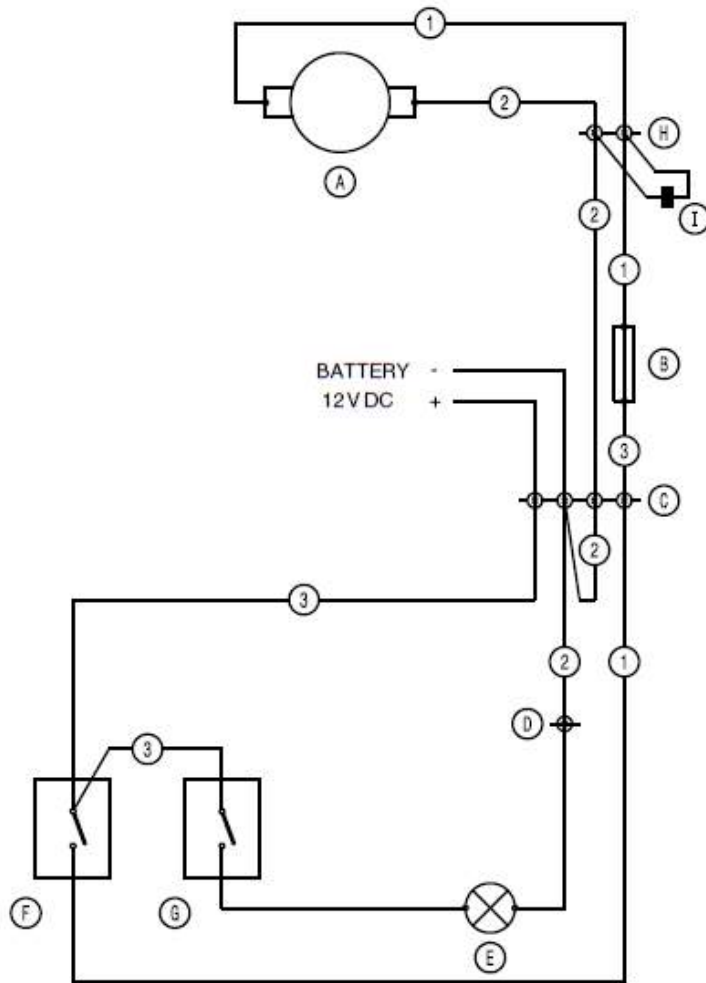


	Item No	Description
1	3850001037	COVER DOME EXTERNAL CK150/155
2	4902031022	COVER INNER SHROUD CK150/155
5	3850056015	MOTOR COMPLETE CK150/155
7	385803304	CLIP HOSE CK150/155
8	300201600	EXHAUST DUCT CK150/155
9		
10		
11	3850060017	GLOBE 12V 20W CK150
13	385004501	FILTER CK150/155
18		
20		
21		
22		
29		
30		
45		
46		
66		
74		
82		
86		
100		
101		
102	3858065018	FUSE, 4AMP, CK150
103		
105		

*** Items not listed are only available by special order**

Product Name: CK150

Item Code: CK150
SKU: 9107300000
Production: 921141505
Release Date: 20/10/14



- | | |
|----------------------------|-----------|
| (A) MOTOR 12V DC 30W | (1) WHITE |
| (B) FUSE T 4AMP | (2) BLACK |
| (C) TERMINAL BLOCK 4-POLE | (3) RED |
| (D) TERMINAL BLOCK 1-POLE | |
| (E) LIGHT 20W | |
| (F) SWITCH, MOTOR | |
| (G) SWITCH, LIGHT | |
| (H) TERMINAL BLOCK 2-POLE | |
| (I) CAPACITOR 0,47 μ F | |