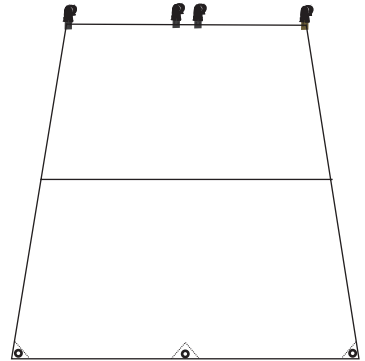
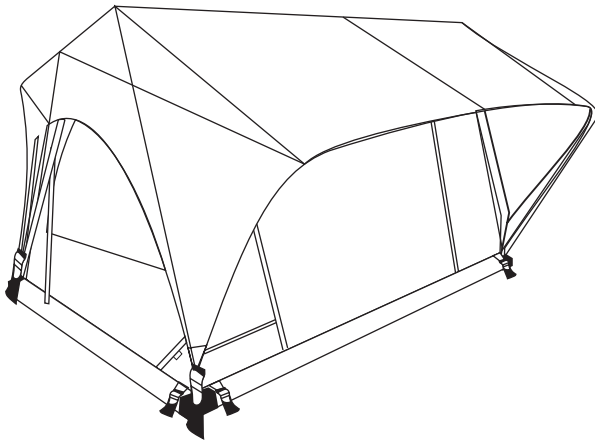
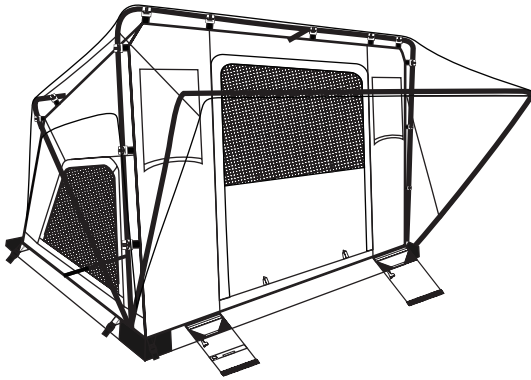


# ↗ DOMETIC Awnings Tents Rooftop



**TRT140M, TRT120E, TCA100, TMA100**

EN

**Dometic Rooftop Tents and Awnings**  
Operating Manual



Safety .....	4
Scope of delivery .....	4
Important information .....	5
Product Overview .....	5
Intended use .....	5
Installing the roof tent .....	6
Installation material .....	8
Setting up the roof tent .....	9
Important information .....	11
Installation material .....	12
Operation .....	13
Main technology and functions .....	13
Technical performance and characteristics of the motor .....	14
Tips and tricks .....	14
Important information .....	14
Maintenance .....	14
Tool bag .....	16
Ladder .....	16
Power cable.....	16
Disassembly of the rooftop tent .....	17
Technical data .....	17
TCA100.....	18
TMA100 .....	18
Set up .....	19
Disassembly .....	20
Storage .....	21
Warranty .....	22
Disposal .....	22
Copyright.....	22

## **Safety**

- **Before installing your roof tent check your vehicle and roof rack manufacturer's instructions to ensure sufficient load capacity including both the tent and intended occupants.**
- We recommend that you DO NOT transport your roof tent over 110 km/h and always keep to the speed limits.
- At the beginning of each trip and at regular intervals during each trip, check that your roof tent is firmly attached to your roof racks and that all soft belts are securely fastened. Always check your roof tent is in a safe and appropriate place.
- DO NOT use your roof tent if any part or any of its components is visibly damaged, particularly the soft straps and buckles. In such situations, please contact us for assistance.
- Please note that unsecured loads and incorrectly mounted roof racks can be lost during the journey. This can lead to serious accidents.
- Be sure to adjust your driving behaviour (e.g. crosswind sensitivity, cornering, and braking behaviour) to accommodate the change in vehicle height.
- The vehicle and roof rack manuals must always be kept with you.
- Do not use cleaning fluids containing bleach, alcohol or ammonia.

Please note the following points when using your roof tent:

- The height of your vehicle can increase by up to 90 cm (depending on your roof racks).
- Beware of low entrances, low hanging branches, etc.
- Wind noise may occur when driving with a roof tent.
- When using an automatic car wash, your roof tent must be removed first.
- In addition to these instructions for use, you should also follow the installation instructions for your roof rack and the operating instructions for your vehicle.
- For reasons of fuel economy and the safety of other road users, your roof tent and roof rack should be removed when not in use.
- For your safety, you should only use tested (e.g. GS-tested) roof racks that are approved for use in conjunction with your vehicle.
- To avoid creating excessive lifting force, your roof tent should be mounted parallel to the road line and not at an angle.
- When climbing in and out of your roof tent, always use the ladder with caution and never let children use it unsupervised. Make sure the ladder hooks are in good condition. Contact us if you need replacements.
- Do not allow open flames in or near your roof tent.

## **Scope of delivery**

Please check the contents for completeness using the delivery document.

1x Pre-assembled roof tent

1x Set mounting material

1x Instruction manual

Please make sure to use a suitable roof rack before mounting.

## Important information

The manufacturer is not liable for damage or accidents resulting from non-observance of these operating instructions, changes to parts, or the use of parts other than the manufacturer's original parts.

The warnings, cautions and instructions in this document cannot cover every imaginable situation, so it is the user's responsibility to exercise common sense and caution.

It is your responsibility to pass these instructions on to third parties using this roof tent, including second-hand sales.

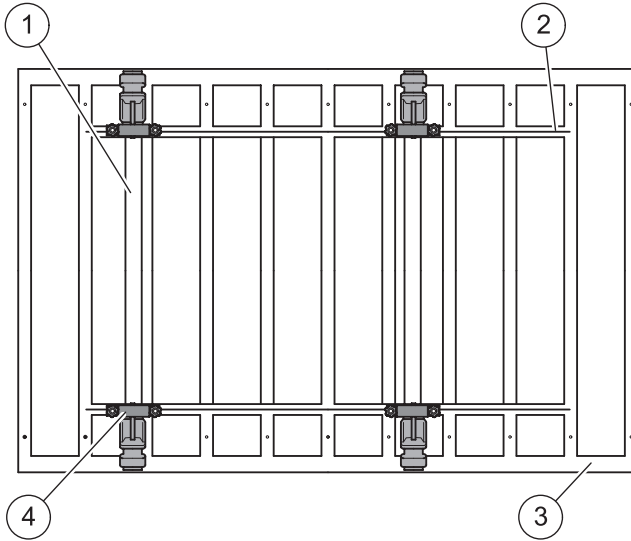
## Product Overview

TRT140M	TRT120E
The manual car roof tent can easily be erected and dismantled in minutes, using the stretcher poles, by 2 people.	With the wireless remote control, the tent can be erected and dismantled in seconds. The lightweight and dismantlable design allows two adults to mount the tent.
The entire frame is made of aluminium alloy, with parts of the joints made of strong nylon. Two-layer construction with silver coating on outer fly for better thermal insulation and waterproofing. 5 cm thick soft foam mattress provides the comforts of home.	The product uses lightweight aluminum alloy for the frame, strong nylon for joints, stainless steel for transmission elements. 100 % waterproof and silver coated fabric. 5 cm thick soft foam mattress provides the comforts of home.

## Intended use

The roof tents are intended for use on passenger cars. Assembly may only be carried out after reading these instructions.

## Installing the roof tent



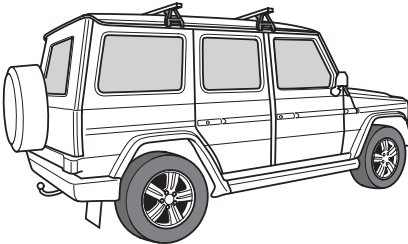
(1) Rack

(2) Rail

(3) Base frame

(4) U-shape bracket

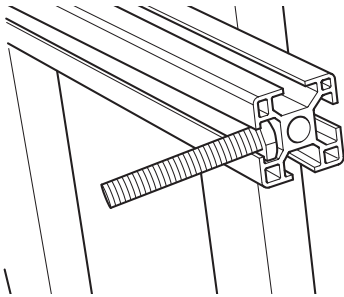
1. You must have roof racks correctly fitted to your vehicle before installing the roof tent.



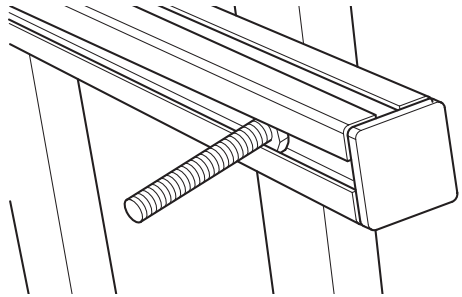
2. Ensure when placing the rooftop tent on your car roof that you share the load across both racks.



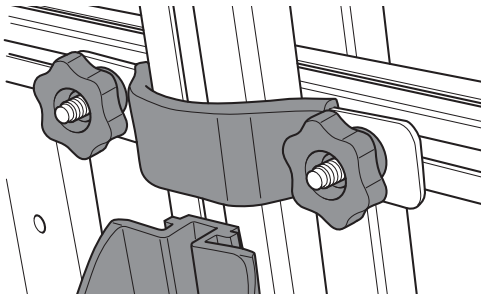
3. Adjust the tent to the roof's centre, ensuring the rear door can be opened/closed.
4. Slide the M8X50 hexagon bolt into the rails from both sides, ensuring you have positioned 8 in total (see Picture 1). Replace the plastic covers of your roof racks (see Picture 2).
5. Use the plastic nut, flat, and split washer to fix the M8X50 hexagon bolt and U-shaped bracket in place to all 4 corners (see Picture 3).



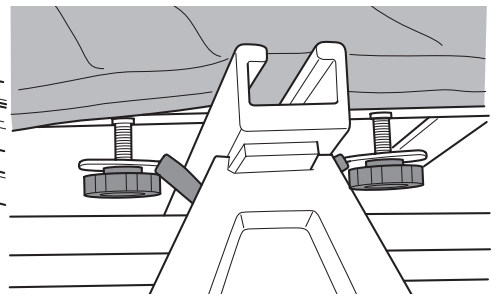
Picture 1



Picture 2



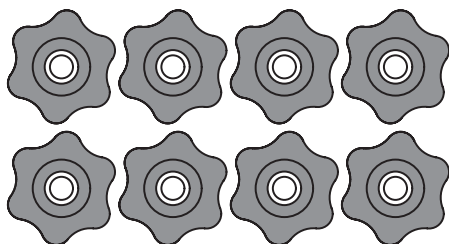
Picture 3



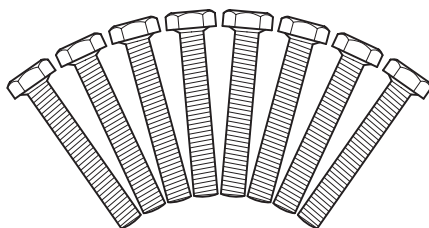
Picture 4

# TRT140M

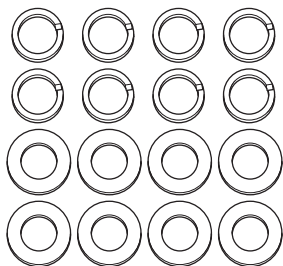
## Installation material



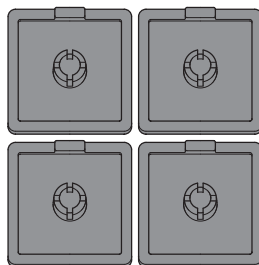
Plastic nuts



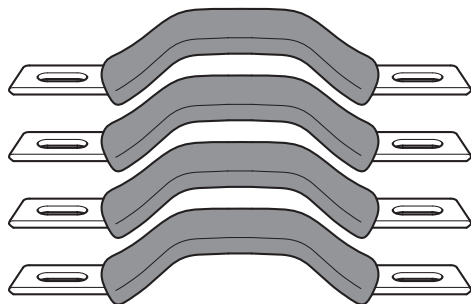
M8X50 Hexagon bolt



M8 flat washer / M8 split washer



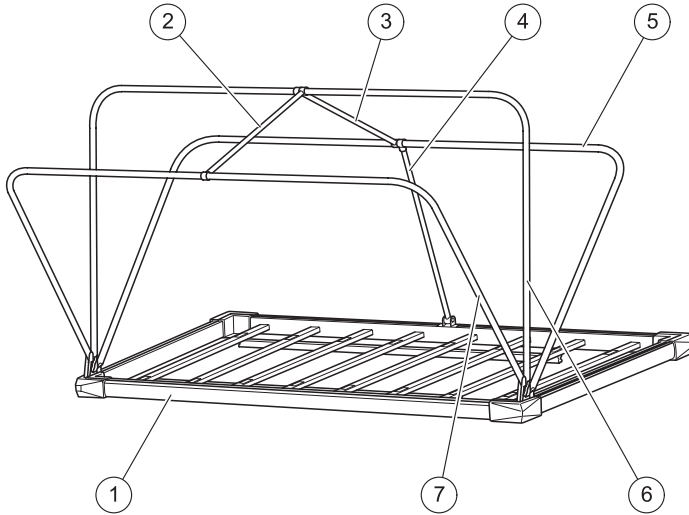
Rail cap



U-shape bracket



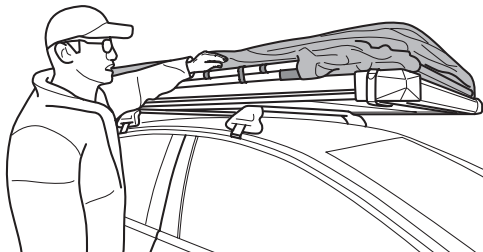
## Setting up the roof tent



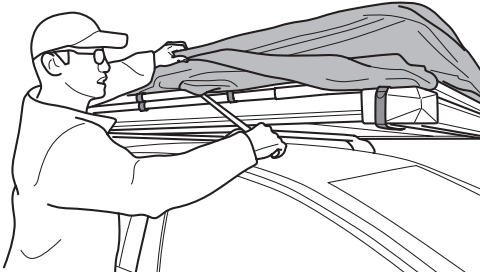
- (1) Base                      (2) Stretcher pole                      (3) Stretcher pole                      (4) Stretcher pole  
(5) U-shaped pole                      (6) U-shaped pole                      (7) U-shaped pole



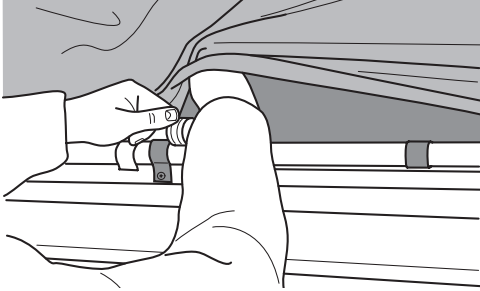
1. Remove the tent's PVC cover.



2. Find stretcher pole (3).



3. Lift stretcher pole (3).



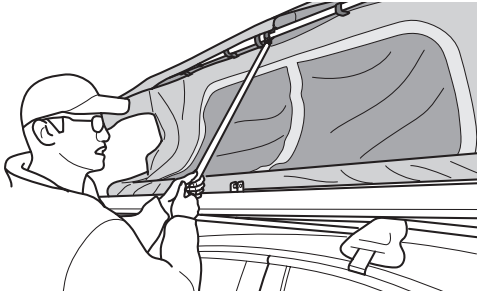
4. Connect stretcher pole (3) with u-shaped pole (5).



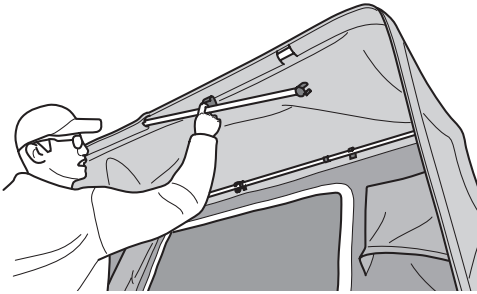
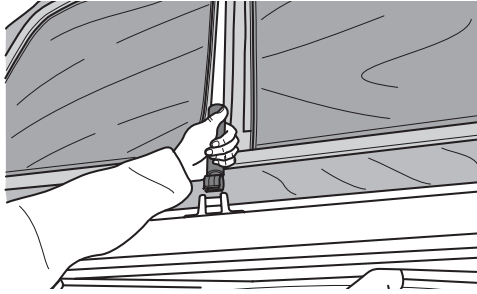
5. Find stretcher pole (4).



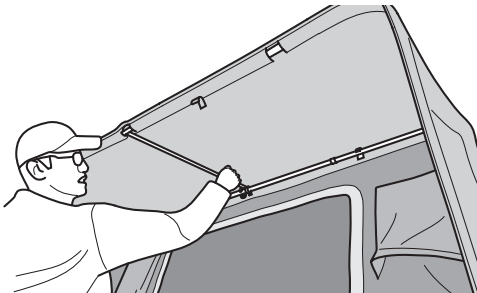
6. Lift stretcher pole (4).



7. Connect stretcher pole (4) with the base.



8. Take out stretcher pole (2), which is located in front of the u-shaped pole (6).



9. Connect it with u-shaped pole (6). The tent is set up and ready now.

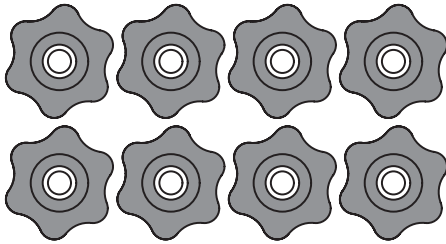
10. Reverse operation to fold down the tent.

## Important information

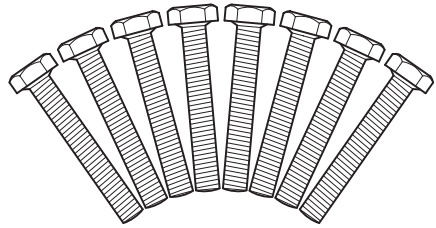
If your roof tent will not open, check the following:

- Check the stretcher poles are stuck by fabric or not.
- Check the joints or connect parts are damaged or not, if yes, replace it damaged part.

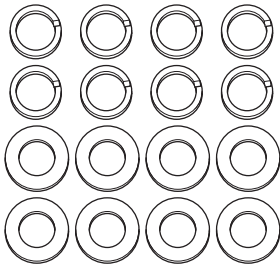
**Installation material**



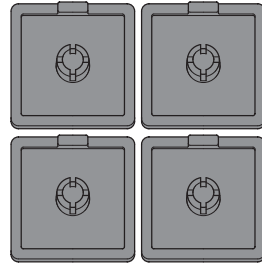
Plastic nuts



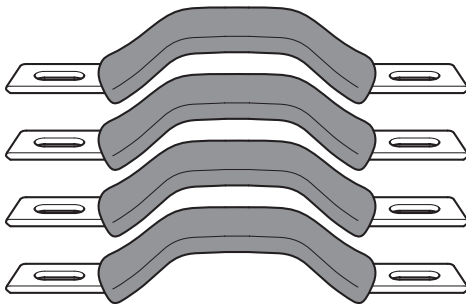
M8X50 Hexagon bolt



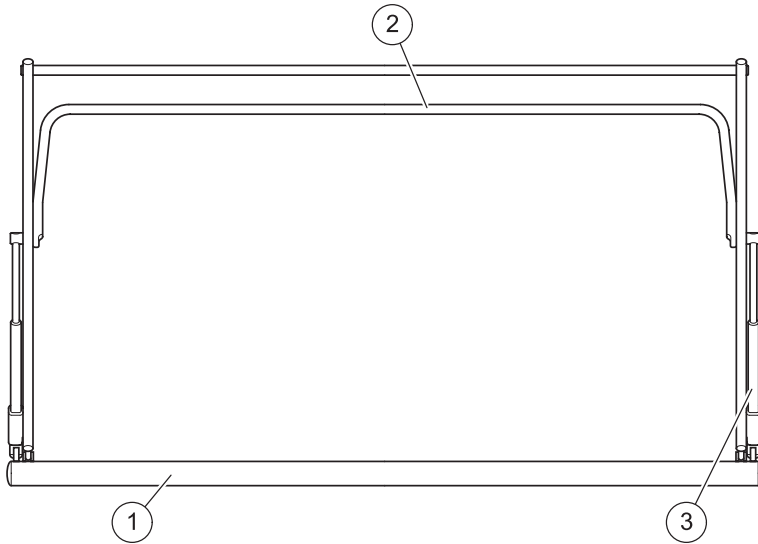
M8 flat washer / M8 split washer



Rail cap



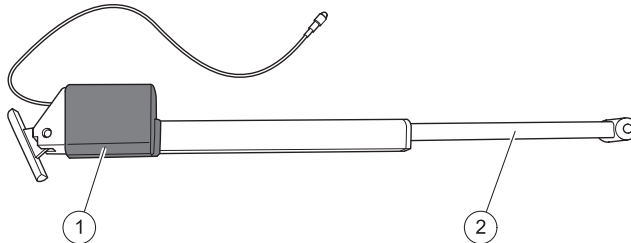
U-shape bracket



(1) Base frame

(2) Pole support system

(3) Motorized pushing rod



(1) Motor

(2) Push rod

## Operation

1. Remove the tent cover.
2. Insert power cable into cigarette lighter.
3. Make sure power is available. Press the "UP" button to set up the tent.
4. Make sure no other objects are in the tent. Press the "DOWN" button to fold down the tent.
5. Press the "STOP" button to stop.
6. Make sure the tent is folded completely. Then attach the cover.

## Main technology and functions

- Erection and dismantling of the tent by motorised push rod.
- Wireless remote control.
- The motor is switched off when the pushrod is fully opened or fully closed.

## Technical performance and characteristics of the motor

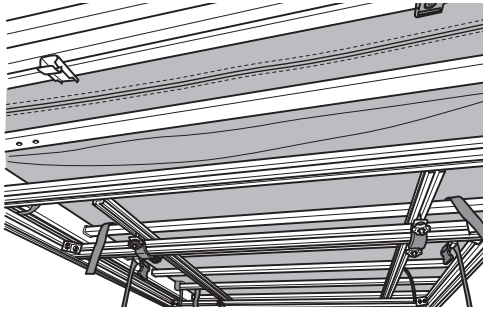
- Rated voltage: 12 VDC Power: 20 W
- Wireless remote control
- The erection and dismantling of the tent takes about 50 seconds.
- Motors equipped with overheat protection.

## Tips and tricks

- Always ensure the tent is dry before packing away.
- Keep the rail of base clean.
- Ensure ladder is always locked into place and angled away from vehicle.
- Pack the tent down well when driving.

## Important information

If your roof tent will not open using the push rods, replace the motor push rods with the supplied two spare poles:



1. Use suitably sized hex key and wrench to remove motor push rods from both sides.
2. Take the two 92 cm spare poles from the pocket at the bottom side of the tent.
3. Insert the spare poles instead of the motor push rods.

## Maintenance

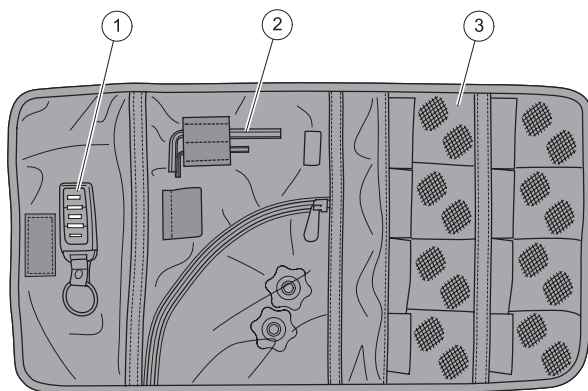
- Care for seams and zippers with suitable care products.
- Always ensure good ventilation to avoid moisture.
- Use only lukewarm water and a soft brush for cleaning.
- Avoid chemicals, soap and detergents.
- When folding down and covering the tent, make sure the tent is dry.
- If the aluminum frame contains water, erect it to pour out the water.
- Keep the push rod of the motorize pushing rod clean by wiping it with a clean dry cloth.

## **Notice**

- Keep the side window open, when you set up or fold down the tent.
- Make sure there is no other object inside the tent, when you set up or fold down the tent, such as a sleeping bag, pillow etc.
- Do not press the pole when the tent is folded down. This will damage the pole.
- When installing the tent onto the roof of the vehicle. Inspect that all bolts are sufficiently secure.
- Make sure the tent is folded down and covered, when you drive.
- Do not disassemble attempt repair of the electric motor or push rod.
- Do not fold down during storms or heavy rain.
- Keep the remote control dry.
- Do not pitch the tent if it is very windy or stormy.
- If you notice any noise when erecting or folding down the tent, inspect the pole and joints immediately.

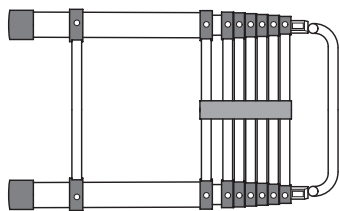
## Tools

### Tool bag

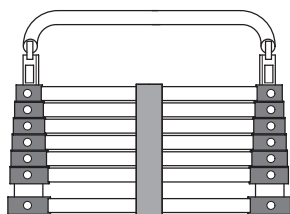


- (1) Remote control      (2) Two L-shaped hexagonal wrenches      (3) Screws and washers

### Ladder

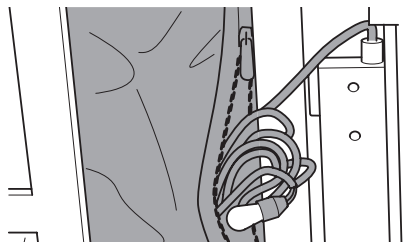


Fit the ladder to the tent frame.



Use the strap to tie down ladder for storage.

### Power cable



The power cable can be placed in the pocket beside the door for storage.



## Disassembly of the rooftop tent

1. Remove all objects from the roof tent (sleeping bag, pillow, etc.).
2. Loosen the stretcher poles.
3. Open the side windows.
4. Fold up the roof tent. Press the tent walls inwards carefully.
5. Attach the tent cover.

## Technical data

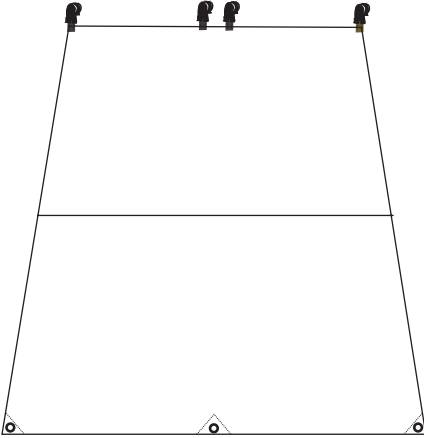
<b>TRT140M</b>	
Fly	210 Drip-stop polyoxford PU 2000 mm with silver coating UPF 50+
Inner tent	190 g polycotton PU 2000 mm
Frame	aluminium alloy
Tent cover	600 g/m <sup>2</sup> Heavy PVC
Mattress	5 cm Foam mattress
Ladder	Foldable aluminium ladder
Size	Inner tent size: 200 (L) x 140 (W) x 75 / 120 (H) cm
	Outer tent size: 217 (L) x 154 (W) x 95 / 143 (H) cm
	Packing size: 225 x 30 x 162 cm
	N.W. : 56 kg (Including Ladder)
	G.W. : 71 kg

<b>TRT120E</b>	
Fly	210 g Drip-stop polyoxford PU 2000 mm with silver coating UPF 50+
Inner tent	190 g Drip-stop polycotton PU 2000 mm
Floor	210 g polycotton PU 2000 mm
Tent cover	600 g/m <sup>2</sup> PVC UPF 50+
Mattress	5 cm high density foam mattress
Frame	aluminium alloy
Technology	Wireless remote control
Size	Inner tent size: 200 (L) x 120 (W) x 100 (H) cm
	Packing size: 225 (L) x 140 (W) x 30 (H) cm
	Packing size: 225 x 30 x 142 cm
	N.W. : 49.5 kg (excl. ladder)
	G.W. : 65 kg

## Awnings

Select the orientation of the vehicle so that the entrance of the roof tent and the assembly of the awning are positioned from the side facing away from the wind.

### TCA100



The awning is attached to the poles of the roof tent with loops. After the awning has been fastened and aligned, it is secured to the ground with pegs.

### TMA100

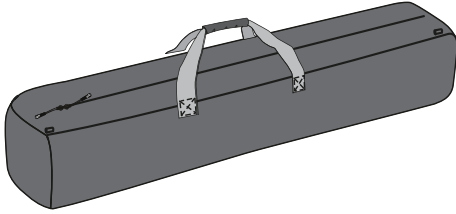


The awning is attached to the poles of the roof tent with clips. After the awning has been fastened and aligned, it is secured to the ground with pegs.

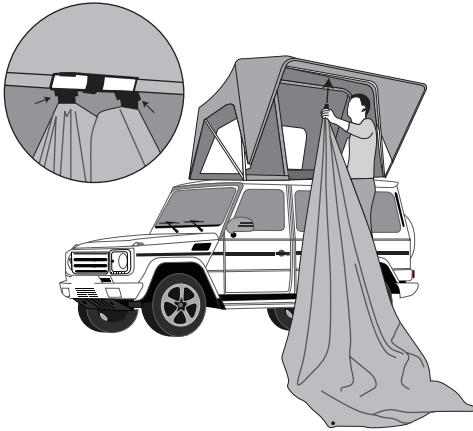
Observe the following assembly instructions.

## Set up

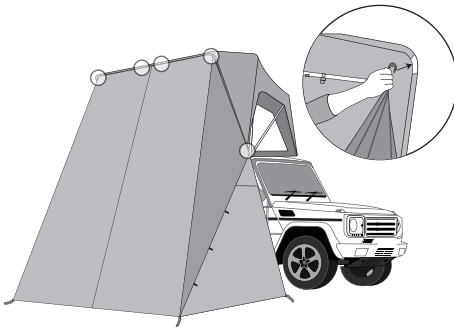
1. Take the awning out of the carry bag.



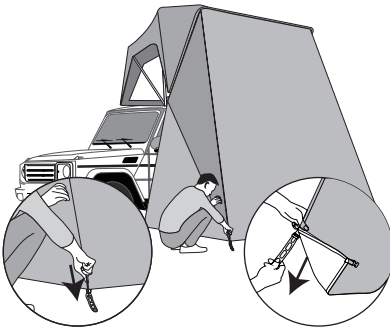
2. Clip the awning onto the pole of the roof tent from the middle to the two sides.
  - Adjust the length of the adjustable buckles.



3. Clip the awning onto the u-shaped pole on the front.
  - Adjust the length of the adjustable buckles.

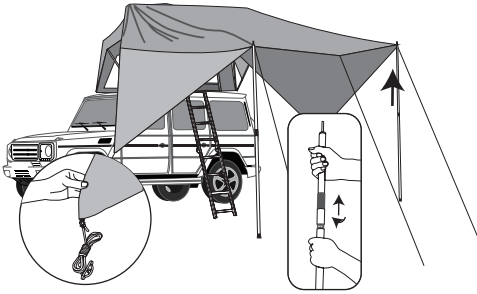


4. Use pegs to tie down awning.



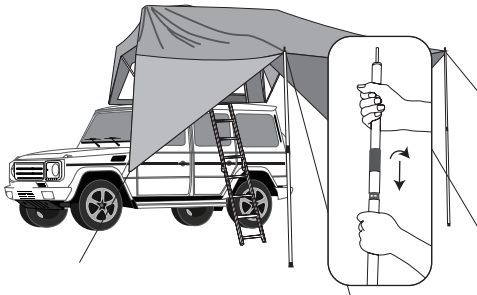


5. The awning can be rolled up from the middle and two sides, and clipped onto the roof.



6. Put the guy-line on.
7. Set up the awning as a canopy.

## Disassembly

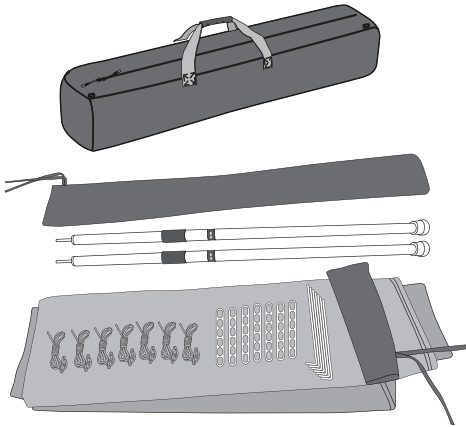


1. Take down the poles and the guy-line.

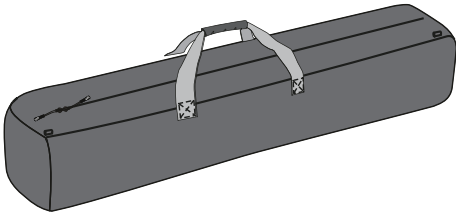


2. Unclip the awning.

3. Make sure all accessories are together.



4. Place the awning and accessories into the carry bag.



## Storage

Do not store the tent and awning damp or wet.  
Store the tent and awning in a dry place when not in use.

## **Warranty**

If the product does not work as it should, please contact your retailer or the manufacturer's branch in your country (see [dometic.com/dealer](http://dometic.com/dealer)). The warranty applicable to your product is 1 year.

For repair and warranty processing, please include the following documents when you send in the device:

- A copy of the receipt with purchasing date
- A reason for the claim or description of the fault

### **Australia only**

Our goods come with guarantees that cannot be excluded under the Australian Consumer Law. You are entitled to a replacement or refund for a major failure and for compensation for any other reasonably foreseeable loss or damage. You are also entitled to have the goods repaired or replaced if the goods fail to be of acceptable quality and the failure does not amount to a major failure.

### **New Zealand only**

This warranty policy is subject to the conditions and guarantees which are mandatory as implied by the consumer guarantees act 1993 (NZ).

## **Disposal**

Local regulations must be observed when disposing of a roof tent or awning. Information on recycling or disposal can be obtained from the relevant environmental authorities.

## **Copyright**

© 2020 Dometic Group. The visual appearance of the contents of this manual is protected by copyright and design law. The underlying technical design and the products contained herein may be protected by design, patent or be patent pending. The trademarks mentioned in this manual belong to Dometic Sweden AB. All rights are reserved.



Mobile living made easy.

---



**dometic.com**

---

**YOUR LOCAL  
DEALER**

**dometic.com/dealer**

**YOUR LOCAL  
SUPPORT**

**dometic.com/contact**

**YOUR LOCAL  
SALES OFFICE**

**dometic.com/sales-offices**

---

A complete list of Dometic companies, which comprise the Dometic Group, can be found in the public filings of:  
**DOMETIC GROUP AB** Hemvärnsgatan 15 SE-17154 Solna Sweden

4445103030 01/2020