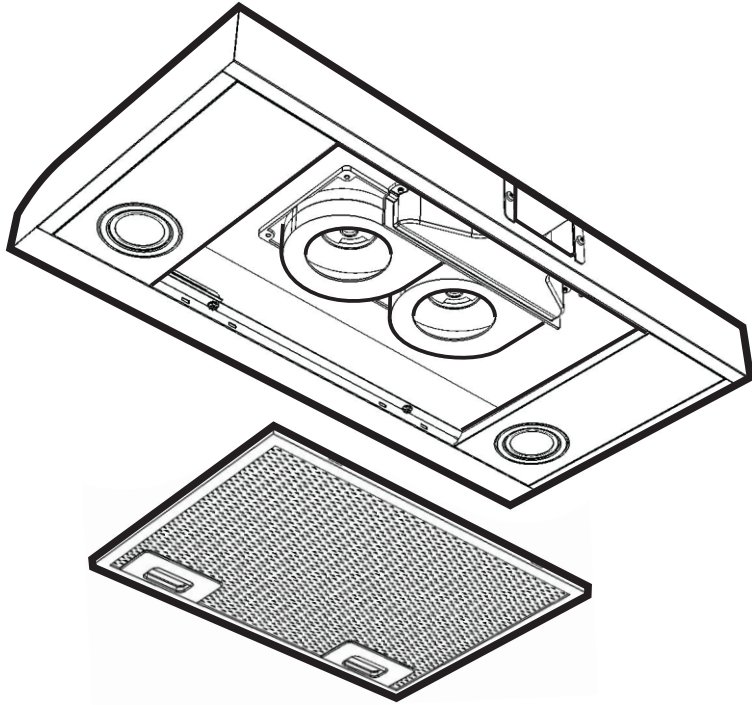


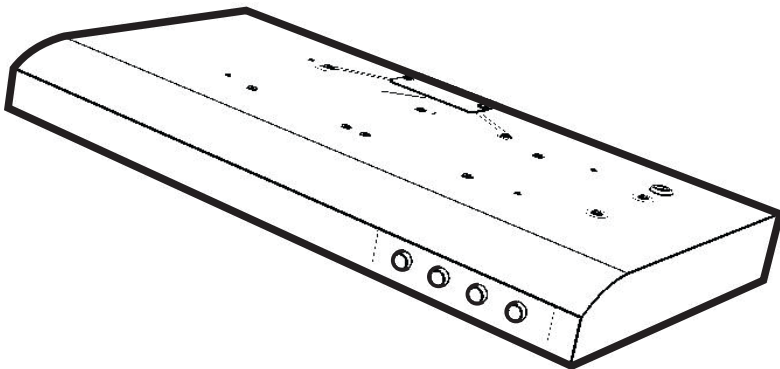
Camec 12V Turbo Rangehood

Part no. 040864

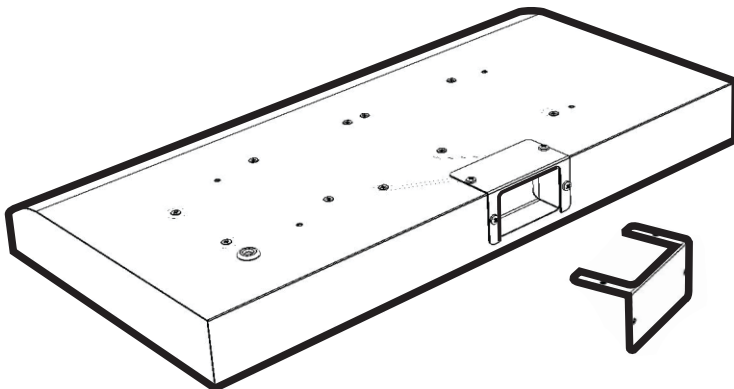
For built-in and under mount installations 59cm wide.



- 2 Powerful 12 Volt, twin speed extractor fans.
- 2 low energy LED down lights.
- Removable filter for easy cleaning and replacement.



- Stainless steel construction - Laser welded seams and burnished polish finish
- Illuminated control buttons - On / Off , illumination and fan speed.



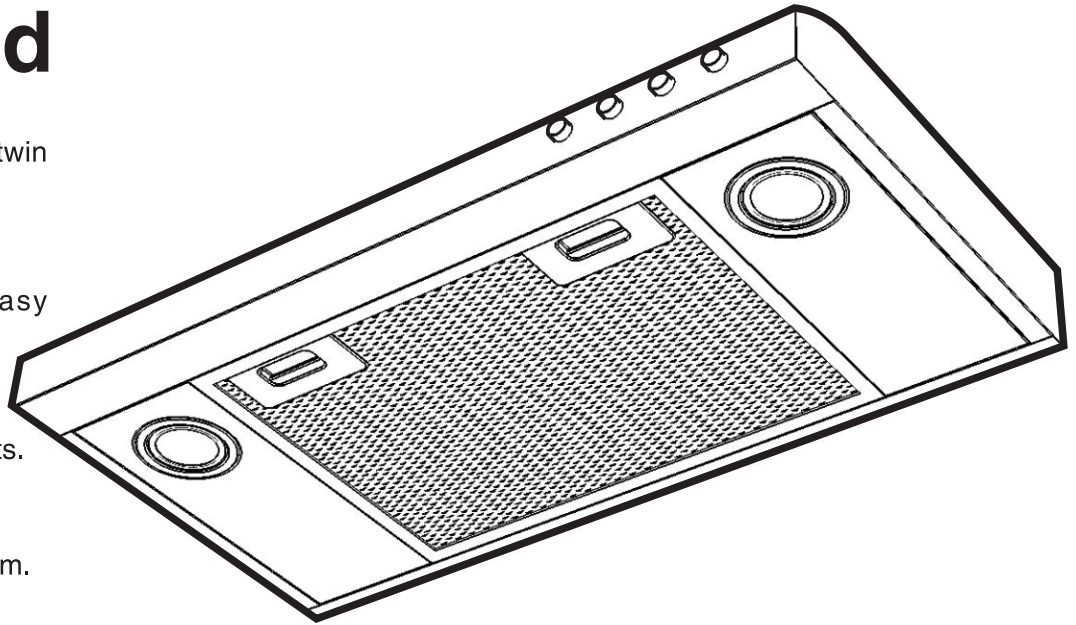
- Roof or rear air venting - Simply undo 2 screws to remove rear duct, turn it upside down and replace.
- Dimensions:- W586mm, D305mm, H60mm

Technical specifications and product sizes can be varied by the manufacturer without notice. Cutouts for appliances should only be by physical product measurements. The information is indicative only.

This Rangehood has been NATA Laboratory Tested in Australia, and is safe to be installed / used at a height of 450mm above a Cooker, as per AS 5601.2-2010 - LP Gas Installations in Caravans and Boats for Non-propulsive Purposes. For Domestic applications, a minimum of 600mm above heating surfaces must be maintained.

Rangehood

- Powerful 12V 2 speed twin extractor fans.
- Roof or rear air venting.
- Removable filter for easy cleaning and replacement.
- Illuminated control buttons.
- 2 x low energy LED down lights.
- Stainless steel construction.
- W586mm x D305mm x H60mm.



APPLICATION

This rangehood is suitable for most 12V applications, including recreational vehicles, boats, cabins etc. It can be wall or island mounted with the ability to vent the exhaust gas through the roof or walls. It is especially suitable where cabinet width is less than the 60cm.

DUCTING

Vapours are extracted directly into the atmosphere to ensure the maximum removal of grease/oil/particle-laden vapours plus odours and importantly heat; resulting in a cleaner, cooler and more comfortable cooking environment.

TURBO FANS

The internal fan and duct assemblies are custom designed and moulded to minimise air drag and noise while maximising the air flow of unwanted vapours.

SAFETY

The fan motors include thermal overload protection, the casing and mesh are made from non-flammable stainless steel and aluminium while the plastic components are made from self-extinguishing VO plastic designed to minimise the risk of fire.

MAINTENANCE

This rangehood is equipped with an aluminium filter that requires periodic cleaning. The filter can be cleaned by unclipping it from the unit and either rinsing the filter under hot water or washing it in a dish washer. The stainless steel casing can be cleaned using most household surface cleaners. (Check label for suitability before use)

PERFORMANCE

The unit is equipped with two high performance 2 speed fans to ensure the swift removal of cooking vapours, odours and heat. The high speed setting is perfect for cooking where there are large amounts of vapour emissions such as stir frying, grille cooking and boiling. The lower speed is perfect for simmering and roasting etc. It is also equipped with an air filter designed to remove most solid residues.

RECIRCULATION

When exhaust vapours cannot be ducted to the atmosphere, the filtered air can be redirected back into the kitchen via a duct pipe through the overhead cabinetry. However this method of ducting is not optimal.