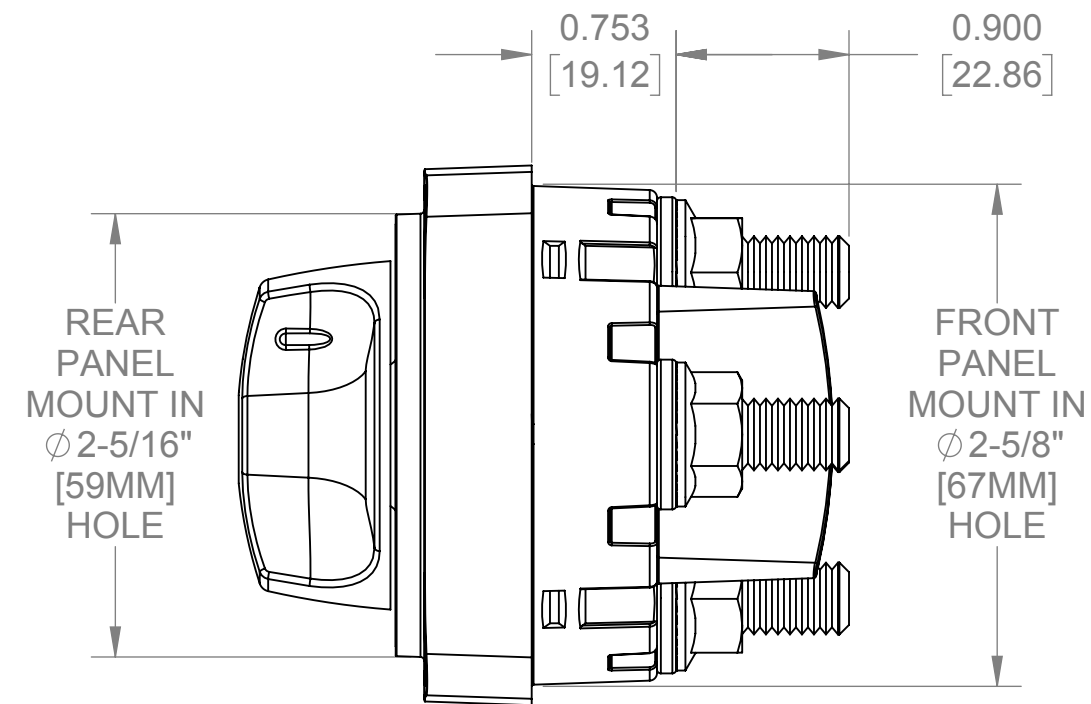
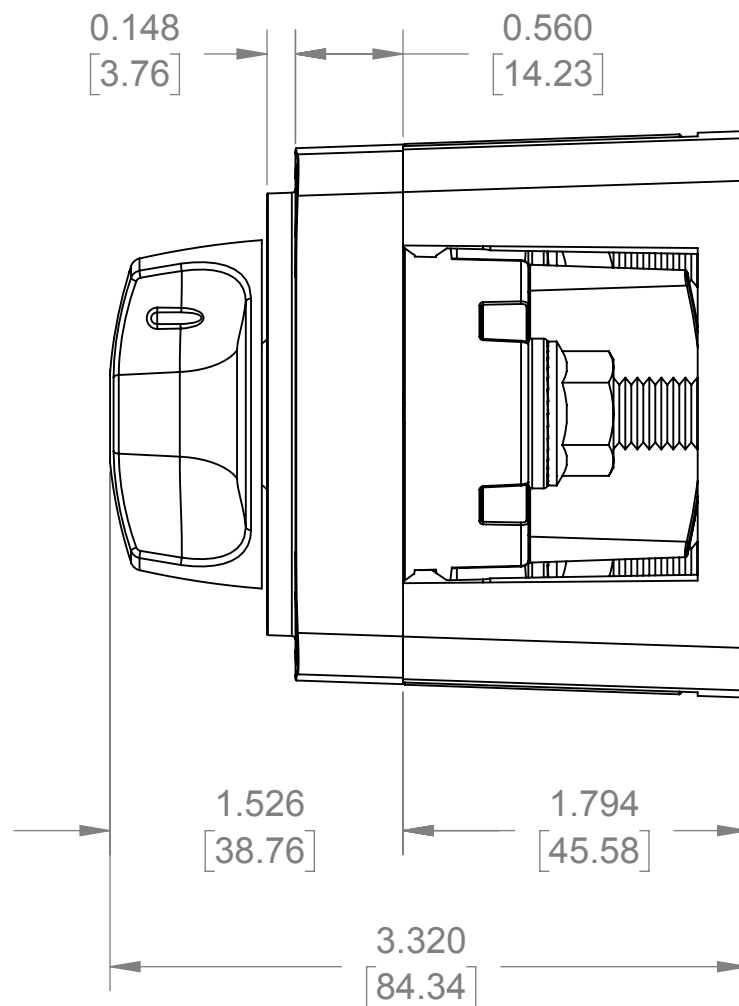
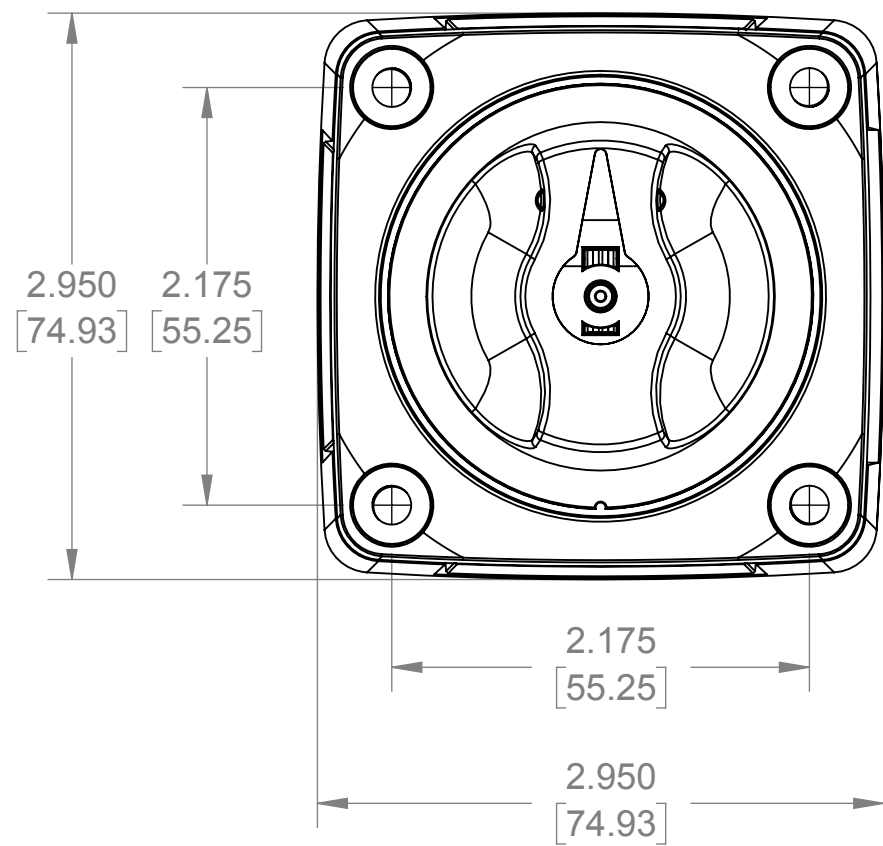


THIS DRAWING AND THE INFORMATION CONTAINED WITHIN IT ARE CONFIDENTIAL AND MAY NOT BE COPIED OR DISCLOSED WITHOUT THE WRITTEN PERMISSION OF BLUE SEA SYSTEMS.



THIRD ANGLE PROJECTION



**BLUE SEA SYSTEMS**

425 Sequoia Drive Bellingham, WA 98226  
Phone (360)738-8230 Fax (360)734-4195

**M SERIES SWITCH WITH KNOB**

Part Numbers 6006, 6006200, 6007, 6007200, 6010, 6010200, 6011, 6011200

|                          |                      |              |
|--------------------------|----------------------|--------------|
| SIZE<br>B                | DWG. NO.<br>M SWITCH | REV.<br>0    |
| SCALE 1:1 WEIGHT: POUNDS |                      | SHEET 2 OF 3 |