

## Connector Pin Assignment

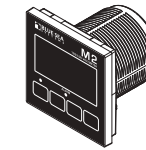
## System Overview

# M2 OLED Digital Monitor

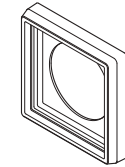
## QuickStart Installation Guide

### 1841 Temperature Monitor

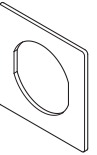
#### Components Included



M2 Head Unit



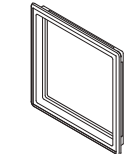
Surface Mount Bezel and Seal



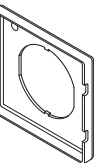
Surface Mount Gasket



Surface Mount Cover



Flat Mount Bezel



Flat Mount Clamp



Mounting Ring



Mounting Nut



4x 1821 Temperature Sensors



Connector

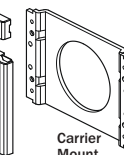


Screwdriver (retail package only)

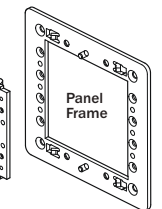
#### 360 Panel Mounting Kit PN 1525 sold separately



Header



Bezel Mount



Panel Frame

#6-32 x 1/4" Flat Head Machine Screws (4X)

#6-32 x 3/8" Flat Head Machine Screws (4X)

Footer

Carrier Mount

[www.blueseasystems.com/products/1841](http://www.blueseasystems.com/products/1841)

### Connector Pin Assignment Table

| 8 Pin Connector*             | Function             |
|------------------------------|----------------------|
| 1 <i>Required Connection</i> | DC Negative          |
| 2 <i>Required Connection</i> | DC Supply            |
| 3                            | Relay DC-Out to Load |
| 4                            | Relay DC +           |
| 5                            | Temperature 1        |
| 6                            | Temperature 2        |
| 7                            | Temperature 3        |
| 8                            | Temperature 4        |
| USB                          | Micro USB Port       |

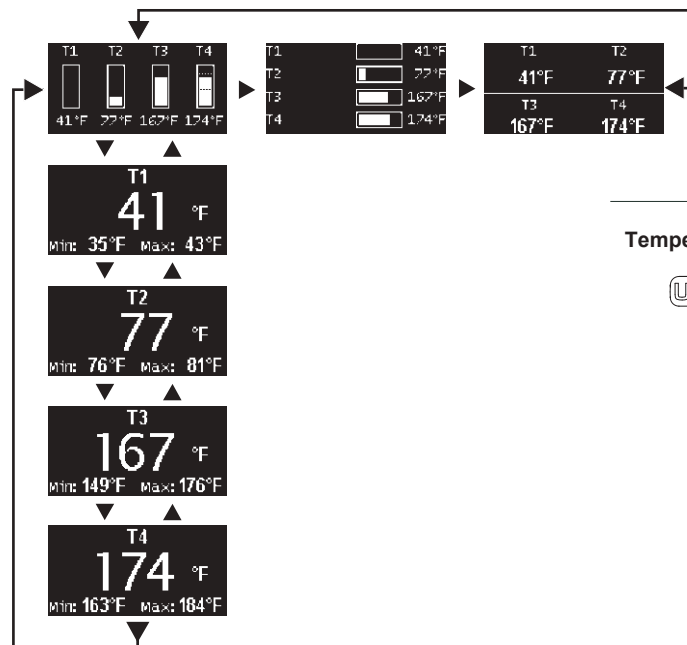
\*The 8 pin low voltage connector supports wire sizes from 16-26 AWG

## M2 Meter Navigation

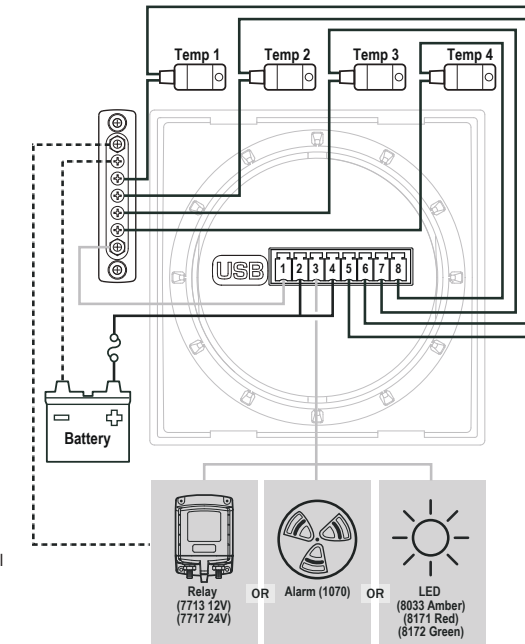
### Screen Menu Functions

Press any button to bring up the menu.

1. After start-up, press any button to access the menu.
2. Press the UP or DOWN arrow buttons to scroll through menu windows.
3. To set alarms and for more detailed information, see the online manual at [www.blueseasystems.com/products/1841](http://www.blueseasystems.com/products/1841)



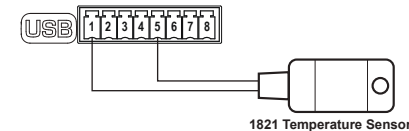
### 1841 Temperature Monitor Connections



For the online manual that includes other configurations, go to [www.blueseasystems.com/products/1841](http://www.blueseasystems.com/products/1841)

Note: The negative feed of all of the temperature sensors should terminate as close as possible to pin 1. Use Blue Sea Systems' PN 2304 Mini Bus with a short 18 AWG gauge wire from pin 1 to the Mini Bus.

### Temperature Sensor Connections 1821



1821 Temperature Sensor

### WARNING

The WARNING symbol refers to possible injury to the user or significant damage to the monitor if the user does not follow the procedures.

### CAUTION

The CAUTION symbol refers to restrictions and rules with regard to preventing damage.

### WARNING

- ✓ If you are not knowledgeable about electrical systems, have an electrical professional install this unit. The diagrams in these instructions pertain to the installation of the unit and not to the overall wiring of the vessel.

- ✓ Verify that no other DC or AC sources are connected to the vessel's wiring before installing the unit.

### CAUTION

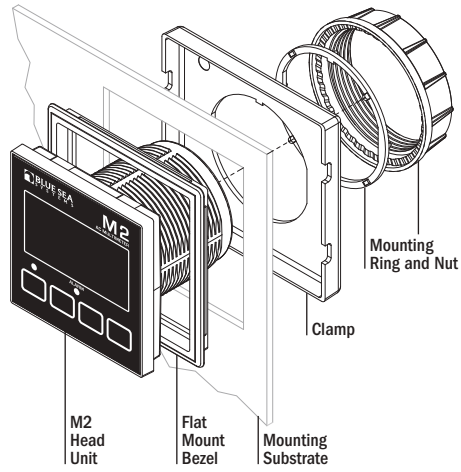
- ✓ The back of the unit is not waterproof. Do not install where the back of the monitor is exposed to water.

## Warranty

The M2 OLED Digital Meters come with a 5 year manufacturer's warranty. This means the meter is warranted to be free from defects in materials or workmanship for 5 years from the date of first purchase. The warranty is limited solely to the cost of repair or replacement of the M2 Meter product. Costs associated with labor or shipping of the defective parts are not covered. Blue Sea Systems cannot accept liability for damage due to the misuse of the M2 Meter.

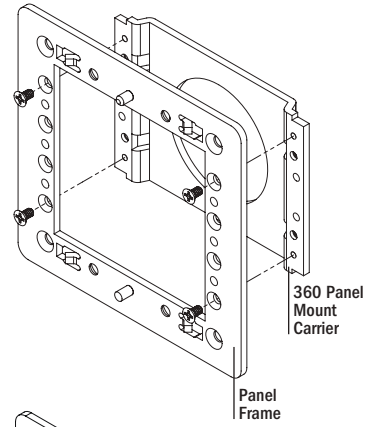
# Mounting Options

## Flat Mount

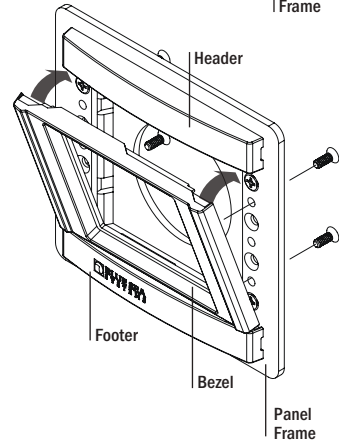


## 360 Panel Mount PN 1525 (If retrofit to existing panel)

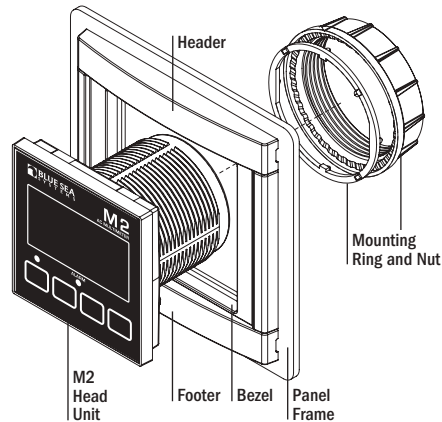
**STEP 1**  
Use 1/4" Mounting Screws



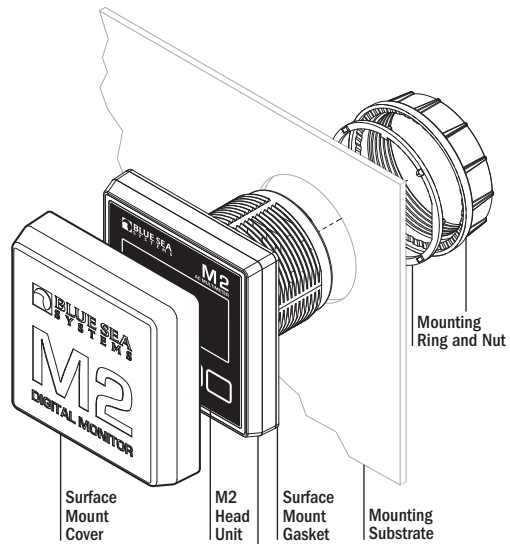
**STEP 2**  
Snap header and footer into mounting clips and post. Snap the mounting bezel into place with the flat edge up.



**STEP 3**



## Surface Mount



**NOTE:** During installation use cover to align the bezel and gasket

Surface Mount Bezel and Seal

# Mounting Templates

