

Connector Pin Assignment

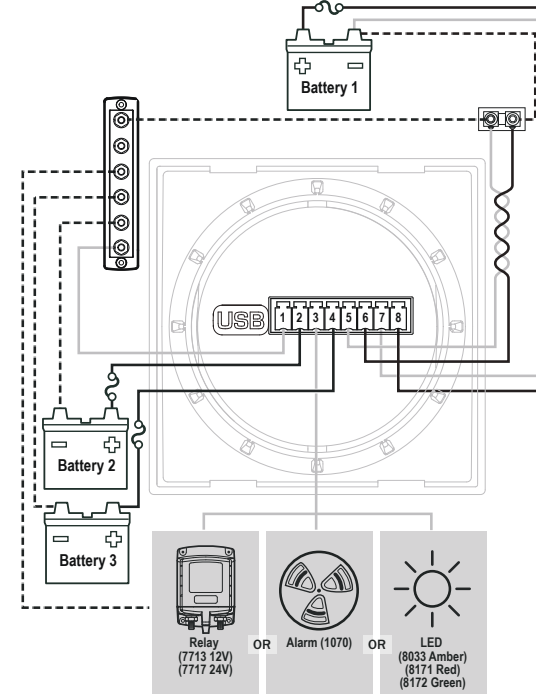
Connector Pin Assignment Table

8 Pin Connector*	Function
1 Required Connection	DC Negative
2 Required Connection	DC Supply/Battery 2 +
3	Relay DC Out to Load
4	Relay DC +/-Battery 3 +
5	Shunt 1 -
6	Shunt 1 +
7	Battery 1 -
8	Battery 1 +
USB	Micro USB Port

*The 8 pin low voltage connector supports wire sizes from 16-26 AWG

System Overview

1830 DC SoC Monitor



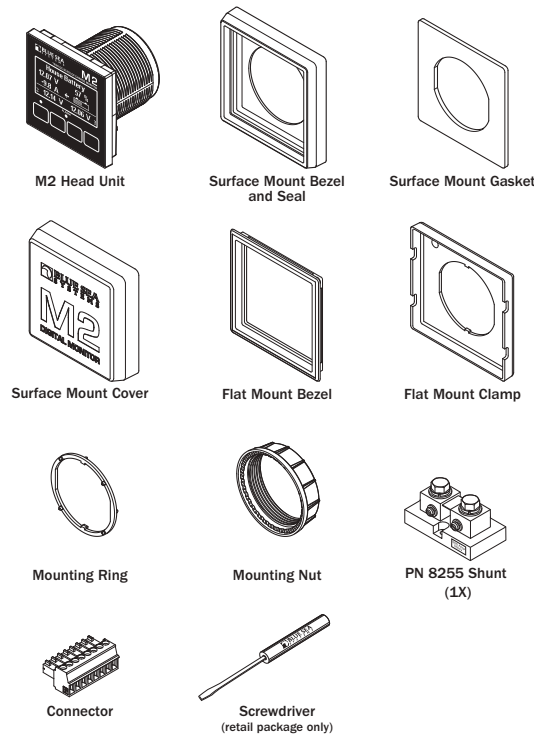
For the online manual that includes other configurations, go to www.blueseasystems.com/products/1830

M2 OLED Digital Monitor

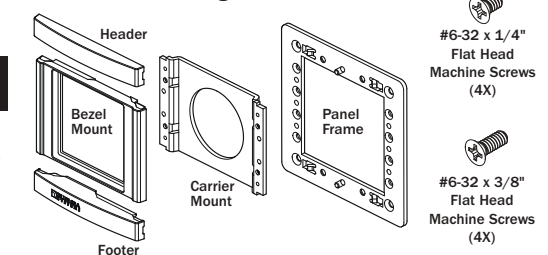
QuickStart Installation Guide

1830 DC SoC Monitor

Components Included



360 Panel Mounting Kit PN 1525 sold separately



www.blueseasystems.com/products/1830

State of Charge Configuration

The 1830 SoC Monitor must be configured before it can calculate state of charge. The configuration settings menu can be found by pressing:

Menu->Setup->DC1 Setup.

Three settings must be configured:

Battery Voltage - This setting indicates the nominal voltage of the battery. The options are 12V, 24V, 36V, and 48V.

Battery Type - This setting decides the battery type.

The available options are as follows:

FLStd (Standard Flooded Acid Batteries)

AGM (Standard AGM Batteries)

TPPL (Thin Plate Pure Lead AGM Batteries)

GEL (Gel Batteries)

FLRsv (Flooded Acid Reserve. Premium Flooded Acid Batteries such as Rolls)

FLLoM (Flooded Low Maintenance. Sealed Flooded Acid Batteries)

Battery Capacity

This setting indicates the capacity of the battery in Amp-hours.

The available range is 0A to 5000A.

WARNING

The WARNING symbol refers to possible injury to the user or significant damage to the monitor if the user does not follow the procedures.

CAUTION

The CAUTION symbol refers to restrictions and rules with regard to preventing damage.

WARNING

✓ If you are not knowledgeable about electrical systems, have an electrical professional install this unit. The diagrams in these instructions pertain to the installation of the unit and not to the overall wiring of the vessel.

✓ Verify that no other DC or AC sources are connected to the vessel's wiring before installing the unit.

CAUTION

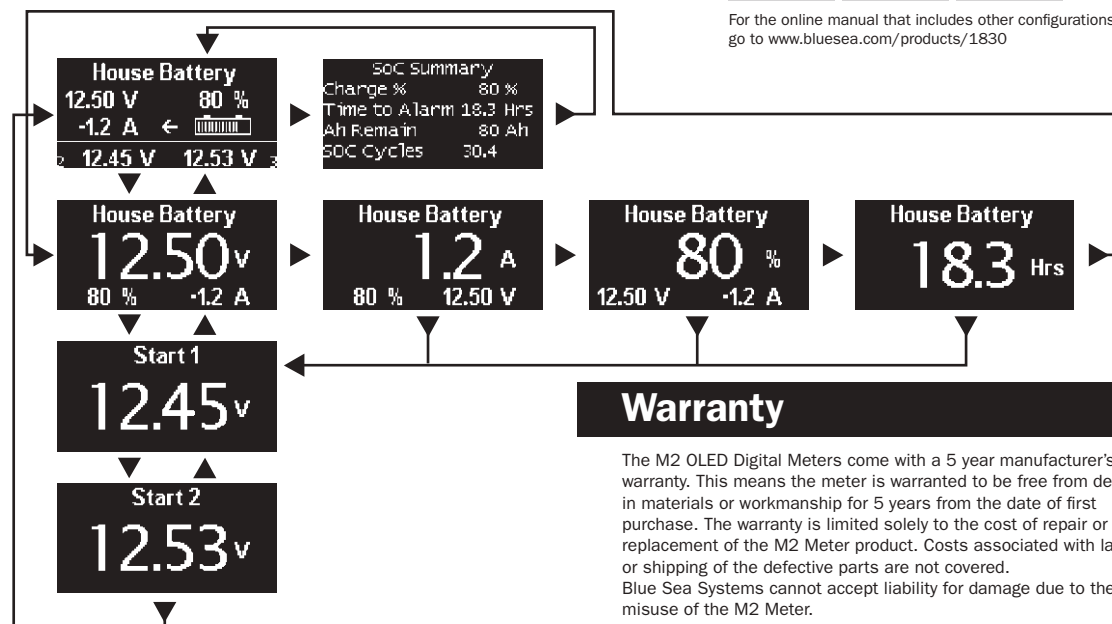
✓ The back of the unit is not waterproof. Do not install where the back of the monitor is exposed to water.

M2 Meter Navigation

Screen Menu Functions

Press any button to bring up the menu.

1. After start-up, press any button to access the menu.
2. Press the UP or DOWN arrow buttons to scroll through menu windows.
3. Press the NEXT button to scroll right.
4. To set alarms and for more detailed information, see the online manual at www.blueseasystems.com/products/1830



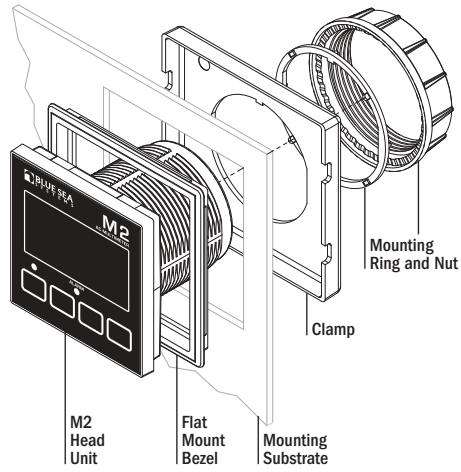
Warranty

The M2 OLED Digital Meters come with a 5 year manufacturer's warranty. This means the meter is warranted to be free from defects in materials or workmanship for 5 years from the date of first purchase. The warranty is limited solely to the cost of repair or replacement of the defective parts are not covered. Blue Sea Systems cannot accept liability for damage due to the misuse of the M2 Meter.

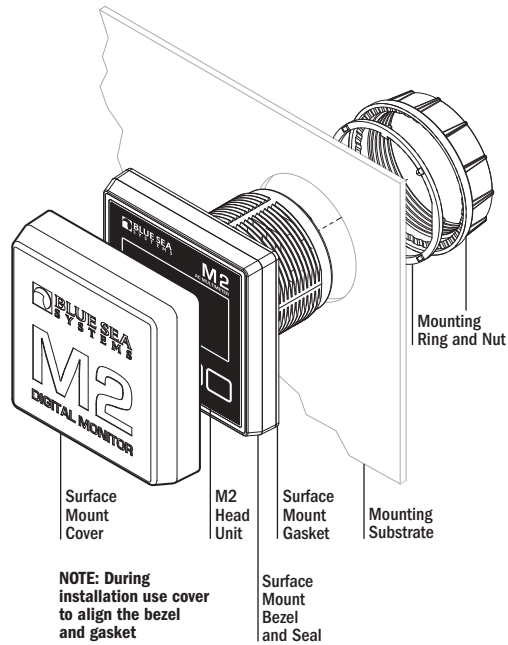
Mounting Options

Mounting Templates

Flat Mount

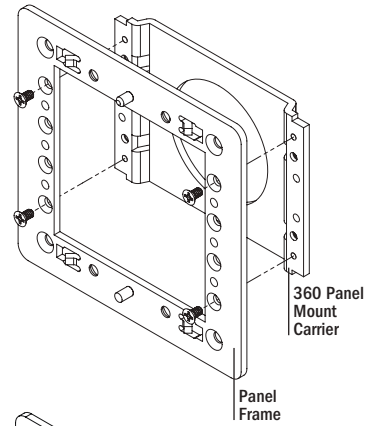


Surface Mount

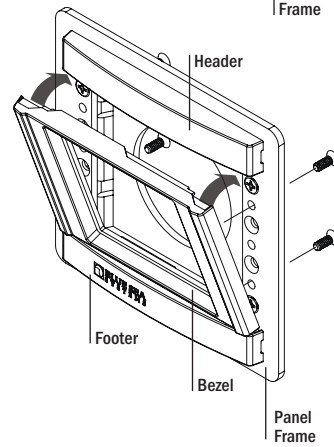


360 Panel Mount PN 1525 (If retrofit to existing panel)

STEP 1
Use 1/4" Mounting Screws



STEP 2
Snap header and footer into mounting clips and post. Snap the mounting bezel into place with the flat edge up.



STEP 3

