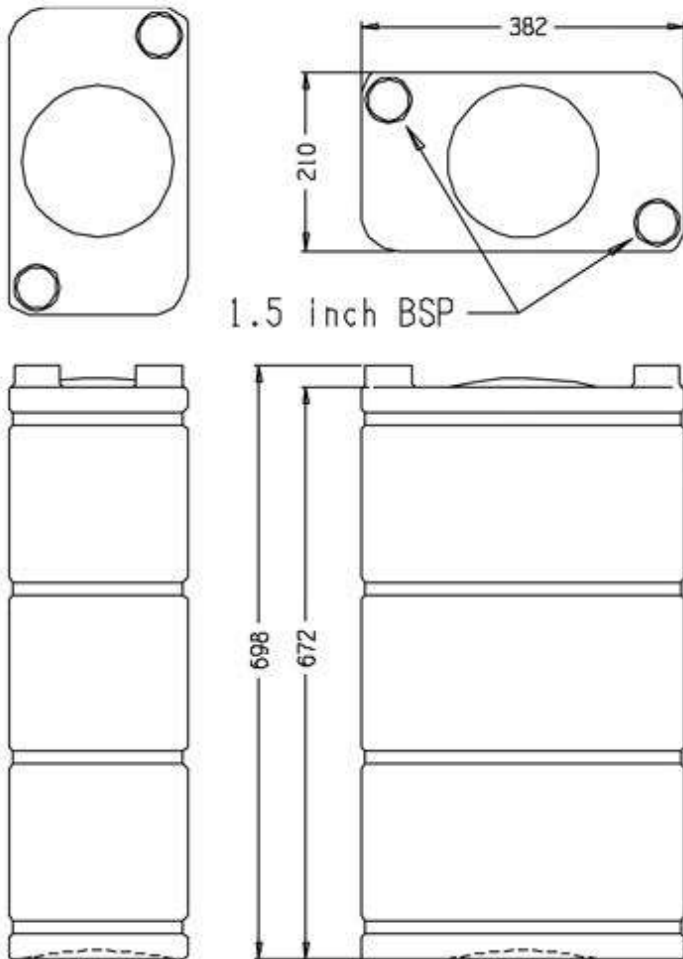


Universal Caravan & RV Water Tank

50 Litre Water or Grey Water Tank



Single Tank Dimensions
50 Litre Tank
Part No 200003

Weight 2.5Kg



The BR Plastics tank is blow moulded from food contact approved High Molecular Weight High Density Polyethylene. This makes the tank a super tough performer.

The tank is moulded with two integral 40mm (1.5" BSP) threaded female closures that can accept a wide variety of standard fixtures and fittings.

Using these standard fittings the tank can be networked together to provide many water storage options for your vehicle.

When installation configuration has been chosen, drill a 3-4mm hole in the top of each tank to allow for air venting.

Install the tanks in one of the configurations shown to provide the optimal installation for your application.

Note: Use Teflon sealant tape on fittings and ensure fittings are not cross threaded. Tanks should be fully supported with no load on fittings. Tank may swell when full.