

The OceanLED Sport series is the perfect choice for fishing and cruising in small to medium sized boats.

KEY FEATURES



Up To 5,000
Fixture Lumens



90°
Top Beam



20°
Side Beam



Rectangular
Beam

COLOUR PART#



Ultra White
012102W

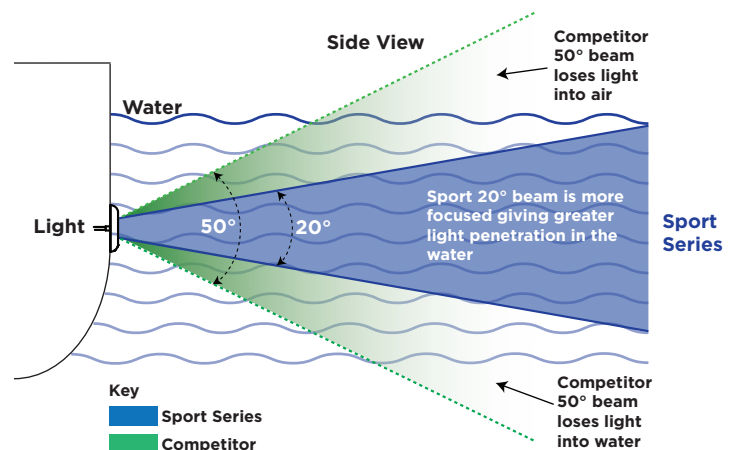


Midnight Blue
012101B

Packing an impressive 5,000 fixture lumens into a low profile, compact design with Midnight Blue and Ultra White light options.

Advanced optics, designed exclusively by OceanLED, offer a truly striking 90° top beam angle with a focused 20° side beam angle providing greater water penetration and a significantly larger area illuminated without any loss.

- 20% brighter than its competitors, illuminating a significantly larger area.
- 60% narrower focused side beam angle providing greater water penetration.
- True 90° beam angle with no fading at the edge gives better illumination.



11,600 LUMENS / 5,000 FIXTURE LUMENS

Best-in-class performance from this ultra-bright light makes it the obvious choice for those who want to stand out from the crowd.

90°/20° BEAM ANGLE

A true wide-angled, focused beam lights up a large area of the water.

COMPACT AND SIMPLE DESIGN

Made from corrosion resistant Alu Bronze, there is a lot packed into this 10cm light.

SIMPLE TO INSTALL

12.5mm hole in the hull to feed the cable through and 3 screws to hold in place. No bonding required.

EASY TO CLEAN

Thanks to its Tritonium coating, a simple wipe of the lens removes any underwater growth, saving hours of scrubbing each time you use it.

FISH-STROBE MODE

Exceptionally bright, randomised strobing of the light is proven to attract more fish and catch more bait.

ACTIVE THERMAL CONTROL

ATC prevents overheating. In the event of overheating the ATC system will reduce the LED power level in order to protect the LEDs, or in extreme cases, turn off the fixture completely.

S3116s SPECIFICATIONS

BOX CONTENTS

Sport Series LED Light and Cable

In-line Fuse Kit

Mounting Screws

Quick Install Guide

ACCESSORIES

PART

4 Way V DC Power Junction Box

019901

MOUNTING RECOMMENDATIONS

Boat size

Up to 65' (20m)

Transom / Hull spacing

2-4' (0.5-1.2m)

Transom quantity

2-6

Installation depth
(To top of fixture)

8-10" (20-25cm)

TECHNICAL

Lumens

11600

Fixture Lumens

5000

Typical LED life expectancy

40,000+ Hours

Minimum-Maximum operating voltage
DC

9-32V DC

Current / Amp draw (DC)
(Amperage draw for Colours models
vary by colour selected, this is the
maximum)

12V DC 5.5A
24V DC 2.4A

Driver type

Internal, Reverse
Polarity Protected

PHYSICAL

Total weight

700g

Extension cable length (standard)

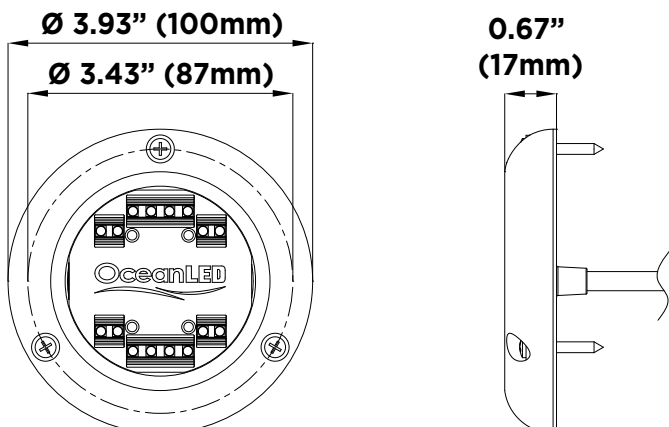
9.84' (3m)

Hole cut-out for cable entry

0.5" (12.5mm)

Material

AB2 Aluminium Bronze



*Fixture Lumens rating is a measurement of total white light output from a complete (as sold) light fixture using laboratory standard, calibrated photometric measuring equipment.