

# Fitting Instructions



SKU

**TXR816**

PRODUCT

**TAG Extreme Recovery Towbar for Toyota Landcruiser – (1996 to 2012)**

SPECIFICATIONS

- Towbar Class: CL 7 Extreme Recovery
- Towing Capacity: 3500kg
- Tow ball Weight: 350kg
- Recovery Point WLL: 4500kg
- Approx. Fitment Time: 30 Minutes



Scan for latest version of these instructions

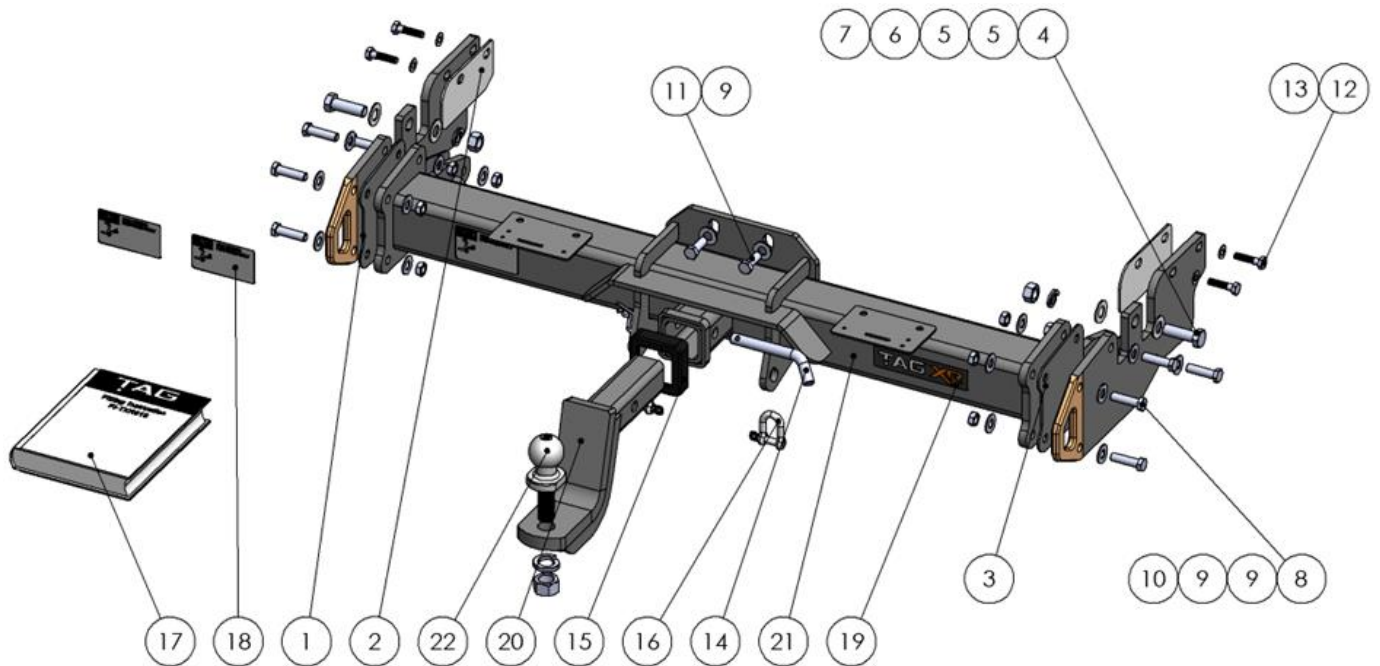
TOOLS REQUIRED

- Spanners
- Sockets
- Torque Wrench

IN THIS GUIDE

- Fitment Instructions
- Torque Settings
- Warranty Info

# Towbar Assembly



ITEM NO.	DESCRIPTION	QTY.	ITEM NO.	DESCRIPTION	QTY.
1	Endplate w/ Recovery	2	12	M10 x 1.25 x 40 Bolt	4
2	3mm Chassis Spacer	2	13	M10 Flat Washer	4
3	3mm Endplate Spacer	2	14	Class 4 Pin & Clip	1
4	M16 x 2 x 50 Bolt	2	15	TAG Hitch Receiver Cover	1
5	M16 Flat Washer	4	16	TAG D-Shackle – 13mm	2
6	M16 Spring Washer	2	17	Fitting Instruction	1
7	M16 x 2.0 Nut	2	18	TAG Compliance plate	3
8	M12 x 1.25 x 45 Bolt	8	19	TAG XR Sticker	1
9	M12 Flat Washer	18	20	PC Ball Mount	1
10	M12 x 1.25 Nut	8	21	Welded Assembly	1
11	M12 x 1.25 x 35 Bolt	2	22	TAG Tow Ball 50mm, 3.5t	1

# Important Information



## Warning:

- This product is for towing purposes only and must only be loaded as shown in your vehicle Owner's Manual.
- This towbar is NOT to be drilled, cut, welded, or modified in any way.
- Check behind chassis rail and body panels before drilling to ensure no hazards are present.
- All load ratings shown are under the assumption your trailer has a functional braking system installed.
- When installed in positions other than the one depicted in these instructions the Tow Ball Mount may interfere or obstruct certain features of your vehicle (tailgate opening, Chassis clearance, etc.)

## General:

- Before fitting this towbar read fitting instructions and check installation hardware is correct.
- Check that the towbar is suitable for the vehicle and be wary of any changes to the vehicle design that may conflict with the fitting of this towbar. (Tray, Canopy, Suspension etc.)
- After drilling, blow any filings clear, remove any burrs and treat exposed metal with a rust inhibitor.
- The high tensile fasteners supplied with this product are an integral feature to achieving the specified rating, if replacement is required ensure that fasteners of the same grade (8.8) & quality are used. Contact an authorised TAG distributor or the TAG fitment center - (07) 3208 3022 - if further information is required.

## Towbar Maintenance and Care:

It is recommended, when not in use, the Tow Ball Mount assembly and class 4 Pin and Clip is stored inside the car away from moisture to prevent standing water from forming rust. Inspect to ensure, on regular basis, fasteners are torqued to the specifications below and in good condition.

Ensure that the fitting instructions are read and understood prior to fitment  
Place these instructions in the vehicle's glovebox after installation is completed.

<i>Metric Bolt Torque Settings</i>										
Diameter	Pitch	Grade	Torque	Unit	Diameter	Pitch	Grade	Torque	Unit	
M8	1.25	8.8	29	Nm	M12	1.50	8.8	97	Nm	
M10	1.25	8.8	57	Nm	M12	1.75	8.8	77	Nm	
M10	1.50	8.8	44	Nm	M14	2.00	8.8	122	Nm	
M12	1.25	8.8	101	Nm	M16	2.00	8.8	190	Nm	

---

## Step 1: Fit Towbar

---

- a. Lay out the fitting kit next to the towbar and check the fitting kit contents are correct.
- b. Lift the endplate up to the chassis rail and align with captive holes.
- c. Insert 2x M10x 1.25x 40 bolts. Secure loosely.
- d. Repeat on opposite side.
- e. Loosely secure the welded towbar crossmember to the endplates with 8x M12x 1.25x 45 bolts, flat washers, and nuts.

**Note: If a gap larger than 3mm on either side is present use the included packer plates between the center assembly and endplate assemblies.**

- f. Align towbar crossmember to the center chassis and insert 2x M12x 1.25x 45 bolts and washers into captive threads of chassis. Secure loosely.
- g. Using the remaining hole in the endplates as a guide drill a 16mm hole through the outer face of each chassis.  
**Treat all raw edges with a suitable rust inhibitor.**
- h. Insert M16x 2.0x 50 bolts with flat washers into endplates & drilled holes. Loosely secure with M16 nuts, and Flat and spring washers
- i. Beginning with the chassis bolts, tighten all fasteners to the torque specification on page 3.

---

## Step 2: Apply Compliance Label

---

Apply one of the compliance labels to the pillar of the driver's door. Leave the remaining label and the fitting instructions in the vehicle handbook.



# TAG Warranty Statement



SWD warrants your TAG Towbar for its full product life under the following conditions:

- You can show proof of purchase.
- The towbar has been correctly installed by a suitably qualified installer.
- The towbar has not been modified or abused in any way and has only been used for the purpose intended.
- The towbar was not fitted second hand to your vehicle.

The extent of this warranty includes materials and workmanship used in the manufacture of the towbar and is to the equivalent value of current, full replacement cost.

Nothing stated or implied in this warranty limits in any way, the statutory rights that you may have.

To make a claim visit the original installer in the first instance or, if you are unable to or are not satisfied with their help, then contact us direct by phone on 1300 669122 or visit [www.swd.com.au](http://www.swd.com.au).