

Fitting Instructions

SKU

TXR800

PRODUCT

TAG Extreme Recovery Towbar for Isuzu D-Max - (07/2020 - ON) & Mazda BT50 - (07/2020 - ON)

SPECIFICATIONS

- Towbar Class: CL 7 Extreme Recovery
- Towing Capacity: 3500kg
- Tow ball Weight: 350kg
- Recovery Point WLL: 4500kg
- Approx. Fitment Time: 30 Minutes



Scan for latest version of these instructions

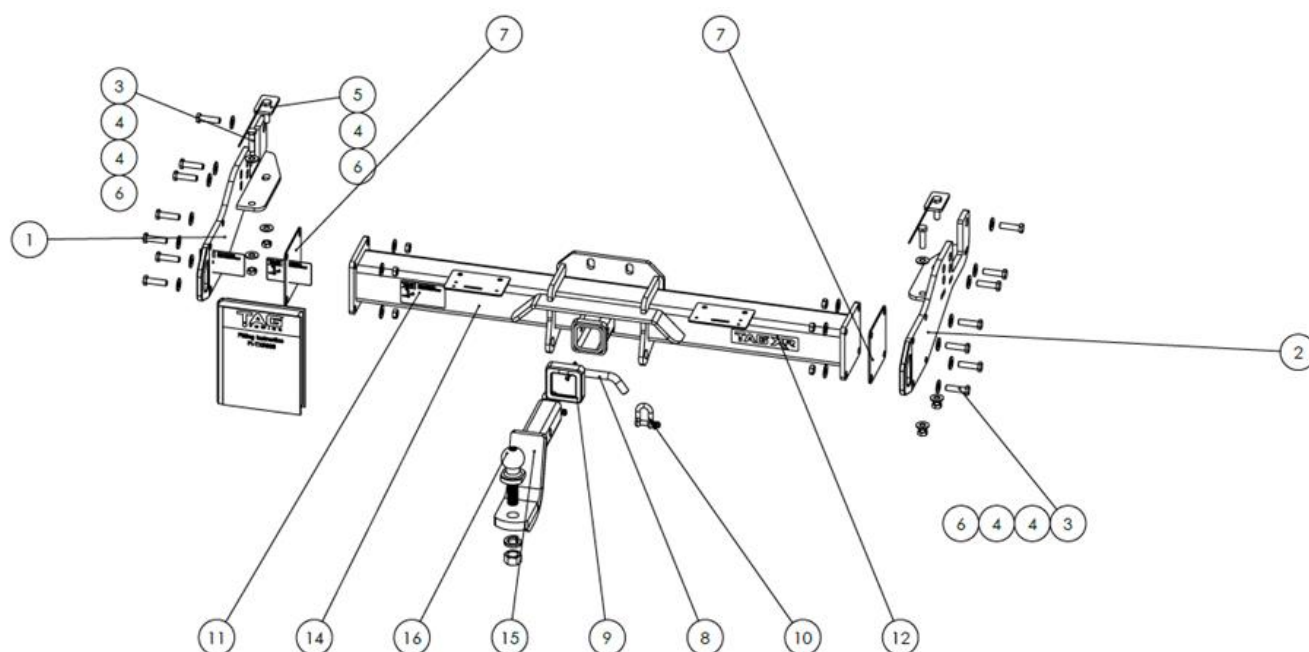
TOOLS REQUIRED

- Spanners
- Sockets
- Torque Wrench

IN THIS GUIDE

- Fitment Instructions
- Torque Settings
- Warranty Info

Towbar Assembly



ITEM NO.	DESCRIPTION	QTY.	ITEM NO.	DESCRIPTION	QTY.
1	End Plate (PS) TXR800	1	9	TAG Hitch Receiver Cover	1
2	End Plate (DS) TXR800	1	10	TAG D-Shackle – 13mm	2
3	M12 x 1.25 x 45 Bolt	16	11	TAG Compliance plate	3
4	M12 Flat Washer	28	12	TAG XR Sticker 150 x 33mm	1
5	M12 Bolt on Plate W/ Wire	2	13	Fitting Instruction	1
6	M12 x 1.25 Nut	12	14	Welded Assembly TXR800	1
7	End Plate Spacer	2	15	Powder Coated Ball Mount	1
8	Class 4 Pin & Clip	1	16	TAG Tow Ball 50mm 3.5t	1

Important Information



Warning:

- This product is for towing purposes only and must only be loaded as shown in your vehicle Owner's Manual.
- This towbar is NOT to be drilled, cut, welded, or modified in any way.
- Check behind chassis rail and body panels before drilling to ensure no hazards are present.
- All load ratings shown are under the assumption your trailer has a functional braking system installed.
- When installed in positions other than the one depicted in these instructions the Tow Ball Mount may interfere or obstruct certain features of your vehicle (tailgate opening, Chassis clearance, etc.)

General:

- Before fitting this towbar read fitting instructions and check installation hardware is correct.
- Check that the towbar is suitable for the vehicle and be wary of any changes to the vehicle design that may conflict with the fitting of this towbar. (Tray, Canopy, Suspension etc.)
- After drilling, blow any filings clear, remove any burrs and treat exposed metal with a rust inhibitor.
- The high tensile fasteners supplied with this product are an integral feature to achieving the specified rating, if replacement is required ensure that fasteners of the same grade (8.8) & quality are used. Contact an authorised TAG distributor or the TAG fitment center - (07) 3208 3022 - if further information is required.

Towbar Maintenance and Care:

It is recommended, when not in use, the Tow Ball Mount assembly and class 4 Pin and Clip is stored inside the car away from moisture to prevent standing water from forming rust. Inspect to ensure, on regular basis, fasteners are torqued to the specifications below and in good condition.

Ensure that the fitting instructions are read and understood prior to fitment
Place these instructions in the vehicle's glovebox after installation is completed.

<i>Metric Bolt Torque Settings</i>										
Diameter	Pitch	Grade	Torque	Unit	Diameter	Pitch	Grade	Torque	Unit	
M8	1.25	8.8	29	Nm	M12	1.50	8.8	97	Nm	
M10	1.25	8.8	57	Nm	M12	1.75	8.8	77	Nm	
M10	1.50	8.8	44	Nm	M14	2.00	8.8	122	Nm	
M12	1.25	8.8	101	Nm	M16	2.00	8.8	190	Nm	

Step 1: Fit Towbar

- a. Lay out the fitting kit next to the towbar with the fasteners in their respective positions on the towbar and ensure all hardware to be included is in the kit and correct.
- b. Mate endplates to chassis and loosely secure with 4 X M12 x 1.25 x 45 Bolts and washers, 3 on the side and one on the inside of the chassis in the forward most hole on the bottom face, the rear most hole receives the bolt on plate with wire in the same orientation. Both bottom bolts are complete with the respective washers and nuts
- c. Repeat for the other side.
- d. loosely secure the crossmember (Welded Assembly) to the endplates with 8 X M12 x 1.25 x 45 and two washers followed by a nut.

Note: If a gap larger than 3mm on either side is present use the included Packer plates between the center assembly and endplate assemblies.

- e. Starting with the endplates Torque all fasteners to the respective specifications (pg. 3)

Step 2: Apply Compliance Label

Apply one of the compliance labels to the pillar of the driver's door. Leave the remaining label and the fitting instructions in the vehicle handbook.



TAG Warranty Statement



SWD warrants your TAG Towbar for its full product life under the following conditions:

- You can show proof of purchase.
- The towbar has been correctly installed by a suitably qualified installer.
- The towbar has not been modified or abused in any way and has only been used for the purpose intended.
- The towbar was not fitted second hand to your vehicle.

The extent of this warranty includes materials and workmanship used in the manufacture of the towbar and is to the equivalent value of current, full replacement cost.

Nothing stated or implied in this warranty limits in any way, the statutory rights that you may have.

To make a claim visit the original installer in the first instance or, if you are unable to or are not satisfied with their help, then contact us direct by phone on 1300 669122 or visit www.swd.com.au.