

Fitting Instructions



SKU

PRODUCT

T7T715

**TAG Heavy Duty Towbar to suit
Toyota Hilux (07/2015 - on)**



Scan for latest
version of these
instructions

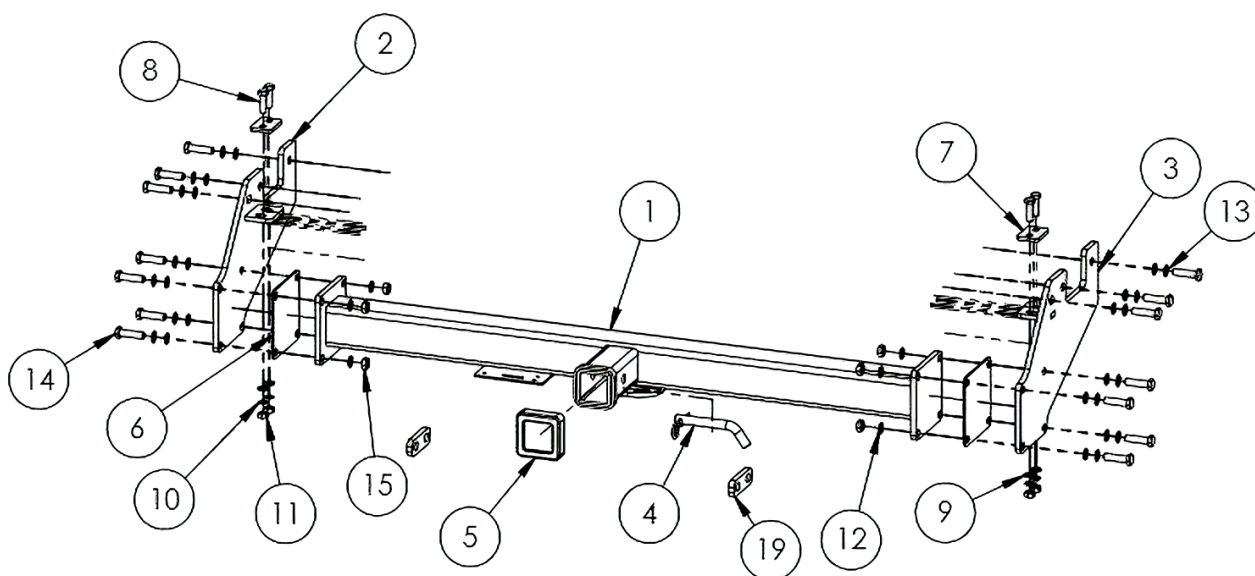
SPECIFICATIONS

- Towbar Class: Heavy Duty
- Towing Capacity: 3500kg

IN THIS GUIDE

- Fitment Instructions
- Torque Settings
- Warranty Info

Towbar Fitting Instructions



Tools Required: M10,12 Spanners/Sockets, Torque Wrench (Torque M10 to 60Nm, M12 to 100Nm)

Kit Contents					
Item No.	Description	Qty	Item No.	Description	Qty
1.	Towbar centre section	1	10.	M10 Shake Proof Washer	4
2.	Towbar End Plate Passenger Side	1	11.	M10x1.5 Nut	4
3.	Towbar End Plate Drivers Side	1	12.	M12 Flat Washer	22
4.	Class 4 Pin & Clip	1	13.	M12 Shake Proof Washer	14
5.	Hitch Collar Cover	1	14.	M12x1.25x45 Bolt	14
6.	3mm Spacer	2	15.	M12x1.25 Nut	8
7.	Dual Slot Top Plate	2	19.	10mm Bumper Spacer	2
8.	M10x1.5x35 Bolt	4	---	Spare Compliance Sticker	1
9.	M10 Flat Washer	4	---	D-Shackles	2

Step-By-Step Instructions

Warning:

- This product is for towing purposes only and must only be loaded as shown in your vehicle Owner's Manual.
- This towbar is NOT to be drilled, cut, welded, or modified in any way.
- Check behind chassis rail and body panels before drilling to ensure no hazards are present
- All load ratings shown are under the assumption your trailer has a functional braking system installed.
- When installed in positions other than the one depicted in these instructions the Tow Ball Mount may interfere or obstruct certain features of your vehicle (tailgate opening, Chassis clearance, etc.)

General:

- Before fitting this towbar read fitting instructions and check installation hardware is correct.
- Check that the towbar is suitable for the vehicle and be wary of any changes to the vehicle design that may conflict with the fitting of this towbar. (Tray, Canopy, Suspension etc.)
- After drilling, blow any filings clear, remove any swarf and treat exposed metal with a rust inhibitor.
- The high tensile fasteners supplied with this product are an integral feature to achieving the specified rating, if replacement is required ensure that fasteners of the same grade (8.8) & quality are used. Contact an authorised TAG distributor or the TAG fitment centre - (07) 3208 3022 - if further information is required.

Towbar Maintenance and Care:

It is recommended, when not in use, the Tow Ball Mount assembly and class 4 Pin and Clip is stored inside the car away from moisture to prevent standing water from forming rust. Inspect to ensure, on regular basis, fasteners are torqued to the specifications below and in good condition.

Ensure that the fitting instructions are read and understood prior to fitment

Place these instructions in the vehicle's glovebox after installation is completed

Towbar Fitting Instructions



Step 1. Remove Bumper & Fit Bumper Spacers

1. Ensure any wiring connected to the rear bumper is disconnected.
2. Carefully with 2 people. Remove the 2 bolts securing the bumper to the chassis rail on each side and remove the bumper from the vehicle.
3. Remove the brackets from the bumper, Fit the supplied 10mm bumper spacers between the brackets and the bumper. Fasten using the factory hardware. The brackets should now be spaced 20mm total further apart.



Step 2. Attach Towbar End Plates

1. Loosely secure both towbar end plates to the chassis.
 - a. Using 1x M12 Bolt, Flat and Shake Proof Washers into the captive nut the front of the vehicle in each chassis rail
 - b. Using 2 x M10 Bolt, Nut, Flat and Shake Proof Washer and the Dual Hole Top Plate through the mounting point on the bottom of each chassis rail.
2. Tighten the bolts to hold the end plates against the chassis rails. DO NOT tighten to torque spec.

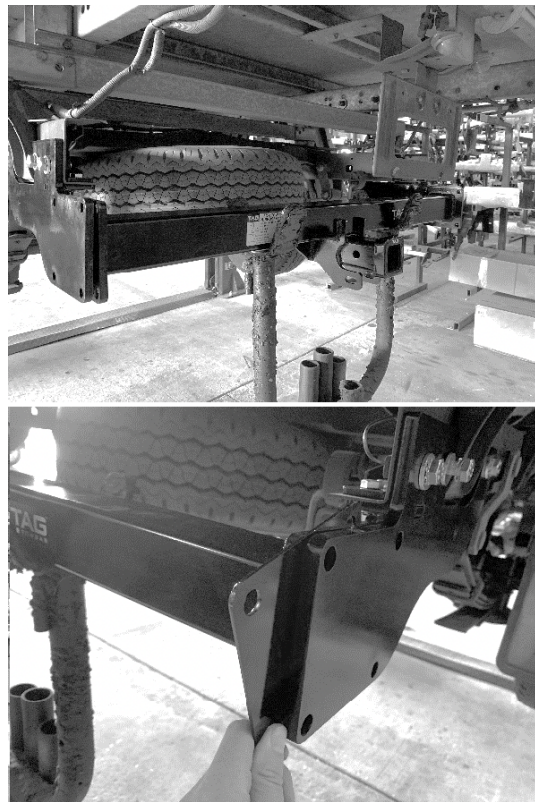


Towbar Fitting Instructions



Step 3. Determine if Spacers are required

1. Position the Towbar centre section between the two end plates.
 - a. If there is more than approx. 3mm clearance between the parts on each side, then spacers will be required.
 - b. If the clearance is less than this, spacers will not be required between the parts.



Step 4. Secure Towbar Centre Section

Using 4x M12x45 Bolts, Shake Proof Washers and Bolts, 8x M12 Flat Washers, and 1x Spacer (if required) per side. Loosely secure the towbar centre section between the end plates. Ensure centre section is right side up with the hitch receiver bellow the main cross-bar.



Step 5. Secure Towbar Centre Section

1. Carefully with 2 people. Re-fit the rear bumper by reversing steps in step 1:
 - a. Use 2x M12 bolts, flat and shake-proof washers, through the bumper bracket and towbar end plate into the rear most captive nuts in the side of each chassis rail
 - b. Before tightening bolts ensure the bumper is level
2. When all hardware is in place, tighten all bolts (including those into the chassis rails) to the torque specified.



Towbar Fitting Instructions



Step 6. Apply Door Sticker

- a) Apply Towbar info label to the inside of the driver's side door Jamb.



Torque table for bolt tightening

Diameter	Pitch	Grade	Torque	Unit
M8	1.25	8.8	29	Nm
M10	1.25	8.8	57	Nm
M10	1.50	8.8	44	Nm
M12	1.25	8.8	101	Nm
M12	1.50	8.8	97	Nm
M12	1.75	8.8	77	Nm
M14	2.00	8.8	122	Nm
M16	2.00	8.8	190	Nm

TAG Warranty Statement

SWD warrants your TAG Towbar for its full product life under the following conditions:

- You can show proof of purchase.
- The towbar has been correctly installed by a suitably qualified installer.
- The towbar has not been modified or abused in any way and has only been used for the purpose intended.
- The towbar was not fitted second hand to your vehicle.

The extent of this warranty includes materials and workmanship used in the manufacture of the towbar and is to the equivalent value of current, full replacement cost.

Nothing stated or implied in this warranty limits in any way, the statutory rights that you may have.

To make a claim visit the original installer in the first instance or, if you are unable to or are not satisfied with their help, then contact us direct by phone on 1300 669122 or visit www.swd.com.au