

Fitting Instructions



SKU

PRODUCT

T7H765

**TAG Heavy Duty Towbar to suit
Isuzu D-MAX (07/2020 - on),
Mazda BT-50 (08/2020 - on)**



Scan for latest
version of these
instructions

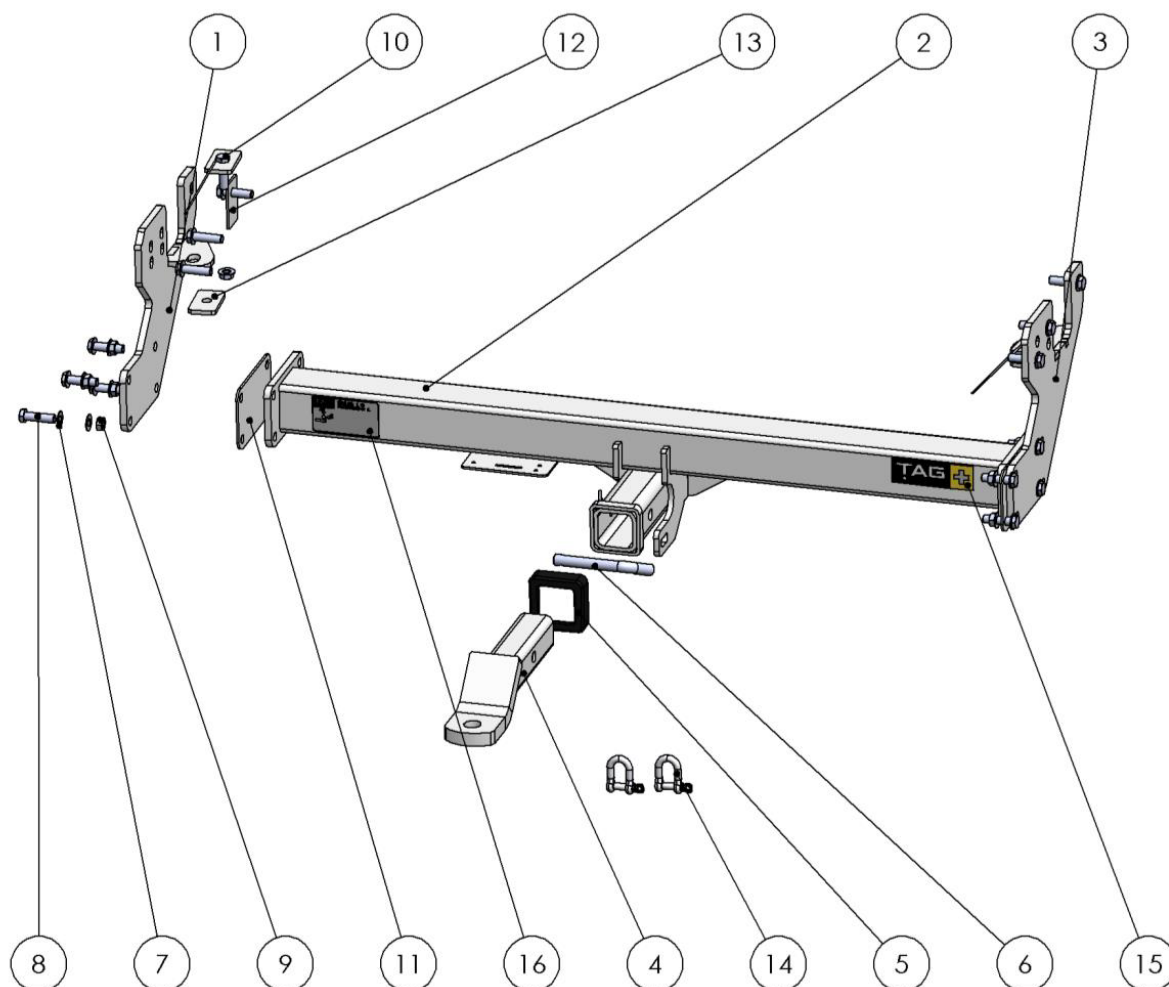
SPECIFICATIONS

- Towbar Class: Heavy Duty, Extended 3-Piece
- Towing Capacity: 3500kg

IN THIS GUIDE

- Fitment Instructions
- Torque Settings
- Warranty Info

Towbar Fitting Instructions



Scheme 1

Required: - Spanners, Sockets, Torque Wrench

ITEM NO.	DESCRIPTION	QTY.
1	End Plate Assembly PS	1
2	T7H765 Welded Assembly	1
3	End Plate Assembly DS	1
4	L4045 Ball Mount - Powder Coated	1
5	Cover Hitch Receiver Collar TAG	1
6	Class 4 Pin & Clip	1
7	M12 Flat Washer Zinc Clear	24
8	M12x1.25x45 Bolt	14

ITEM NO.	DESCRIPTION	QTY.
9	M12x1.25 Nut	10
10	M12x1.25x45 Bolt on Plate on 200mm Wire	2
11	End Plate spacer	2
12	3mm Spacer	2
13	Plate 40x70x6 14mm hole	2
14	TAG D-Shackle - 10mm, 1000kg, Galvanised	2
15	TAG + Foil Sticker 123x38	1
16	TAG Compliance plate	1

Step-By-Step Instructions

Warning:

- This product is for towing purposes only and must only be loaded as shown in your vehicle Owner's Manual.
- This towbar is NOT to be drilled, cut, welded, or modified in any way.
- Check behind chassis rail and body panels before drilling to ensure no hazards are present
- All load ratings shown are under the assumption your trailer has a functional braking system installed
- When installed in positions other than the one depicted in these instructions the Tow Ball Mount may interfere or obstruct certain features of your vehicle (tailgate opening, Chassis clearance, etc.)

General:

- Before fitting this towbar read fitting instructions and check installation hardware is correct.
- Check that the towbar is suitable for the vehicle and be wary of any changes to the vehicle design that may conflict with the fitting of this towbar.
- After drilling, blow any filings clear, remove any swarf and treat exposed metal with a rust inhibitor.
- If this vehicle requires a bumper cut out, please check to make sure that you measure twice and check twice before cutting any panels as some bumper profiles can change. If you are not sure, then please ask your towbar supplier

Towbar Fitting Instructions



Step 1. Fit Towbar

- a) **For cab chassis variants only:** Remove M12 bolts fastening bumper brackets to chassis. Bumper may need support to remain in place.
- b) Loosely secure side plate to outside of chassis with M12 bolts.



For cab chassis variants only: add 3mm packer plate between side plate and chassis at the forward most hole in front of the body mount.



- c) Insert bolt plate on wire into chassis and into rearmost hole. Loosely secure to the bottom of the chassis rail with 6mm washer plates & nuts.
- d) Loosely secure towbar crossmember to side plates with M12 bolts, washers & nuts.
- e) Fasten all bolts to torque spec.



Torque table for bolt tightening

Diameter	Pitch	Grade	Torque	Unit
M8	1.25	8.8	29	Nm
M10	1.25	8.8	57	Nm
M10	1.50	8.8	44	Nm
M12	1.25	8.8	101	Nm
M12	1.50	8.8	97	Nm
M12	1.75	8.8	77	Nm
M14	2.00	8.8	122	Nm
M16	2.00	8.8	190	Nm

TAG Warranty Statement

SWD warrants your TAG Towbar for its full product life under the following conditions:

- You can show proof of purchase.
- The towbar has been correctly installed by a suitably qualified installer.
- The towbar has not been modified or abused in any way and has only been used for the intended purpose.
- The towbar was not fitted second hand to your vehicle.

The extent of this warranty includes materials and workmanship used in the manufacture of the towbar and is to the equivalent value of current, full replacement cost.

Nothing stated or implied in this warranty limits in any way, the statutory rights that you may have.

To make a claim visit the original installer in the first instance or, if you are unable to or are not satisfied with their help, then contact us direct by phone on 1300 669122 or visit www.swd.com.au