

Fitting Instructions



SKU

PRODUCT

T7H721

TAG Heavy Duty Towbar to suit Holden Colorado (01/2012 - 07/2020), Isuzu D-MAX (06/2012 - 07/2020) - Extended Tray



Scan for latest version of these instructions

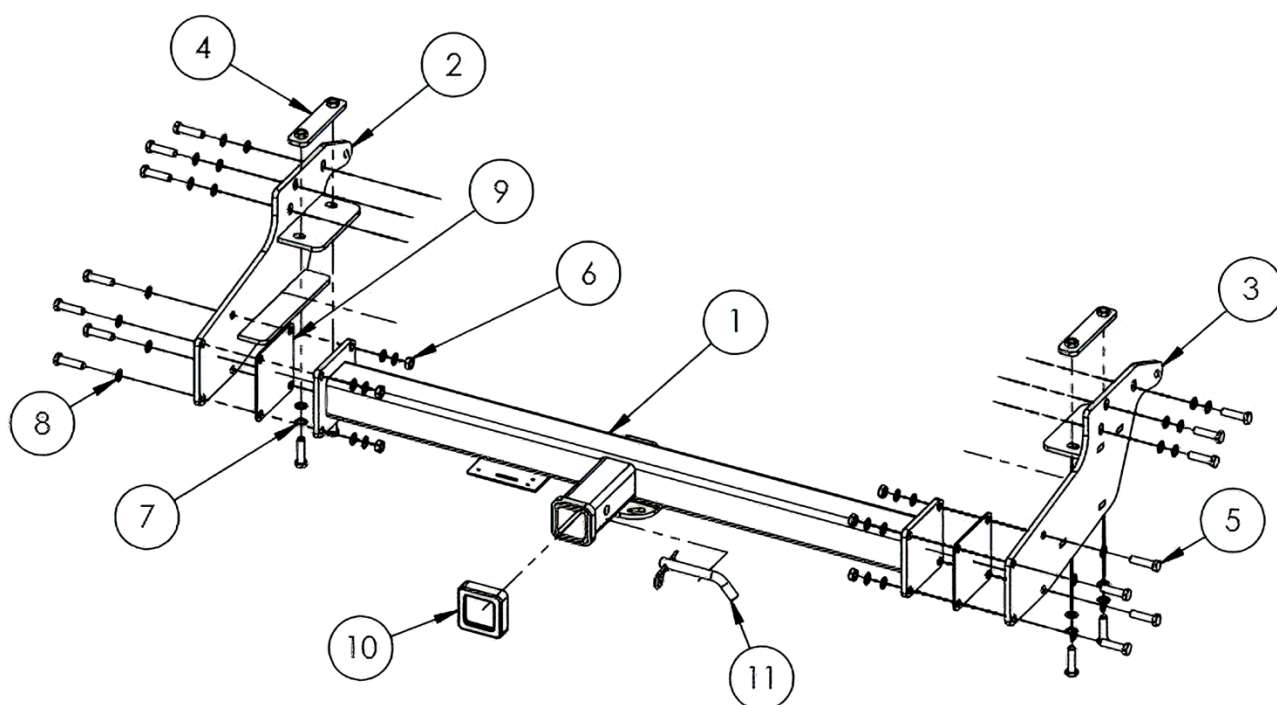
SPECIFICATIONS

- Towbar Class: Heavy Duty, Extended 3-Piece
- Towing Capacity: 3500kg

IN THIS GUIDE

- Fitment Instructions
- Torque Settings
- Warranty Info

Towbar Fitting Instructions



Required: Spanners/Sockets, Torque Wrench

Kit Contents					
Item No.	Description	Qty	Item No.	Description	Qty
1.	Towbar Centre Section	1	8.	M12 Flat Washers	26
2.	End Plate Subassembly PS	1	9.	Spacer 3mm	2
3.	End Plate Subassembly DS	1	10.	Hitch Collar Cover	1
4.	Chassis Plate with Nuts	2	11.	Pin and Clip	1
5.	M12x1.25x45 Bolts	18	-	D-Shackles	2
6.	M12x1.25 Nuts	8	-	Compliance Label	1
7.	M12 Shake Proof Washers	18	-	-	-

Step-By-Step Instructions

Warning:

- This product is for towing purposes only and must only be loaded as shown in your vehicle Owner's Manual.
- This towbar is NOT to be drilled, cut, welded, or modified in any way.
- Check behind chassis rail and body panels before drilling to ensure no hazards are present
- All load ratings shown are under the assumption your trailer has a functional braking system installed
- When installed in positions other than the one depicted in these instructions the Tow Ball Mount may interfere or obstruct certain features of your vehicle (tailgate opening, Chassis clearance, etc.)

General:

- Before fitting this towbar read fitting instructions and check installation hardware is correct.
- Check that the towbar is suitable for the vehicle and be wary of any changes to the vehicle design that may conflict with the fitting of this towbar.
- After drilling, blow any filings clear, remove any swarf and treat exposed metal with a rust inhibitor.
- If this vehicle requires a bumper cut out, please check to make sure that you measure twice and check twice before cutting any panels as some bumper profiles can change. If you are not sure, then please ask your towbar supplier

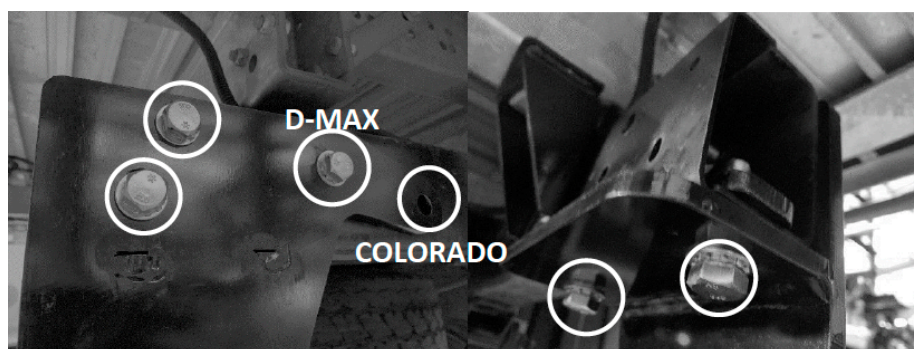
Towbar Fitting Instructions



Step 1. Fit Towbar End Plates

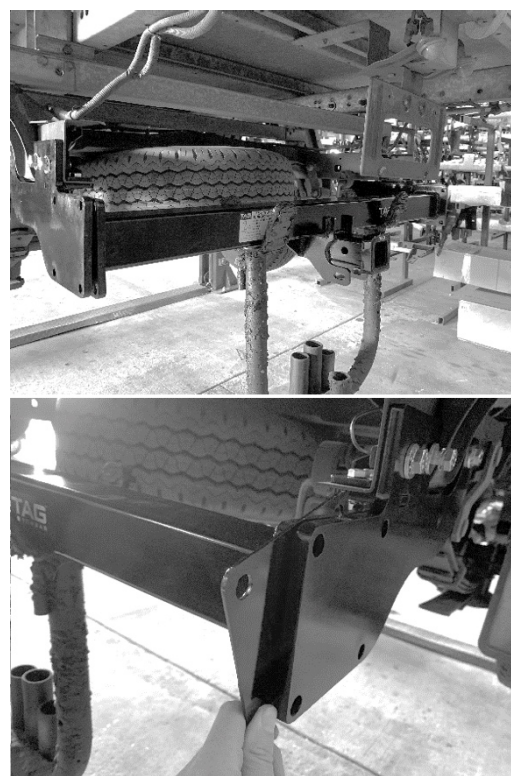
- a. Loosely secure both towbar end plates to the chassis.
 - Using 3x M12 Bolts, Flat and Shake Proof Washers into the captive nuts in the side of each chassis rail (note, D-Max and Colorado use different holes, see image above)
 - Using 2x M12 Bolts, Flat and Shake Proof Washers and the Chassis Plate with Nuts through the holes in the bottom of each chassis rail.

Tighten the bolts to hold the end plates against the chassis rails. **DO NOT** tighten to torque spec.



Step 2. Determine if Spacers are required

- a. Position the Towbar centre section between the two end plates.
 - If there is more than approx. 3mm clearance between the parts on each side, then spacers will be required.
 - If the clearance is less than this, spacers will not be required between the parts.



Towbar Fitting Instructions



Step 3. Secure Towbar Centre Section

- a. Using 4x M12x45 Bolts, Shake Proof Washers and Bolts, 8x M12 Flat Washers, and 1x Spacer (if required) per side. Loosely secure the towbar centre section between the end plates. Ensure centre section is right side up with the hitch receiver bellow the main cross-bar.
- b. When all hardware is in place, tighten **all** bolts (including those into the chassis rails) to the torque specified.

Torque Spec M12 = 100Nm



Step 4. Apply Door Sticker

- a. Apply Towbar info label to the inside of the driver's side door jamb.



Torque table for bolt tightening

TAG Warranty Statement

SWD warrants your TAG Towbar for its full product life under the following conditions:

- You can show proof of purchase.
- The towbar has been correctly installed by a suitably qualified installer.
- The towbar has not been modified or abused in any way and has only been used for the intended purpose.
- The towbar was not fitted second hand to your vehicle.

The extent of this warranty includes materials and workmanship used in the manufacture of the towbar and is to the equivalent value of current, full replacement cost.

Nothing stated or implied in this warranty limits in any way, the statutory rights that you may have.

To make a claim visit the original installer in the first instance or, if you are unable to or are not satisfied with their help, then contact us direct by phone on 1300 669122 or visit www.swd.com.au