

Fitting Instructions



SKU

PRODUCT

T7H720

**TAG Heavy Duty Towbar to suit
Isuzu D-MAX (06/2012 - 07/2020)**



Scan for latest
version of these
instructions

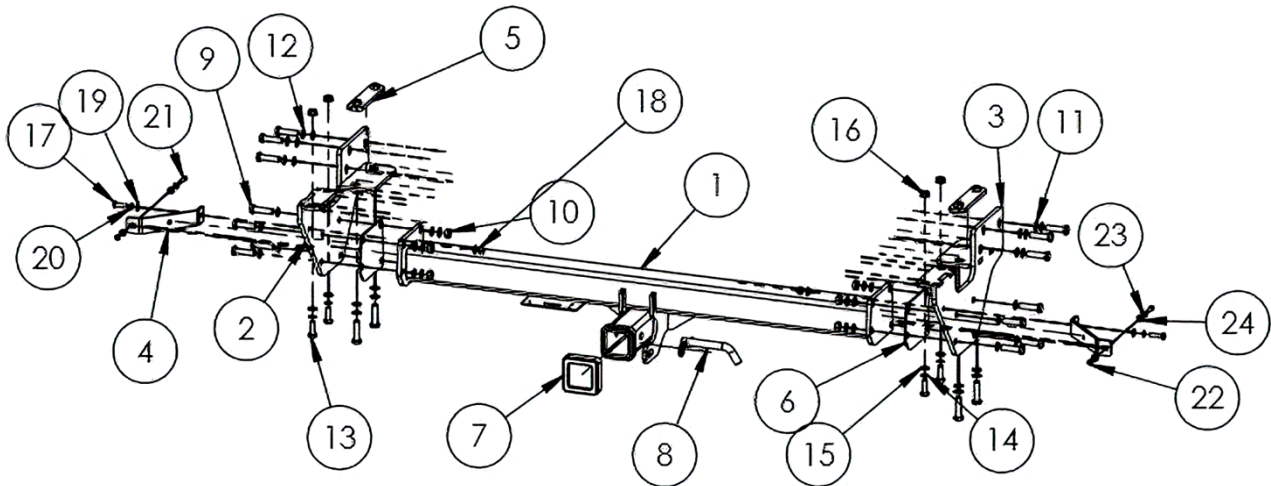
SPECIFICATIONS

- Towbar Class: Heavy Duty, Extended 3-Piece
- Towing Capacity: 3500kg

IN THIS GUIDE

- Fitment Instructions
- Torque Settings
- Warranty Info

Towbar Fitting Instructions



Required: Spanners/Sockets, Torque Wrench

Kit Contents					
Item No.	Description	Qty	Item No.	Description	Qty
1.	Towbar Centre Section	1	14.	M10 Shake Proof Washer	4
2.	End Plate Subassembly PS	1	15.	M10 Flat Washer	4
3.	End Plate Subassembly DS	1	16.	M10x1.5 Flange Nut	4
4.	Bumper Brace	2	17.	M8x1.25x30 Bolt	2
5.	Chassis Plate with Nuts	2	18.	M8x1.25 Nut	2
6.	Spacer 3mm	2	19.	M8 Flat Washer	4
7.	Hitch Collar Cover	1	20.	M8 Shake Proof Washer	2
8.	Class 4 Pin & Clip	1	21.	M6x1x25 Bolt	2
9.	M12x1.25x45 Bolt	18	22.	M6x1 Nut	2
10.	M12x1.25 Nut	8	23.	M6 Shake Proof Washer	2
11.	M12 Flat Washer	26	24.	M6 Flat Washer	4
12.	M12 Shake Proof Washer	18	-	D-Shackles	2
13.	M10x1.5x30 Bolt	4	-	Compliance Sticker	1

Step-By-Step Instructions

Warning:

- This product is for towing purposes only and must only be loaded as shown in your vehicle Owner's Manual.
- This towbar is NOT to be drilled, cut, welded, or modified in any way.
- Check behind chassis rail and body panels before drilling to ensure no hazards are present
- All load ratings shown are under the assumption your trailer has a functional braking system installed
- When installed in positions other than the one depicted in these instructions the Tow Ball Mount may interfere or obstruct certain features of your vehicle (tailgate opening, Chassis clearance, etc.)

General:

- Before fitting this towbar read fitting instructions and check installation hardware is correct.
- Check that the towbar is suitable for the vehicle and be wary of any changes to the vehicle design that may conflict with the fitting of this towbar.
- After drilling, blow any filings clear, remove any swarf and treat exposed metal with a rust inhibitor.
- If this vehicle requires a bumper cut out, please check to make sure that you measure twice and check twice before cutting any panels as some bumper profiles can change. If you are not sure, then please ask your towbar supplier

Towbar Fitting Instructions



Step 1. Remove Rear Bumper/Step and Detach Brackets

- Ensure any wiring connected to the rear bumper is disconnected.
- Carefully with 2 people. Remove the 3 bolts securing the bumper to the chassis rail on each side and remove the bumper from the vehicle. Discard of Bolts.
- Unclip rubber pad on top of the bumper/step. Remove 3x bolts holding the 2 brackets to the bumper on each side. Discard brackets and bolts. Carefully set bumper and rubber pad aside.



Step 2. Fit Towbar End Plates

- Loosely secure both towbar end plates to the chassis.
- Using 3x M12 Bolts, Flat and Shake Proof Washers into the captive nuts in the of the chassis rail on each side of the vehicle
- Using 2 x M12 Bolts, Flat and Shake Proof Washer and the Dual Hole Plate with Nuts through the mounting points on the bottom of each chassis rail.
- Tighten the bolts to hold the end plates against the chassis rails. **DO NOT tighten to torque spec.**

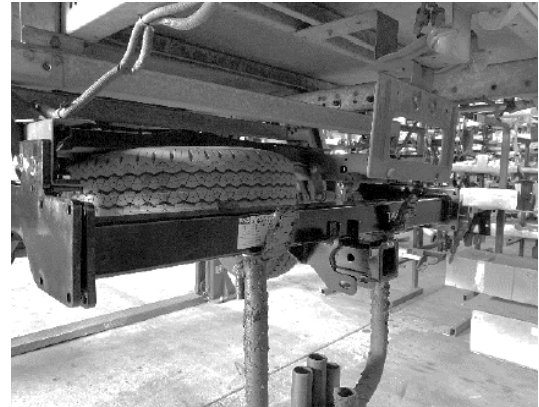


Towbar Fitting Instructions



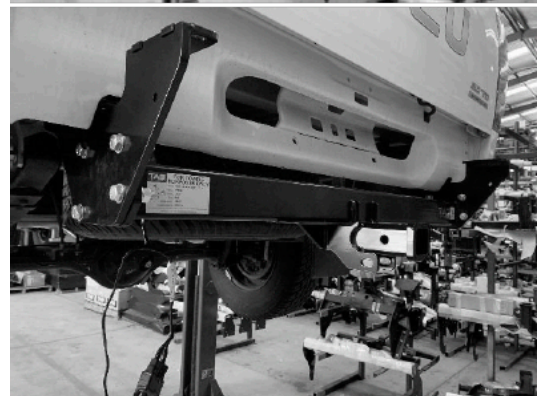
Step 3. Determine if Spacers are required

- a. Position the Towbar centre section between the two end plates.
 - If there is more than approx. 3mm clearance between the parts on each side, then spacers will be required.
 - If the clearance is less than this, spacers will not be required between the parts.



Step 4. Secure Towbar Centre Section

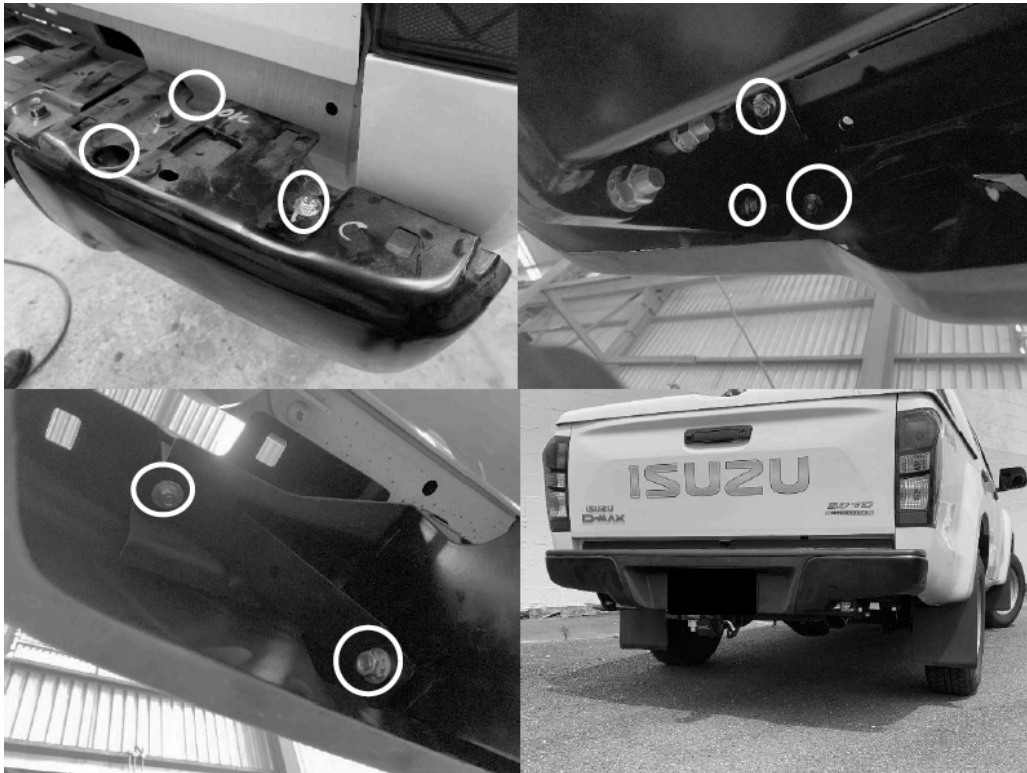
- a. Using 4x M12x45 Bolts, Shake Proof Washers and Bolts, 8x M12 Flat Washers, and 1x Spacer (if required) per side. Loosely secure the towbar centre section between the end plates. Ensure centre section is right side up with the hitch receiver below the main cross-bar.



Towbar Fitting Instructions



Step 5: Re-fit the Rear Bumper/Step and Torque Bolts



- a. Carefully with 2 people. Re-fit the rear bumper by positioning it onto the towbar mounting points:
 - Use 2x M10 bolts, flat and shake-proof washers, through the tab on top of the towbar end plate and secured with 2x M10 flange nuts on each side
 - Fit the bumper braces to the towbar endplate using M8 hardware and secure the other end to the bumper using M6 hardware
 - Before tightening bolts ensure the bumper is level and centred
- b. When all hardware is in place, tighten **all** bolts (including those into the chassis rails) to the torque specified.
- c. Reattach the rubber pad to the step.

Torque Spec

- M6 = 12.5Nm
- M8 = 30Nm
- M10 = 60Nm
- M12 = 100Nm

Towbar Fitting Instructions



Step 6. Apply Door Sticker

- a. Apply Towbar info label to the inside of the driver's side door jamb.



Torque table for bolt tightening

Diameter	Pitch	Grade	Torque	Unit
M8	1.25	8.8	29	Nm
M10	1.25	8.8	57	Nm
M10	1.50	8.8	44	Nm
M12	1.25	8.8	101	Nm
M12	1.50	8.8	97	Nm
M12	1.75	8.8	77	Nm
M14	2.00	8.8	122	Nm
M16	2.00	8.8	190	Nm
Imperial Bolt Torque Settings				
3/8"	UNC	8	44.75	Nm
1/2"	UNC	8	108.5	Nm

TAG Warranty Statement

SWD warrants your TAG Towbar for its full product life under the following conditions:

- You can show proof of purchase.
- The towbar has been correctly installed by a suitably qualified installer.
- The towbar has not been modified or abused in any way and has only been used for the purpose intended.
- The towbar was not fitted second hand to your vehicle.

The extent of this warranty includes materials and workmanship used in the manufacture of the towbar and is to the equivalent value of current, full replacement cost.

Nothing stated or implied in this warranty limits in any way, the statutory rights that you may have.

To make a claim visit the original installer in the first instance or, if you are unable to or are not satisfied with their help, then contact us direct by phone on 1300 669122 or visit www.swd.com.au