

# Fitting Instructions



SKU

PRODUCT

**T7F840**

## **TAG Heavy Duty Towbar to suit Next-Gen Ford Ranger (Extended Trayback 06/2022 - on)**



Scan for latest  
version of these  
instructions

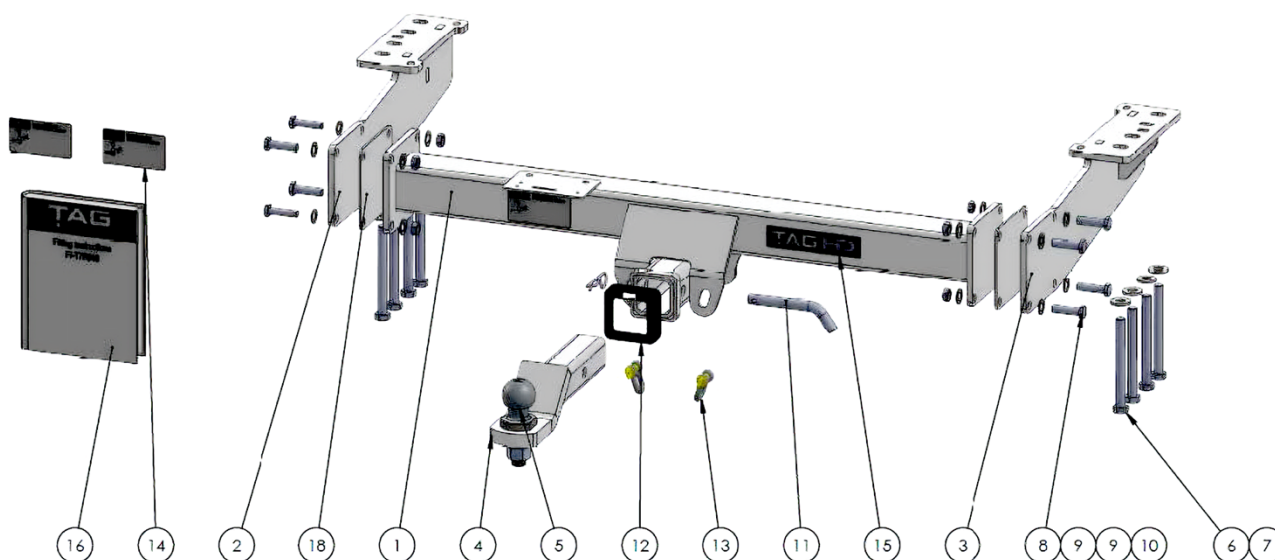
### SPECIFICATIONS

- Towbar Class: Heavy Duty, Extended 3-Piece
- Towing Capacity: 3500kg

### IN THIS GUIDE

- Fitment Instructions
- Torque Settings
- Warranty Info

# Towbar Fitting Instructions



Tools Required: Spanners, Sockets, Torque wrench

Item No.	Description	QTY.	Item No.	Description	QTY.
1	Weld Assembly for T7F840	1	10	M12x1.25 Nut	8
2	End Plate Assembly T7F840 PS	1	11	Class 4 Pin & Clip	1
3	End Plate Assembly T7F840 DS	1	12	Tag Hitch Cover	1
4	L4045 Powder Coated TBM	1	13	D-Shackle	2
5	50mm TAG Tow Ball	1	14	TAG Compliance Sticker	3
6	M14 x 2 x 140 Bolt	8	15	TAG HD Sticker 150 x 33mm	1
7	M14 Flat Washer	8	16	Fitting Instruction	1
8	M12 x 1.25 x 45 Bolt	8	17	End Plate Spacer	2
9	M12 Flat Washer	16			

## Step-By-Step Instructions

### Warning:

- This product is for towing purposes only and must only be loaded as shown in your vehicle Owner's Manual.
- This towbar is NOT to be drilled, cut, welded, or modified in any way.
- Check behind chassis rail and body panels before drilling to ensure no hazards are present
- All load ratings shown are under the assumption your trailer has a functional braking system installed
- When installed in positions other than the one depicted in these instructions the Tow Ball Mount may interfere or obstruct certain features of your vehicle (tailgate opening, Chassis clearance, etc.)

### General:

- Before fitting this towbar read fitting instructions and check installation hardware is correct.
- Check that the towbar is suitable for the vehicle and be wary of any changes to the vehicle design that may conflict with the fitting of this towbar. (Tray, Canopy, Suspension etc.)
- After drilling, blow any filings clear, remove any swarf and treat exposed metal with a rust inhibitor.
- The high tensile fasteners supplied with this product are an integral feature to achieving the specified rating, if replacement is required ensure that fasteners of the same grade (8.8) & quality are used. Contact an authorised TAG distributor or the TAG fitment centre - (07) 3208 3022 - if further information is required.

### Towbar Maintenance and Care:

It is recommended, when not in use, the Tow Ball Mount assembly and class 4 Pin and Clip is stored inside the car away from moisture to prevent standing water from forming rust. Inspect to ensure, on regular basis, fasteners are torqued to the specifications below and in good condition.

**Ensure that the fitting instructions are read and understood prior to fitment**

**Place these instructions in the vehicle's glovebox after installation is completed**

# Towbar Fitting Instructions



## Step 1. Move Taillight Cluster, Fit Towbar

- a. Remove and secure taillight cluster away from the towbar fitment area
- b. Loosely secure the end plates to the chassis by inserting 4x M14x 2.0x 140 bolts with flat washers.
- c. Repeat on opposite side.
- d. Lift main bar up to end plates with 3mm spacer plate between the main bar and end plates. Loosely secure with 4x M12x1.25x 40 Bolts with flat washers & nuts.
- e. Repeat on opposite side.
- f. Beginning with the M14 chassis bolts, tighten all bolts to the specific torque (pg. 2)
- g. Re-fit the bumper onto the towbar using original bolts.
- h. To complete the fitment, cable tie the bumper harness to the laser-cut loops of the end plate assemblies.

## Step 2. Fit Ball Mount and Apply Door Sticker

- a. Attach plastic hitch surround to receiver.
- b. Insert ball mount into hitch receiver and secure with the pull pin and R-clip.
- c. Apply one of the compliance labels to the pillar of the driver's door.
- d. Leave the remaining label & the fitting instructions in the vehicle handbook.



## Torque table for bolt tightening

Diameter	Pitch	Grade	Torque	Unit
M8	1.25	8.8	29	Nm
M10	1.25	8.8	57	Nm
M10	1.50	8.8	44	Nm
M12	1.25	8.8	101	Nm
M12	1.50	8.8	97	Nm
M12	1.75	8.8	77	Nm
M14	2.00	8.8	122	Nm
M16	2.00	8.8	190	Nm

## TAG Warranty Statement

SWD warrants your TAG Towbar for its full product life under the following conditions:

- You can show proof of purchase.
- The towbar has been correctly installed by a suitably qualified installer.
- The towbar has not been modified or abused in any way and has only been used for the intended purpose.
- The towbar was not fitted second hand to your vehicle.

The extent of this warranty includes materials and workmanship used in the manufacture of the towbar and is to the equivalent value of current, full replacement cost.

Nothing stated or implied in this warranty limits in any way, the statutory rights that you may have.

To make a claim visit the original installer in the first instance or, if you are unable to or are not satisfied with their help, then contact us direct by phone on 1300 669122 or visit [www.swd.com.au](http://www.swd.com.au)