

Fitting Instructions



SKU

PRODUCT

T7D723

**TAG Heavy Duty Towbar to suit
Nissan Navara (01/2015 -
12/2020)**



Scan for latest
version of these
instructions

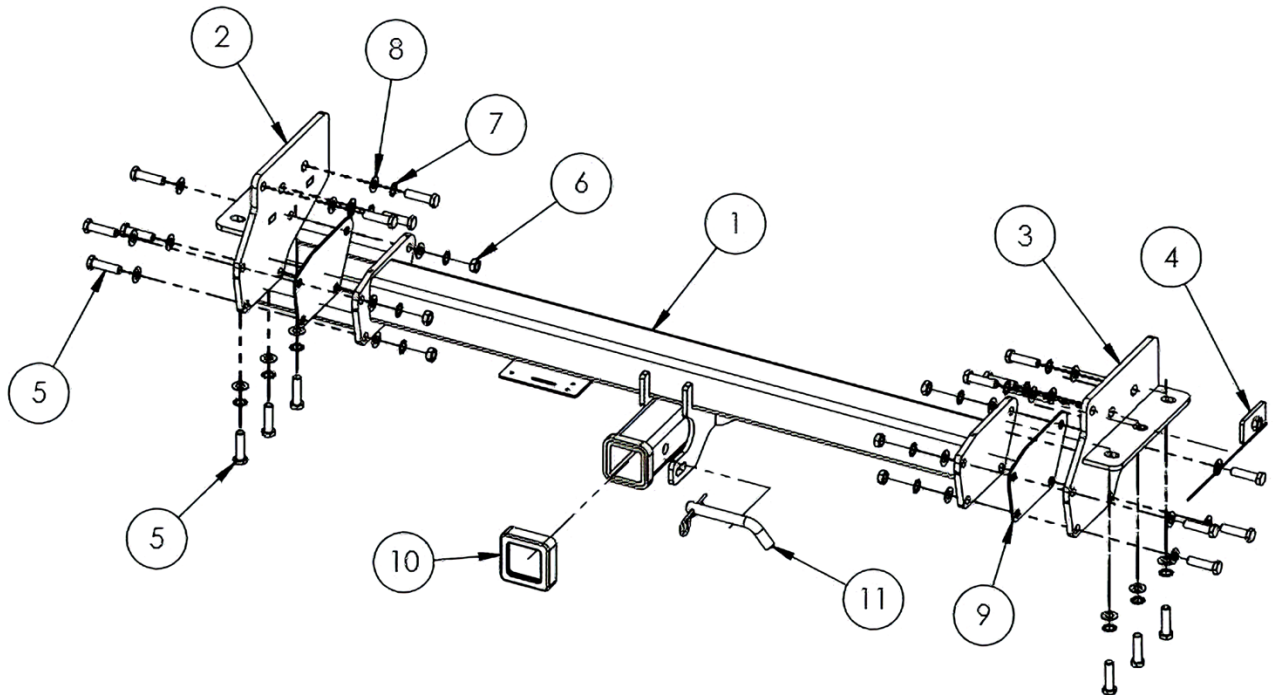
SPECIFICATIONS

- Towbar Class: Standard Duty
- Towing Capacity: 3500kg

IN THIS GUIDE

- Fitment Instructions
- Torque Settings
- Warranty Info

Towbar Fitting Instructions



Tools Required: Spanners, Sockets, Torque wrench

Kit Contents					
Item No.	Description	Qty	Item No.	Description	Qty
1.	Towbar Centre Section	1	8.	M12 Flat Washer	28
2.	End Plate Subassembly PS	1	9.	Spacer 3mm	2
3.	End Plate Subassembly PS	1	11.	Hitch Collar Cover	1
4.	Nut Plate on Wire	1	12.	Pin & Clip	1
5.	M12x1.25x45 Bolt	20	-	D-Shackle	2
6.	M12x1.25 Nut	8	-	Compliance Label	1
7.	M12 Shake Proof Washer	20	-	-	-

Step-By-Step Instructions

Warning:

- This product is for towing purposes only and must only be loaded as shown in your vehicle Owner's Manual.
- This towbar is NOT to be drilled, cut, welded, or modified in any way.
- Check behind chassis rail and body panels before drilling to ensure no hazards are present
- All load ratings shown are under the assumption your trailer has a functional braking system installed
- When installed in positions other than the one depicted in these instructions the Tow Ball Mount may interfere or obstruct certain features of your vehicle (tailgate opening, Chassis clearance, etc.)

General:

- Before fitting this towbar read fitting instructions and check installation hardware is correct.
- Check that the towbar is suitable for the vehicle and be wary of any changes to the vehicle design that may conflict with the fitting of this towbar. (Tray, Canopy, Suspension etc.)
- After drilling, blow any filings clear, remove any swarf and treat exposed metal with a rust inhibitor.
- The high tensile fasteners supplied with this product are an integral feature to achieving the specified rating, if replacement is required ensure that fasteners of the same grade (8.8) & quality are used. Contact an authorised TAG distributor or the TAG fitment centre - (07) 3208 3022 - if further information is required.

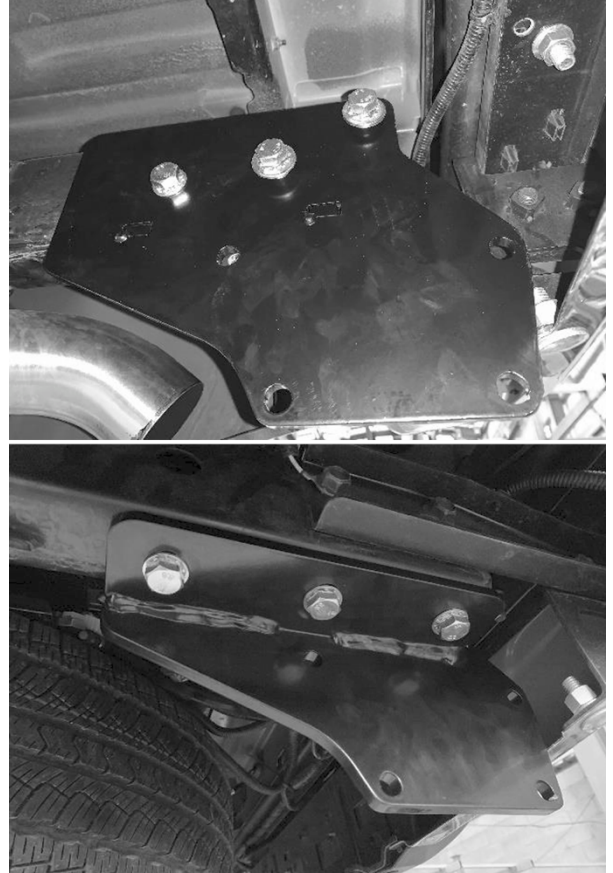
Towbar Maintenance and Care:

It is recommended, when not in use, the Tow Ball Mount assembly and class 4 Pin and Clip is stored inside the car away from moisture to prevent standing water from forming rust. Inspect to ensure, on regular basis, fasteners are torqued to the specifications below and in good condition.

**Ensure that the fitting instructions are read and understood prior to fitment
Place these instructions in the vehicle's glovebox after installation is completed**

Step 1. Fit Towbar End Plates

- a. Loosely secure both towbar end plates to the chassis.
 - Using 3x M12 Bolts, Flat and Shake Proof Washers into the captive nuts in the inside of each chassis rail, on the Drivers side the forwardmost fixing has no captive nut, Use the nut plate on wire here.
 - Using 3x M12 Bolts, Flat and Shake Proof Washers into the captive nuts in the bottom of each chassis rail.
- b. Tighten the bolts to hold the end plates against the chassis rails. **DO NOT tighten to torque spec.**



Step 2. Determine if Spacers are required

- a. Position the Towbar centre section between the two end plates.
 - If there is more than approx. 3mm clearance between the parts on each side, then spacers will be required.
 - If the clearance is less than this, spacers will not be required between the parts.



Towbar Fitting Instructions



Step 3. Secure Towbar Centre Section

- a. Using 4x M12x45 Bolts, Shake Proof Washers and Bolts, 8x M12 Flat Washers, and 1x Spacer (if required) per side. Loosely secure the towbar centre section between the end plates. Ensure centre section is right side up with the hitch receiver bellow the main cross-bar.
- b. When all hardware is in place, tighten **all** bolts (including those into the chassis rails) to the torque specified.

Torque Spec: M12 = 100NM



Step 4. Apply compliance Label

- a. Apply one of the compliance labels to the pillar of the driver's door. Leave the remaining label & the fitting instructions in the vehicle handbook.



Torque table for bolt tightening

Diameter	Pitch	Grade	Torque	Unit
M8	1.25	8.8	29	Nm
M10	1.25	8.8	57	Nm
M10	1.50	8.8	44	Nm
M12	1.25	8.8	101	Nm
M12	1.50	8.8	97	Nm
M12	1.75	8.8	77	Nm
M14	2.00	8.8	122	Nm
M16	2.00	8.8	190	Nm

TAG Warranty Statement

SWD warrants your TAG Towbar for its full product life under the following conditions:

- You can show proof of purchase.
- The towbar has been correctly installed by a suitably qualified installer.
- The towbar has not been modified or abused in any way and has only been used for the purpose intended.
- The towbar was not fitted second hand to your vehicle.

The extent of this warranty includes materials and workmanship used in the manufacture of the towbar and is to the equivalent value of current, full replacement cost.

Nothing stated or implied in this warranty limits in any way, the statutory rights that you may have.

To make a claim visit the original installer in the first instance or, if you are unable to or are not satisfied with their help, then contact us direct by phone on 1300 669122 or visit www.swd.com.au