

# Fitting Instructions



SKU

PRODUCT

**T4H597**

**TAG Heavy Duty Towbar  
to suit Isuzu D-MAX  
(06/2012 - 07/2020)**



Scan for latest  
version of these  
instructions

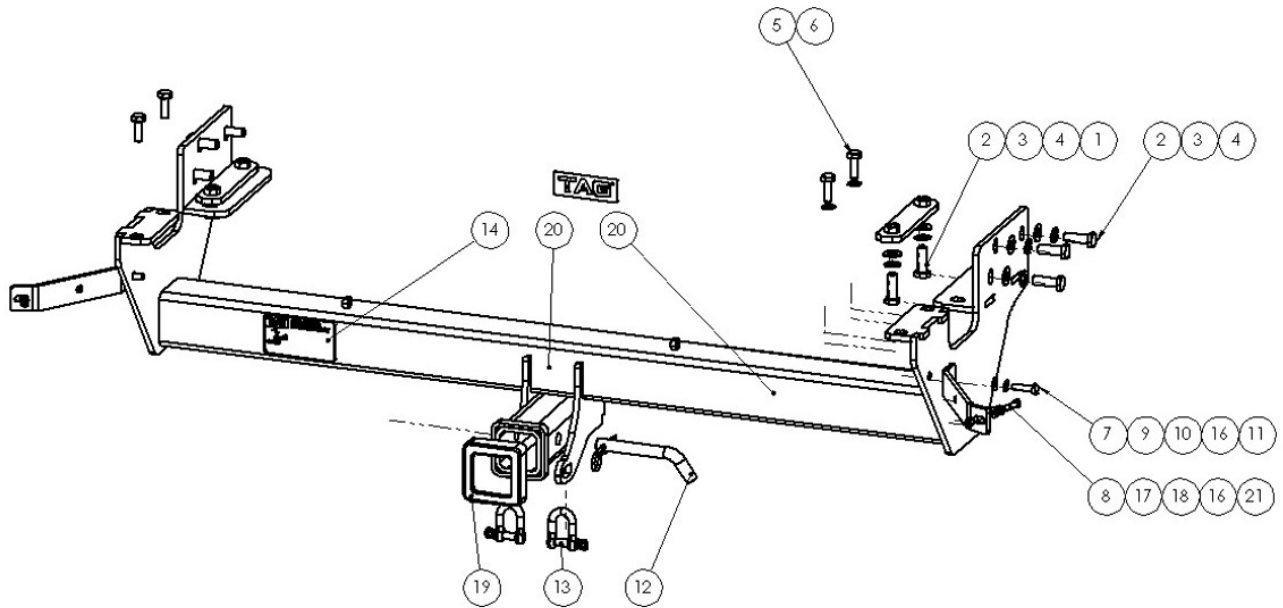
## SPECIFICATIONS

- Towbar Class: Heavy Duty
- Towing Capacity: 3500kg

## IN THIS GUIDE

- Fitment Instructions
- Torque Settings
- Warranty Info

# Towbar Fitting Instructions



Tools Required: Spanners, Screwdriver, Sockets, Torque wrench

ITEM NO.	DESCRIPTION	QTY.	ITEM NO.	DESCRIPTION	QTY.
1	Nut Plate	2	12	Class 4 Pin & Clip	1
2	M12x1.25x35 Bolt	10	13	TAG D-Shackle - 10mm 1000kg	2
3	M12 Shakeproof Washer	10	14	TAG Compliance plate	1
4	M12 Flat Washer	10	15	TAG STICKER - 100 X 40	1
5	M10X30X1.5 Bolt	4	16	Bumper Bracket	2
6	M10 Shakeproof Washer	4	17	M6 Shakeproof Washer	2
7	M8x1.25x30 Bolt	2	18	M6 Flat Washer	2
8	M6x1x25 Bolt	2	19	Cover Hitch Receiver Collar TAG	1
9	M8 Shakeproof Washer	2	20	Towbar Assembly	1
10	M8 Flat Washer	2	21	M6x1 Nut	2
11	M8x1.25 Nut	2			

## Step-By-Step Instructions

### Warning:

- This product is for towing purposes only and must only be loaded as shown in your vehicle Owner's Manual.
- This towbar is NOT to be drilled, cut, welded, or modified in any way.
- Check behind chassis rail and body panels before drilling to ensure no hazards are present
- All load ratings shown are under the assumption your trailer has a functional braking system installed
- When installed in positions other than the one depicted in these instructions the Tow Ball Mount may interfere or obstruct certain features of your vehicle (tailgate opening, Chassis clearance, etc.)

### General:

- Before fitting this towbar read fitting instructions and check installation hardware is correct.
- Check that the towbar is suitable for the vehicle and be wary of any changes to the vehicle design that may conflict with the fitting of this towbar. (Tray, Canopy, Suspension etc.)
- After drilling, blow any filings clear, remove any swarf and treat exposed metal with a rust inhibitor.
- The high tensile fasteners supplied with this product are an integral feature to achieving the specified rating, if replacement is required ensure that fasteners of the same grade (8.8) & quality are used. Contact an authorised TAG distributor or the TAG fitment centre - (07) 3208 3022 - if further information is required.

### Towbar Maintenance and Care:

It is recommended, when not in use, the Tow Ball Mount assembly and class 4 Pin and Clip is stored inside the car away from moisture to prevent standing water from forming rust. Inspect to ensure, on regular basis, fasteners are torqued to the specifications below and in good condition.

**Ensure that the fitting instructions are read and understood prior to fitment  
Place these instructions in the vehicle's glovebox after installation is completed**

# Towbar Fitting Instructions



## Step 1. Fit Towbar

- a. Disconnect number plate light harness connector.
- b. Remove 3x bolts from the step mounting brackets and remove step.
- c. Lift towbar up to outside of chassis and insert 3x M12x35 bolts into captive threads in vertical face. Repeat on opposite side.
- d. Drop M12x35 bolt with 40x40 square plate under head through rear most hole in chassis & towbar. Secure loosely with nuts & washers.
- e. Insert nut plates on wire into chassis and align with forward most vertical hole of towbar. Secure loosely with M12 bolts & flat washers.
- f. Remove plastic skin from step & remove step brackets.
- g. Attach bumper to towbar using original bolts and new supplied nuts. Attach side brackets with original bolt and bolts supplied. Replace top plastic trim and connect sensors, if fitted.
- h. Tighten all bolts to the specified torque on back page.

## Step 3. Apply Compliance Label

- a. Apply one of the compliance labels to the pillar of the driver's door. Leave the remaining label and the fitting instructions in the vehicle handbook



## Torque table for bolt tightening

Diameter	Pitch	Grade	Torque	Unit
M8	1.25	8.8	29	Nm
M10	1.25	8.8	57	Nm
M10	1.50	8.8	44	Nm
M12	1.25	8.8	101	Nm
M12	1.50	8.8	97	Nm
M12	1.75	8.8	77	Nm
M14	2.00	8.8	122	Nm
M16	2.00	8.8	190	Nm
<b>Imperial Bolt Torque Settings</b>				
3/8"	UNC	8	44.75	Nm
1/2"	UNC	8	108.5	Nm

## TAG Warranty Statement

SWD warrants your TAG Towbar for its full product life under the following conditions:

- You can show proof of purchase.
- The towbar has been correctly installed by a suitably qualified installer.
- The towbar has not been modified or abused in any way and has only been used for the purpose intended.
- The towbar was not fitted second hand to your vehicle.

The extent of this warranty includes materials and workmanship used in the manufacture of the towbar and is to the equivalent value of current, full replacement cost.

Nothing stated or implied in this warranty limits in any way, the statutory rights that you may have.

To make a claim visit the original installer in the first instance or, if you are unable to or are not satisfied with their help, then contact us direct by phone on 1300 669122 or visit [www.swd.com.au](http://www.swd.com.au)