

# Fitting Instructions



SKU

PRODUCT

**T4C644**

## **TAG Heavy Duty Towbar to suit Mitsubishi Pajero Sport (12/2015 - on)**



### **Example Image Only**

Towbars are designed specifically for each vehicle and may differ from the example above



Scan for latest version of these instructions

### **SPECIFICATIONS**

- Towbar Class: Standard Duty
- Towing Capacity: 3100kg

### **IN THIS GUIDE**

- Fitment Instructions
- Torque Settings
- Warranty Info

## Step-By-Step Instructions

### Warning:

- This product is for towing purposes only and must only be loaded as shown in your vehicle Owner's Manual.
- This towbar is NOT to be drilled, cut, welded, or modified in any way.
- Check behind chassis rail and body panels before drilling to ensure no hazards are present
- All load ratings shown are under the assumption your trailer has a functional braking system installed
- When installed in positions other than the one depicted in these instructions the Tow Ball Mount may interfere or obstruct certain features of your vehicle (tailgate opening, Chassis clearance, etc.)

### General:

- Before fitting this towbar read fitting instructions and check installation hardware is correct.
- Check that the towbar is suitable for the vehicle and be wary of any changes to the vehicle design that may conflict with the fitting of this towbar. (Tray, Canopy, Suspension etc.)
- After drilling, blow any filings clear, remove any swarf and treat exposed metal with a rust inhibitor.
- The high tensile fasteners supplied with this product are an integral feature to achieving the specified rating, if replacement is required ensure that fasteners of the same grade (8.8) & quality are used. Contact an authorised TAG distributor or the TAG fitment centre - (07) 3208 3022 - if further information is required.

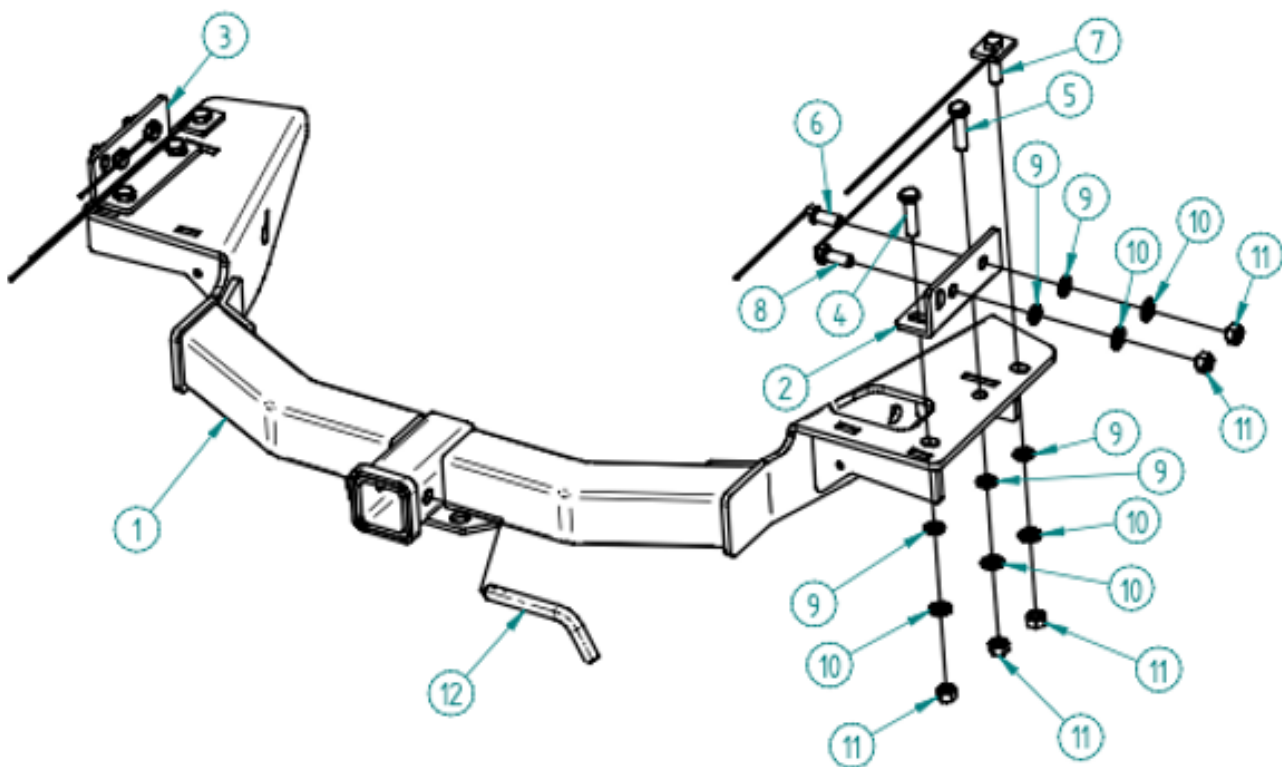
### Towbar Maintenance and Care:

It is recommended, when not in use, the Tow Ball Mount assembly and class 4 Pin and Clip is stored inside the car away from moisture to prevent standing water from forming rust. Inspect to ensure, on regular basis, fasteners are torqued to the specifications below and in good condition.

**Ensure that the fitting instructions are read and understood prior to fitment**

**Place these instructions in the vehicle's glovebox after installation is completed**

# Towbar Fitting Instructions



Tools Required: Spanners, Sockets, Screwdriver, Torque wrench

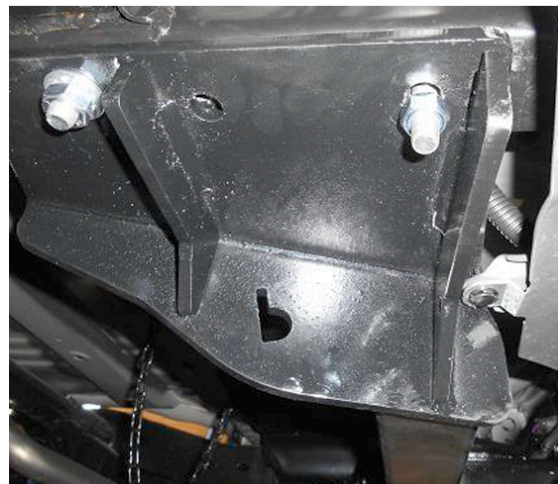
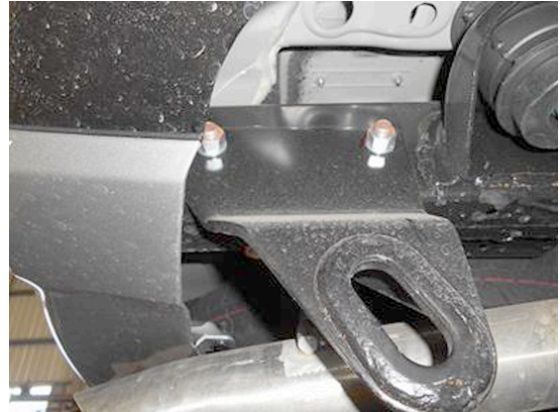
Kit Contents					
No.	Description	Qty	No.	Description	Qty
1.	Towbar	1	9.	M12 Flat Washer	10
2.	Support bracket P	1	10.	M12 Shakeproof Washer	10
3.	Support Bracket D	1	11.	M12 x 1.25 Pitch Nut	10
4.	M12 x 45 x 1.25 Pitch Bolt	2	12.	Class 4 Pin	1
5.	300mm wire and Bolt	2	13.	Class 4 Clip	1
6.	150mm wire and Bolt	2	14.	L4045S Ballmount	1
7.	Support Plate	2	15.	Compliance Plate	1
8.	M12 x 30 x 1.25 Pitch Bolt	2	16.	Door Sticker	1

# Towbar Fitting Instructions



## Step 1. Remove Bumper

- a. Remove 3x hex screws from each wheel arch
- b. Remove each plastic wheel arch trim up past the top of the bumper by gently releasing it from the guard to reveal Hex head screw. Remove screws.
- a. Remove and discard shipping hook & nut plate from the driver side chassis rail.
- b. Remove and discard towing hook & nut plate from the driver side chassis rail.
- c. Lift towbar up to the chassis rails and temporarily fasten with M12x 45 bolts.
- d. Using the two forward most holes in the towbar as a guide drill 13mm holes into the chassis.
- e. Remove bolts from step c.
- f. Insert bent plate into the chassis rail and align with two rear most holes (1x existing, 1 drilled).
- g. Secure rear most bolt again with M12x45 bolt, washers & nut. Insert bolt on wire into middle hole.
- h. Insert bolt & welded flat plate on wire inside chassis and forward most hole.
- i. Loosely secure with M12 washers & nuts.
- j. Insert M12x 30 bolts on wire into chassis and align with holes on outside of chassis.
- k. Loosely secure with M12 washers & nuts.
- l. Tighten all bolts to the torque specification on the table.
- m. Attach the plastic hitch cover.
- n. Insert the ball mount into the receiver and secure with pull pin & clip.



# Towbar Fitting Instructions



## Step 2. Apply Door Sticker

- a. Apply one of the compliance labels to the pillar of the driver's door. Leave the remaining label & the fitting instructions in the vehicle handbook.



## Torque table for bolt tightening

Diameter	Pitch	Grade	Torque	Unit
M8	1.25	8.8	29	Nm
M10	1.25	8.8	57	Nm
M10	1.50	8.8	44	Nm
M12	1.25	8.8	101	Nm
M12	1.50	8.8	97	Nm
M12	1.75	8.8	77	Nm
M14	2.00	8.8	122	Nm
M16	2.00	8.8	190	Nm

## TAG Warranty Statement

SWD warrants your TAG Towbar for its full product life under the following conditions:

- You can show proof of purchase.
- The towbar has been correctly installed by a suitably qualified installer.
- The towbar has not been modified or abused in any way and has only been used for the purpose intended.
- The towbar was not fitted second hand to your vehicle.

The extent of this warranty includes materials and workmanship used in the manufacture of the towbar and is to the equivalent value of current, full replacement cost.

Nothing stated or implied in this warranty limits in any way, the statutory rights that you may have.

To make a claim visit the original installer in the first instance or, if you are unable to or are not satisfied with their help, then contact us direct by phone on 1300 669122 or visit [www.swd.com.au](http://www.swd.com.au)