

# Fitting Instructions



SKU

PRODUCT

**T4C636**

**TAG Heavy Duty Towbar to suit Mitsubishi Triton (12/2018 - on)**



Scan for latest version of these instructions

## SPECIFICATIONS

- Towbar Class: Standard Duty
- Towing Capacity: 3100kg

## IN THIS GUIDE

- Fitment Instructions
- Torque Settings
- Warranty Info

# Towbar Fitting Instructions



## Step-By-Step Instructions

### Warning:

Safety First: Always use correct safety equipment.

This towbar is NOT to be drilled, cut, welded or modified in any way.

Check the surrounding area before drilling into chassis or body panels for fuel lines, wiring harnesses and other components that may be a hazard.

### General:

Before fitting this towbar read fitting instructions and check installation hardware is correct.

Check that the towbar is suitable for the vehicle and be wary of any changes to the vehicle design that may conflict with the fitting of this towbar.

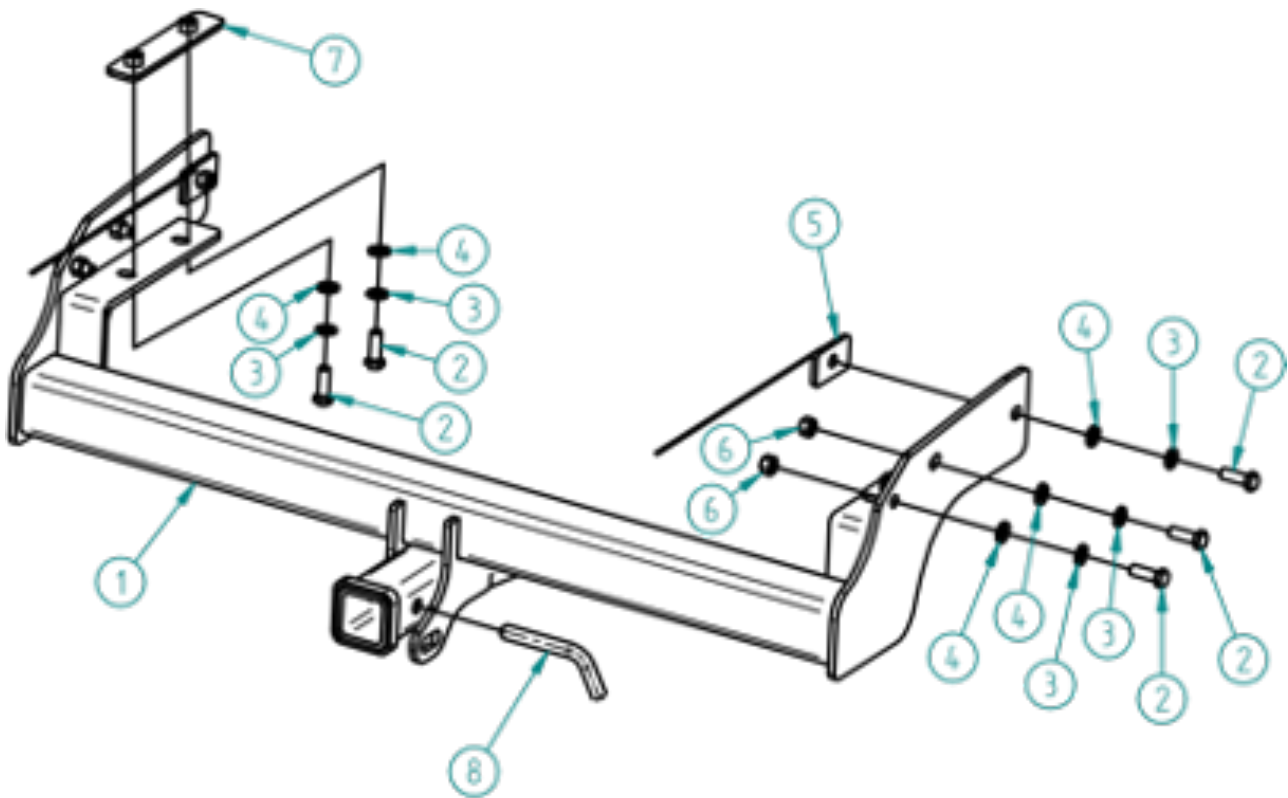
After drilling, blow any filings clear, remove any swarf and treat exposed metal with a rust inhibitor.

If this vehicle requires a bumper cut out, please check to make sure that you measure twice and check twice before cutting any panels as some bumper profiles can change.

If you are not sure then ask your towbar supplier.

Tighten all bolts as specified on the last page.

# Towbar Fitting Instructions



Scheme 1

NB! Discard supplied nuts for Item No. 8. In the Hardware KIT

T4C636 Hardware KIT	
Item	Quantity
1. Towbar	1
2. 1/2 x 1 1/2 UNC bolt	10
3. 1/2 shakeproof washer	10
4. 1/2 flat washer	10
5. Nut plate	2
6. 1/2 nut	4
7. Nut plate	2
8. Class 4 pin	1
9. Clip for Class 4 pin	1
10. L4045 ballmount	1
11. Compliance plate	1
12. Door sticker	1

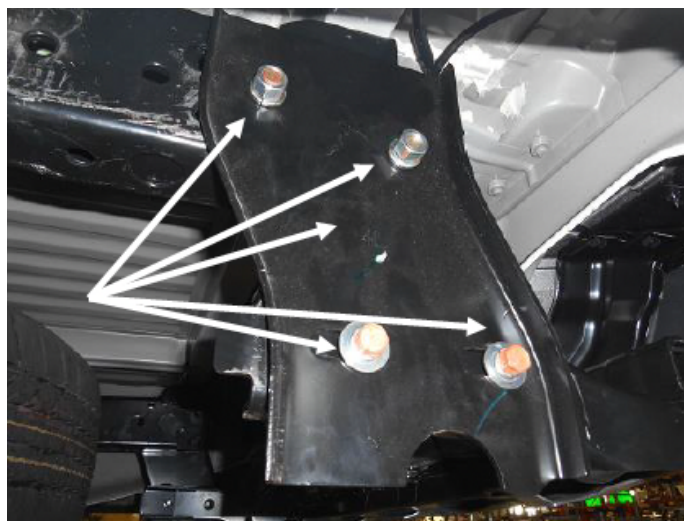
# Towbar Fitting Instructions



## 1.

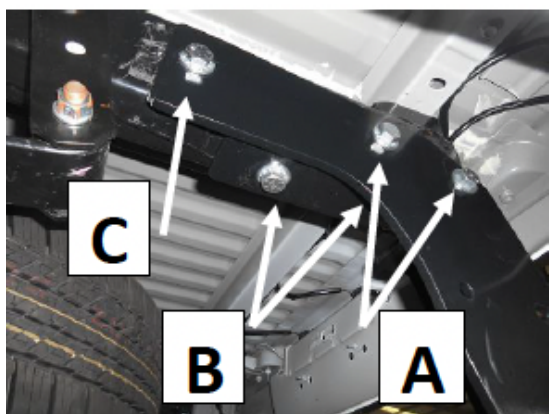
IF FITTED

1.1 Remove and discard step mount bracket and fasteners as shown on Pic.1

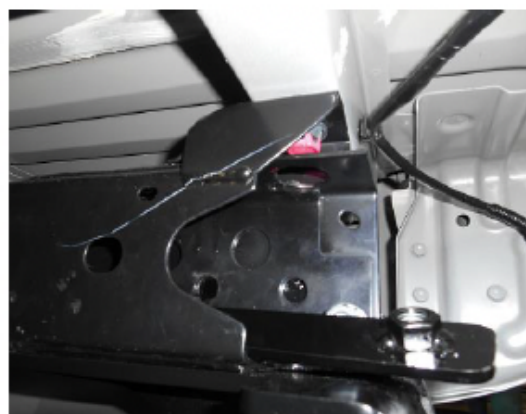


Pic.1

## 2.



Pic.2.1



Pic.2.2

2.1 Lift towbar between the chassis rails and insert fasteners **A** as shown on Pic. 2.1 and Scheme 1 and finger tighten fasteners

2.2 Slide Nut plate (Item 7. In Hardware Kit list) into the chassis rail as shown on Pic. 2.2. Insert fasteners **B** as shown on Pic. 2.1 and Scheme 1 and finger tighten fasteners

2.3 Slide Nut plate (Item 5. In Hardware Kit list) into the chassis rail as shown on Scheme 1. Insert fasteners **C** as shown on Pic. 2.1 and tighten all bolts as specified on the torque table

## 3.

3.1 Fit door sticker inside of the driver's door pillar.

3.2 Fit L4045 ball mount.

# Towbar Fitting Instructions



## Torque table for bolt tightening

<b>Metric GRADE 8.8</b>	<b>UNC GRADE 8</b>
M6 – 12.5 Nm	3/8 – 50 Nm
M8 – 30 Nm	1/2 – 125 Nm
M10 – 60 Nm	5/8 – 245 Nm
M12 – 103 Nm	
M14 – 167 Nm	
M16 – 270 Nm	

## TAG Warranty Statement

SWD warrants your TAG Towbar for its full product life under the following conditions:

- You can show proof of purchase.
- The towbar has been correctly installed by a suitably qualified installer.
- The towbar has not been modified or abused in any way and has only been used for the purpose intended.
- The towbar was not fitted second hand to your vehicle.

The extent of this warranty includes materials and workmanship used in the manufacture of the towbar and is to the equivalent value of current, full replacement cost.

Nothing stated or implied in this warranty limits in any way, the statutory rights that you may have.

To make a claim visit the original installer in the first instance or, if you are unable to or are not satisfied with their help, then contact us direct by phone on 1300 669122 or visit [www.swd.com.au](http://www.swd.com.au)