

MTS-TMB

Renogy Tilt Mount Bracket

Version 1.2



Important Safety Instructions

Please save these instructions.

This manual contains important safety, installation, and operating instructions for the Renogy Tilt Mount Brackets hardware system. The following symbols are used throughout the manual to indicate potentially dangerous conditions or important safety information.

WARNING

Indicates a potentially dangerous condition. Use extreme caution when performing this task.

CAUTION

Indicates a critical procedure for safe and proper operation of the system.

NOTE

Indicates a procedure or function that is important to the safe and proper operation of the system.

■ **General Safety Information**

- Read **all** of the instructions and cautions in the manual before beginning the installation.
- Chance to strip nuts and bolts exists.
- Do **NOT** substitute parts from other manufacturing sources, doing so may void the warranty and/or result in an unstable system.
- This system does **NOT** possess any compliance with residential structural codes and should not be used in place of a system that is, if required by local regulations

■ Installer Responsibilities

- Installation compliance with any applicable codes which are in force at the installation site
- Installation compliance and compatibility with all system components and the environment including but not limited to roofing, system components, etc.
- Verification that all project information is accurate.

WARNING

This equipment should be installed, adjusted, and serviced by qualified electrical maintenance personnel familiar with the construction and operation of the equipment and the hazards involved. Failure to observe this precaution may result in bodily injury. Protective gloves and safety glasses should be worn during installation.

Table of Contents

General Information	04
Identification of Parts	07
Installation	08
Dimensions.....	08
Compatibility	12

General Information

The Renogy Tilt Mount Bracket is designed with intent on mounting to your RV. It is suitable for most Renogy panels and can be mounted on any flat surface. This mount optimizes performance by allowing tilting when the RV is parked, and flat mounting when the RV is in motion. The angle adjustability is dependent on the panels themselves, with bigger panel sizes decreasing angle adjustability.

Key Features

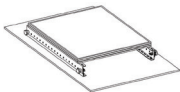
- High grade aluminum finish, corrosion free
- Multi-Angle Adjustability
- Designed for tilting when stationary and lays flat when in motion
- Suitable for most Renogy panels

Angle Adjustability

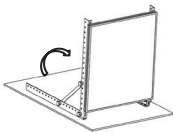
NOTE

The angles for the Renogy Tilt Mount bracket are based off a portrait panel installation. As the solar panel size grows, the angle freedom minimizes.

The following angles are a general framework based on bracket length.



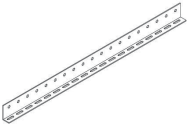
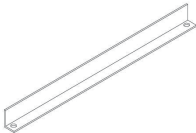


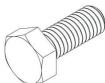
Minimum Angle°



Maximum Angle°

Minimum Angle°	Maximum Angle°	Degree Freedom
0	90	90

Identification of Parts

Image	Component	Qty
	<p>Fixed L-Bracket (A)</p>	<p>4</p>
	<p>Tilt L-Bracket (B)</p>	<p>2</p>
	<p>M8 Plastic Knob Screw (C)</p>	<p>6</p>
	<p>M8 Wing Nut (D)</p>	<p>6</p>
	<p>M6 x 16mm Hex Cap Bolt (E)</p>	<p>4</p>

	<p>M6 Split Lock Washer (F)</p>	<p>4</p>
	<p>M6 Flat Washer (G)</p>	<p>8</p>
	<p>M6 Hexagonal Nut (H)</p>	<p>4</p>
	<p>M8 Washer (I)</p>	<p>6</p>
	<p>M8 Spring Washer (J)</p>	<p>6</p>
	<p>M6x40mm Self-Drilling Cap Screw (K)</p>	<p>6</p>
	<p>Plastic Retaining Ring (L)</p>	<p>6</p>

Installation

WARNING

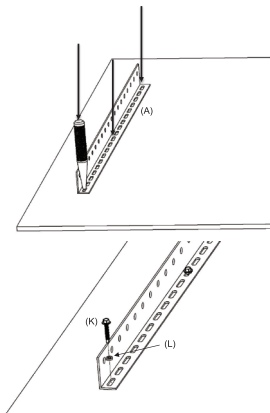
The equipment should be installed, adjusted, and serviced by a qualified electrical maintenance personnel familiar with the construction and operation of the equipment and hazards involved. Failure to observe this precaution may result in bodily injury. Protective gloves and safety glasses should be worn during installation.

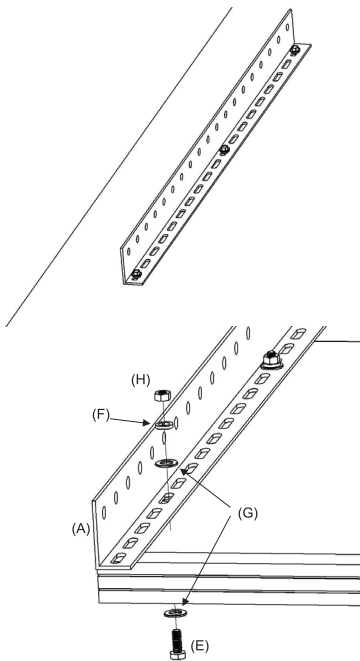
CAUTION

The stripping of the threads on the nuts and bolts is possible.

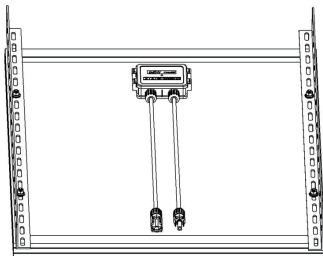
NOTE

There are no bolts included to secure the bracket to your RV surface.



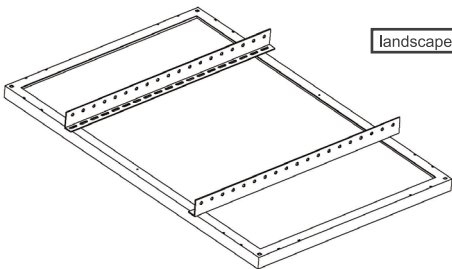


Portrait



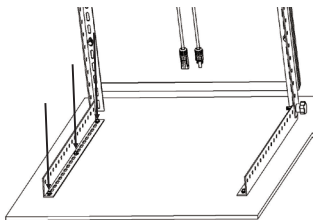
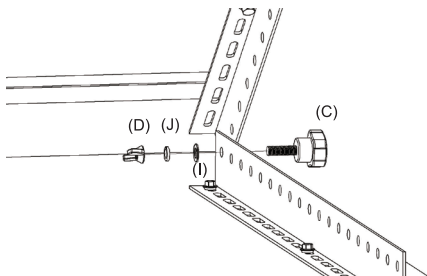
↓ OR

landscape



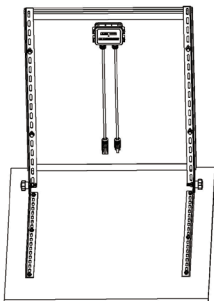
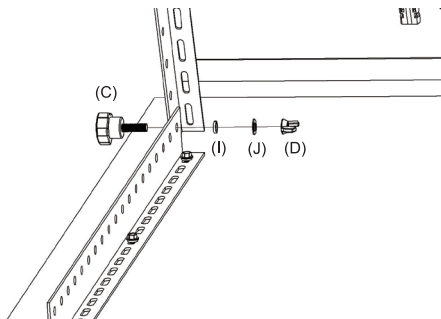
NOTE

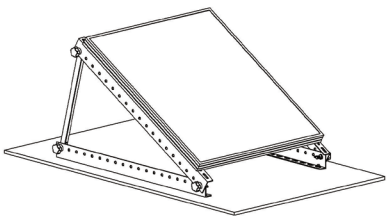
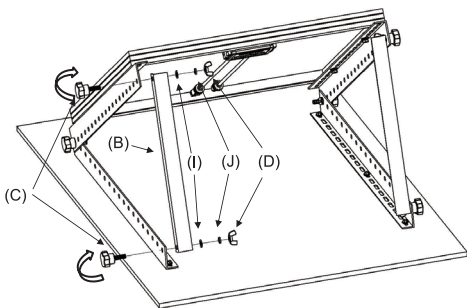
The RNG-100P should be installed using landscape.



CAUTION

For your safety the following steps require at least two people to install.



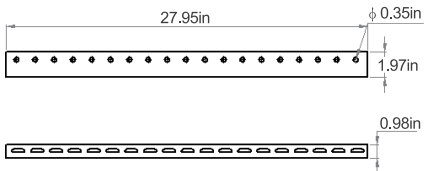


Dimensions

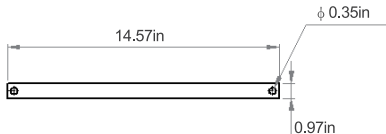
NOTE

The following drawings utilize inches as their dimension units.

Fixed Bracket



Tilt Bracket



Compatibility

RENOGY Solar Module	Compatibility*
RNG-10D	COMPATIBLE
RNG-10D-SS	COMPATIBLE
RNG-20D	COMPATIBLE
RNG-30D	COMPATIBLE
RNG-30D-SS	COMPATIBLE
RNG-50D	COMPATIBLE
RNG-50D-SS	COMPATIBLE
RNG-80D-SS	COMPATIBLE
RNG-100D	COMPATIBLE
RNG-100D-S	COMPATIBLE
RNG-100D-SS	COMPATIBLE
RNG-100D-SSP	COMPATIBLE
RNG-100MB	COMPATIBLE
RNG-100D-R	COMPATIBLE
RNG-160D-SS	INCOMPATIBLE
RNG-300D	INCOMPATIBLE
RNG-50P	COMPATIBLE
RNG-100P	COMPATIBLE
RNG-160P	INCOMPATIBLE
RNG-270P	INCOMPATIBLE
RNG-320P	INCOMPATIBLE

US |  2775 E Philadelphia St, Ontario, CA 91761, USA
 909-287-7111
 www.renogy.com
 customerservice@renogy.com

CN |  苏州高新区科技城培源路1号5号楼-4
 400-6636-695
 <https://www.renogy.cn>
 sales@renogy.cn

JP |  <https://www.renogy.jp>
 onestorejp@renogy.com

CA |  <https://ca.renogy.com>
 onestoreca@renogy.com

AU |  <https://au.renogy.com>
 onestoreau@renogy.com

UK |  <https://uk.renogy.com>
 onestoreuk@renogy.com

DE |  <https://de.renogy.com>
 onestorede@renogy.com

FR |  <https://fr.renogy.com>
 onestorefr@renogy.com