



# SARACEN

## ULTRA

CARAVAN & TRAILER HITCH LOCK



PLEASE READ THIS  
MANUAL BEFORE  
FIRST USE.

TIME INVESTED IN  
CORRECT FITMENT  
IS REPAID IN THE  
LEVEL OF SECURITY  
THAT IS ACHIEVED.

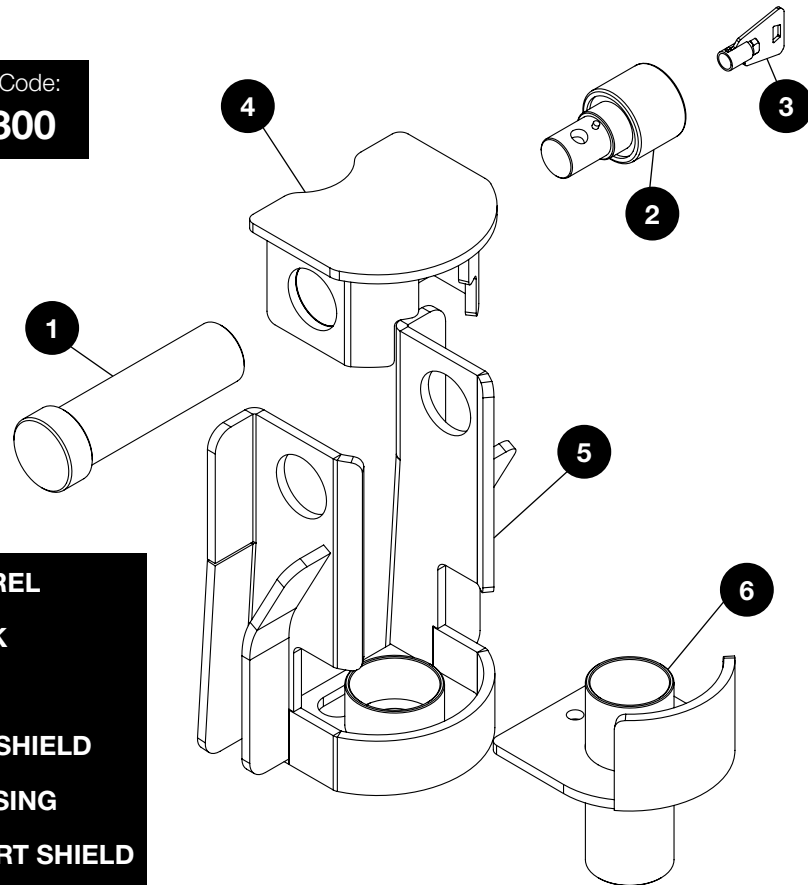
## USER MANUAL

Product Code: **SHL300**



## SAFACEN ULTRA HITCH LOCK COMPONENT IDENTIFICATION

Product Code:  
**SHL300**



1. BARREL
2. LOCK
3. KEY
4. TOP SHIELD
5. HOUSING
6. INSERT SHIELD

## SAFACEN ULTRA HITCH LOCK MAINTENANCE

On a regular basis apply either a clear silicone lubricant or petroleum jelly to the Male Lock to aid lubrication and functionality of the lock. Failure to do this will result in the lock ceasing.

 **purpleline**<sup>®</sup>  
design...innovate...improve

264A Governor Road,  
Braeside VIC 3195

e. [enquiries@purpleline.com.au](mailto:enquiries@purpleline.com.au)

w. [www.purpleline.com.au](http://www.purpleline.com.au)

t. (03) 9588 2959

## SAFACEN ULTRA HITCH LOCK USAGE

The SAFACEN ULTRA Hitch Lock is made from specially hardened high strength steel which is resistant to cutting and drilling.

For added security the SAFACEN ULTRA Hitch Lock incorporates a high-security, 7-lever barrel lock, resistant to picking, drilling and gas freezing.

The SAFACEN ULTRA Hitch Lock is suitable for most caravans, camper trailers, boat trailers and general purpose trailers fitted with a standard 50mm ball hitch and is designed to secure the vehicle by preventing it from being towed away.

## SAFACEN ULTRA HITCH LOCK USER INSTRUCTIONS

The SAFACEN ULTRA Hitch Lock is designed to only be fitted when the trailer or caravan is stationary. It can be used when the trailer or caravan is either hitched or unhitched.

### 1. UN-LOCK AND DISMANTLE:

- a. Insert the key into the lock
- b. Push the key in and turn it approximately 90° clockwise to unlock
- c. Remove the lock and barrel from the housing
- d. Remove the top shield.

### 2. FITMENT WHEN HITCHED:

- a. Remove the insert shield from the housing
- b. Place the housing under the tow bar of the vehicle
- c. Fit the top shield to the housing above the top of the coupling hitch on the trailer or caravan, ensuring that the holes are aligned.
- d. Insert the barrel into the housing, ensuring that it passes all the way through both the housing and the top shield.
- e. Insert the lock into the barrel, turn the key to lock it and remove the key
- f. Place the rubber protection cover over the lock.

### 3. FITMENT WHEN UNHITCHED:

- a. Ensure the insert shield is inserted into the housing and is correctly aligned, facing forwards.
- b. Place the housing (with insert shield in place) under the coupling hitch fitted to the A-Frame of the trailer or caravan, ensuring that the tubular section on the insert shield locates up inside the coupling body.
- c. Fit the top shield to the housing above the top of the coupling hitch on the trailer or caravan, ensuring that the holes are aligned.
- d. Insert the barrel into the housing, ensuring that it passes all the way through both the housing and the top shield.
- e. Insert the lock into the barrel, turn the key to lock it and remove the key.
- f. Place the rubber protection cover over the lock.

## **SAFACEN ULTRA HITCH LOCK - DISCLAIMER**

When the **SAFACEN ULTRA** Hitch Lock is fitted correctly it is an effective deterrent to prevent the theft of a vehicle. However, as with all products designed to prevent theft they will not prevent a determined or professional thief from stealing a vehicle.

Accordingly, Purple Line Pty Ltd will not accept any liability for any loss or damage which may result from an attempted or realised theft. Additionally, no liability will be accepted from the improper fitment, use or misuse, maintenance and unauthorised modification or repair of the **SAFACEN ULTRA** Hitch Lock and any consequential loss that may result.

Photographs used are for illustration purposes only and may differ for the product. Purple Line Pty Ltd reserves the right to alter product specifications without prior notice.

 **IMPORTANT! DO NOT TOW WHILST THE HITCH LOCK IS ATTACHED** 

## **SAFACEN ULTRA HITCH LOCK - WARRANTY POLICY**

The **SAFACEN ULTRA** Hitch Lock is guaranteed for 12 months from date of purchase and subject to Australian Consumer Law.

Please retain your proof of purchase as this will be required for any warranty claim.

Purple Line warrants the **SAFACEN ULTRA** Hitch Lock is supplied free of defects.

- Refund: The Goods will be refunded if not fit for purpose.
- Replaced: The Goods will be replaced if defects were apparent upon purchase or a major fault occurs, which cannot be repaired.
- Repair: The Goods will be repaired in the event of failure. Goods presented for repair may be repaired or replaced by refurbished goods or parts of a similar type.
- Contacts: To make a warranty claim first contact the retailer the Goods were purchased from and if purchased online Purple Line.  
[www.purpleline.com.au/contact.php](http://www.purpleline.com.au/contact.php)

To activate your warranty go to:  
[www.purpleline.com.au/product-registrations.php](http://www.purpleline.com.au/product-registrations.php)