



DROP DOWN SINGLE AND DOUBLE MANUAL STEPS

INSTALLATION MANUAL



1300 663 868 | enquiries@aussietraveller.com.au | aussietraveller.com.au

BRISBANE SHOWROOM: 11-15 Oasis Court, Clontarf QLD 4019 | MELBOURNE SHOWROOM: 235 Barry Road, Campbellfield VIC 3061





Read this installation instruction **thoroughly**.
Incorrect installation or operation may void any warranty.
Incorrect use or operation may cause serious injury.

PRODUCT INTRODUCTION

The Aussie Traveller range of folding manual single and double drop down steps are designed to used as high quality equipment which can help passengers get into a full range of Recreational Vehicles, including Caravans, Campers, Motorhomes and Emergency Vehicles.

Ask Aussie Traveller about the full range of RV steps available.

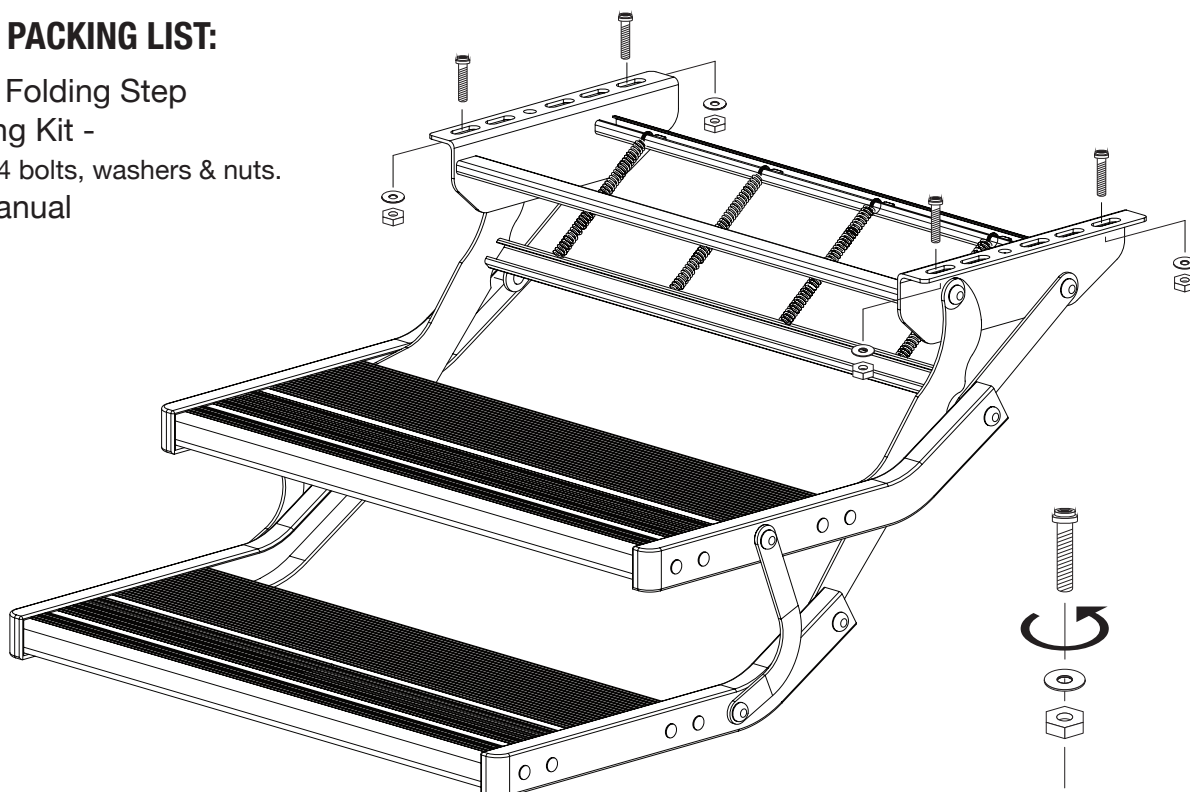
DESCRIPTION:

- Manually operated drop down step function providing safe access to recreational vehicles by reducing entrance step heights.
- Easy to install.
- Simple pull out and push in operation.

MODEL	DRIVE MODE	PLATFORM SIZE (L×W)	WEIGHT
Single Step	Manual	510 × 240mm	5kg
Double Step	Manual	510www × 200mm	7.5kg

STANDARD PACKING LIST:

- 1 × Manual Folding Step
- 1 × Mounting Kit -
includes 4 bolts, washers & nuts.
- 1 × User Manual



1300 663 868 | enquiries@aussietraveller.com.au | aussietraveller.com.au

BRISBANE SHOWROOM: 11-15 Oasis Court, Clontarf QLD 4019 | MELBOURNE SHOWROOM: 235 Barry Road, Campbellfield VIC 3061

INSTALLATION

REQUIREMENTS:

Please refer to ADR58 / EN 1645-1 (caravans) requirements, for correct installation of an RV Manual or Electric step.

INSTALLATION OF THE AUSSIE TRAVELLER DROP DOWN STEP:

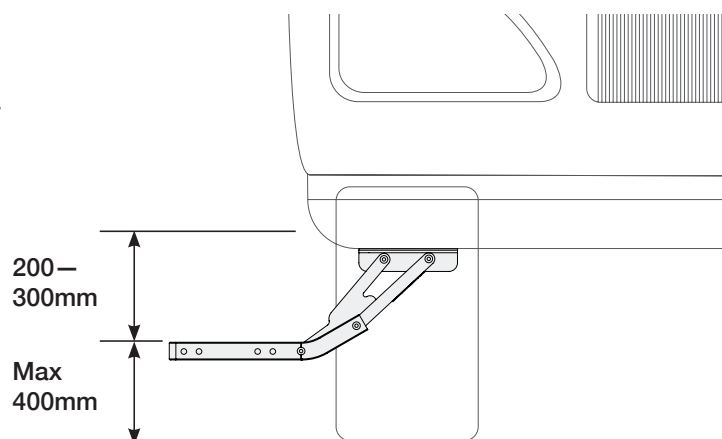
It is recommended that the installation instructions are followed. Depending on the vehicle type, the installation requirements may vary. Various mounting attachments / installations are listed below:

- Right through the vehicle bottom/footwell.
- In rails incorporated in the chassis.
- In a special construction welded or bolted to the chassis.

NOTE: Depending on the specific installation, position of the steps and specific installation process may change.

1. Prior to commencing the installation of the step, ensure that there are no obstacles at the inside (for example electric cables, gas pipes and so on) of the mounting plates or within a close vicinity.
2. Drill four 9mm holes according to the positions shown in the dimensions drawing. On the mounting brackets on both sides, position the step evenly so the step platform is perfectly level (horizontally) and is positioned evenly on the rails so the step will 'pull out' evenly (no rotation left or right). When retracted, the step will be approx. 42mm outside the frame. Install bolts, washers and nuts as shown and tighten. **DO NOT** overtighten nuts.
3. Ensure that prior to and at the conclusion of the installation, there is no hazards that could potentially injure or harm in any way. Ensure there are no clamping dangers (hands, fingers, feet, toes etc.) when the step is extended or retracted. Never use the step in a way that the product is not intended.
4. Never attempt to open or close the step while it is in use.
5. Install the Aussie Traveller Step so that it can be dismantled easily.

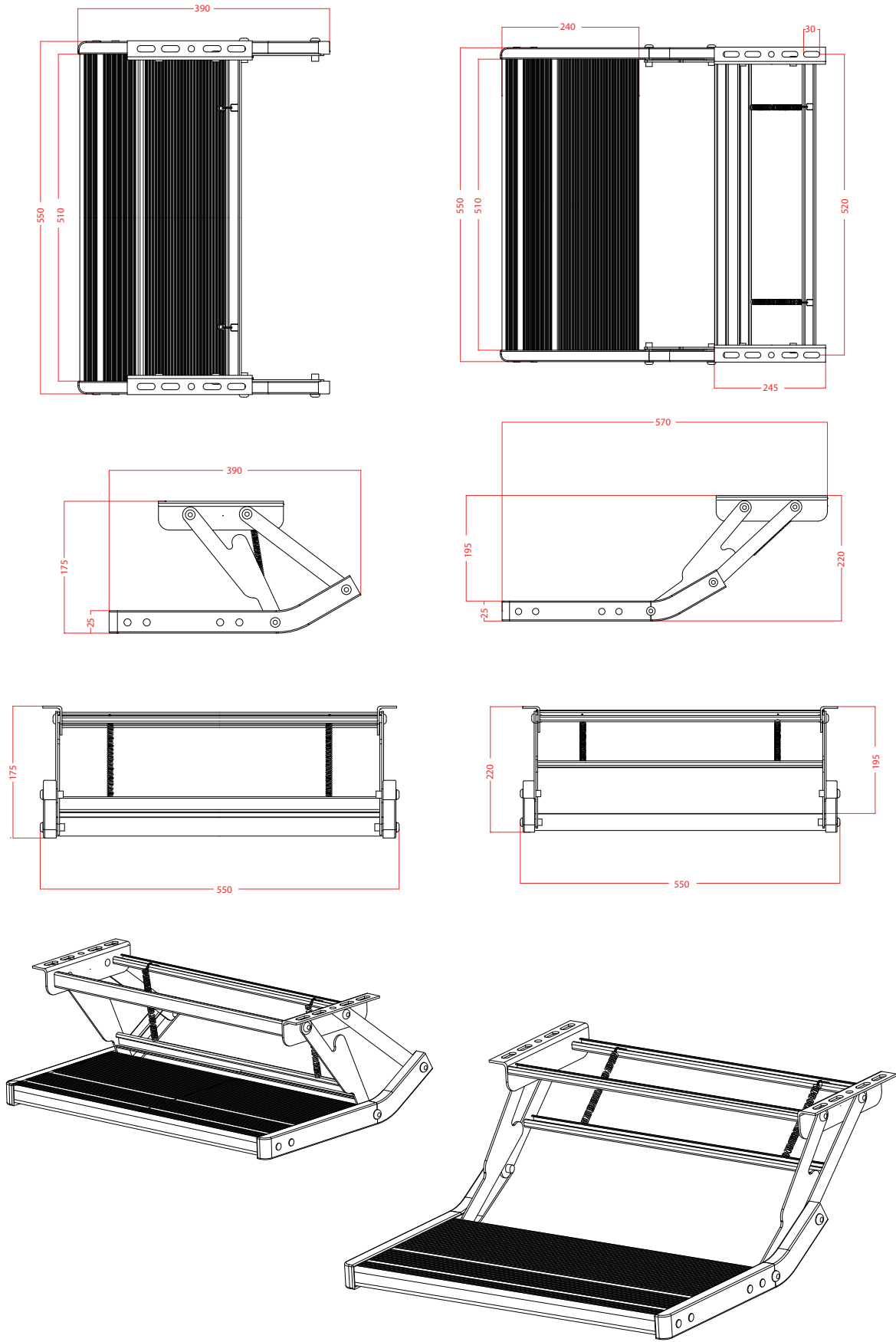
NOTE: Maximum height from ground to bottom step is 400mm. Install the step so it is between 200-300mm from top of step to the base of your vehicle.



1300 663 868 | enquiries@aussietraveller.com.au | aussietraveller.com.au

BRISBANE SHOWROOM: 11-15 Oasis Court, Clontarf QLD 4019 | MELBOURNE SHOWROOM: 235 Barry Road, Campbellfield VIC 3061

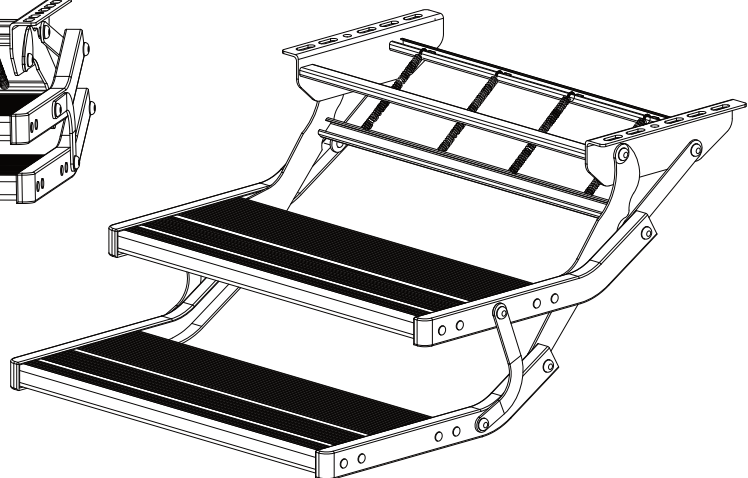
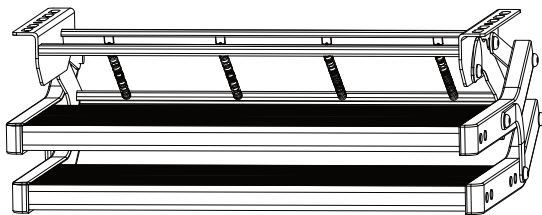
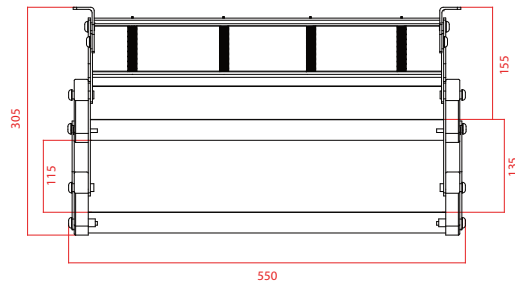
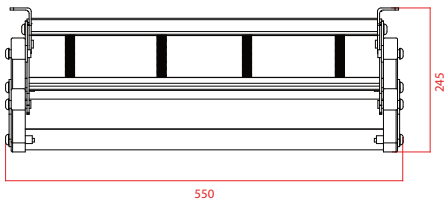
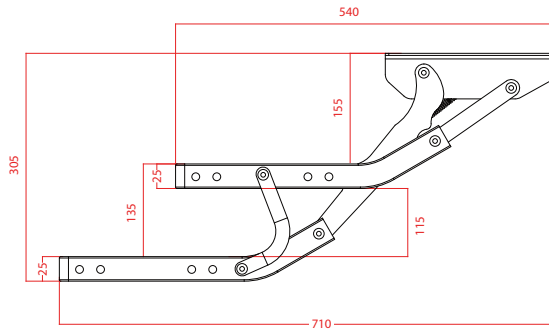
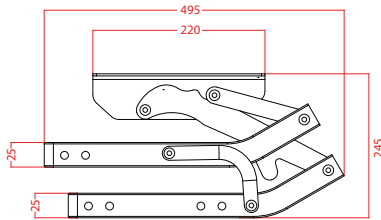
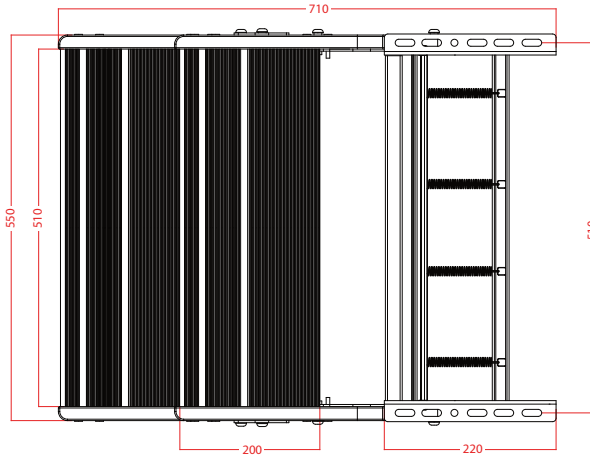
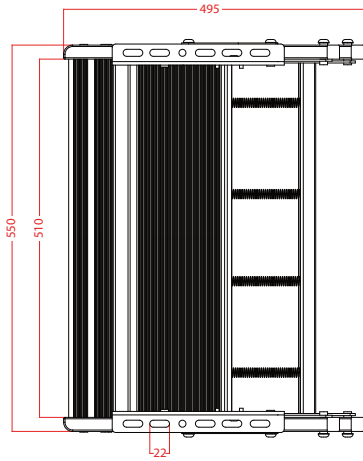
TECHNICAL PARAMETERS - DROP DOWN STEP SINGLE



1300 663 868 | enquiries@aussietraveller.com.au | aussietraveller.com.au

BRISBANE SHOWROOM: 11-15 Oasis Court, Clontarf QLD 4019 | MELBOURNE SHOWROOM: 235 Barry Road, Campbellfield VIC 3061

TECHNICAL PARAMETERS - DROP DOWN STEP DOUBLE

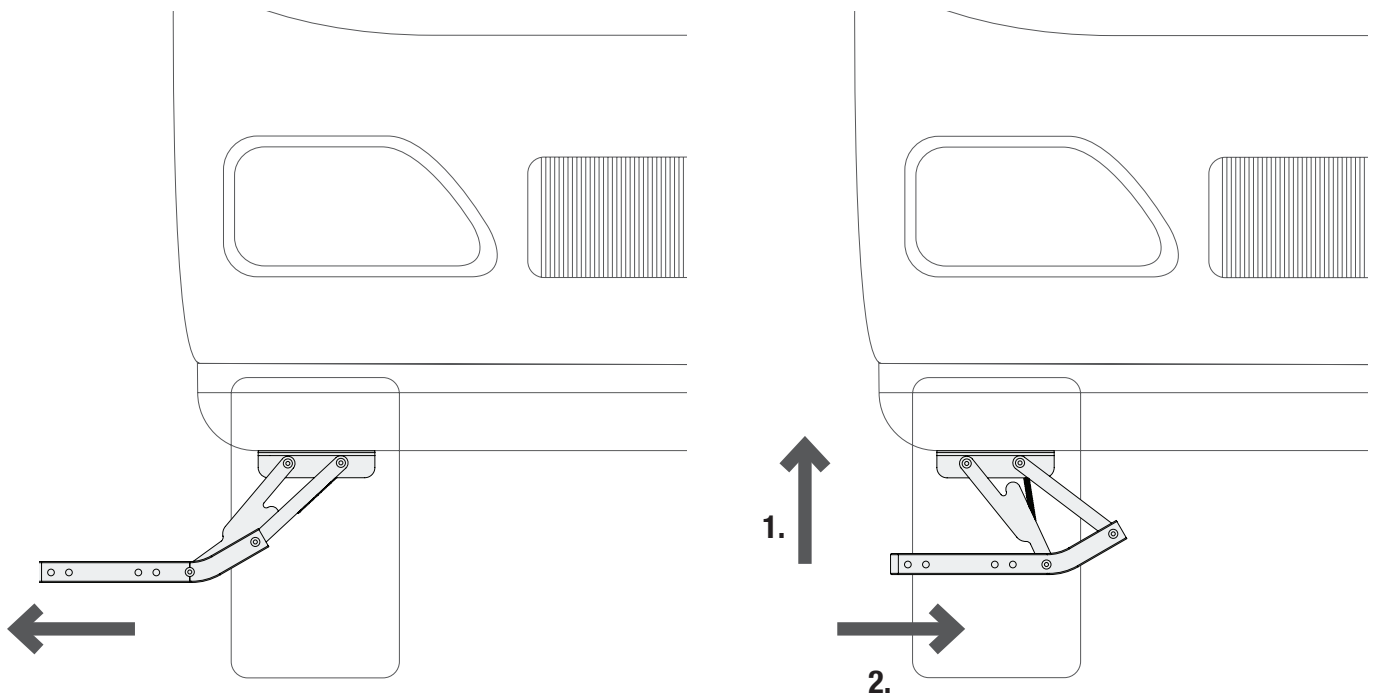


1300 663 868 | enquiries@aussietraveller.com.au | aussietraveller.com.au

BRISBANE SHOWROOM: 11-15 Oasis Court, Clontarf QLD 4019 | MELBOURNE SHOWROOM: 235 Barry Road, Campbellfield VIC 3061

OPERATING THE MANUAL DROP DOWN STEP

1. To open, pull the step slightly upward and outward simultaneously until the step is fully engaged. Ensure the step is has been **fully** opened and is stable and secure prior to stepping on the platform.
2. To close, pull the step slightly upwards and push back simultaneously until the step is fully closed. Ensure the step is has been **fully** closed and is stable and secure before any travel is commenced. For closure, this function can be performed using a foot.



 NEVER USE THE STEP IF STOWED OR ONLY PARTIALLY DEPLOYED.

1300 663 868 | enquiries@aussietraveller.com.au | aussietraveller.com.au

BRISBANE SHOWROOM: 11-15 Oasis Court, Clontarf QLD 4019 | MELBOURNE SHOWROOM: 235 Barry Road, Campbellfield VIC 3061