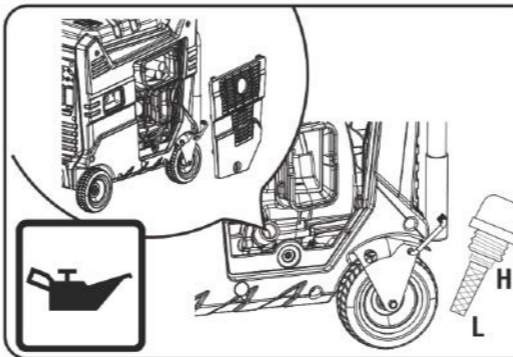


### Unpack your Maxwatt 8000 watt Inverter Generator:

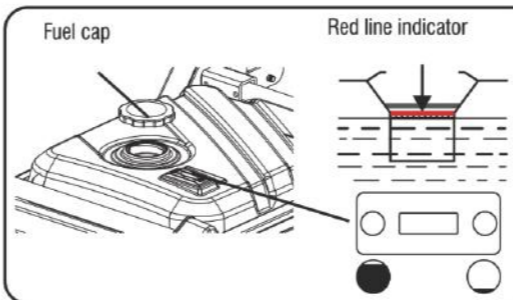
1. Take out the generator, accessories and manuals from the carton.
2. Check that all the accessories and manuals have been supplied.

❖ If any items are missing or damaged,  
Please contact Maxwatt Power Products



### 1a ADD OIL:

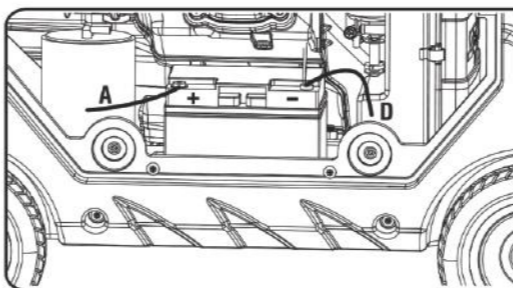
Place unit on a flat surface and remove oil fill cap/dipstick. With provided funnel, **add 1000ml SAE 10W-30 oil**. Replace fill cap/dipstick and tighten.



### 1b ADD PETROL:

Fill the fuel tank with clean unleaded petrol. Note that the fuel tank capacity is 26 Liters.

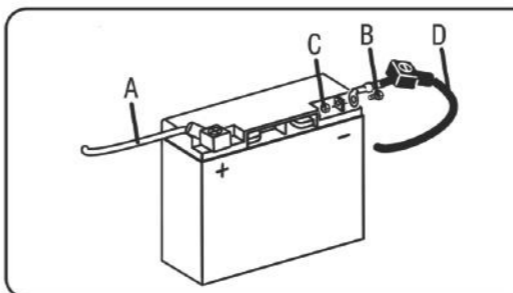
**26L**



### 2 BATTERY CABLE CONNECTION:

**NOTE:**

1. The generator comes equipped with the positive cable "A" (with red boot) already attached.
2. Ensure the positive (+) battery cable "A" with is securely tightened to the positive (+) battery terminal. Ensure that the boot covers the battery terminal.
3. Remove bolt "B" (M6x12) and nut "C" from battery negative (-) post. Locate negative (-) battery cable "D" with the black boot and attach to the negative (-) battery terminal. Tighten the cable with bolt "B" and nut "C". Cover the battery terminal with the black boot.



### ⚠ WARNING

To reduce the risk of injury or death please ensure that you read and understand the operator's manual prior to using the generator.

### ⚠ DANGER

Using a generator indoors **CAN KILL YOU IN MINUTES**. Generator exhaust fumes contains carbon monoxid which is extremely poisonous. This is a poison you cannot see or smell.



**NEVER** use inside a home or garage, **EVEN IF** doors and windows are open.



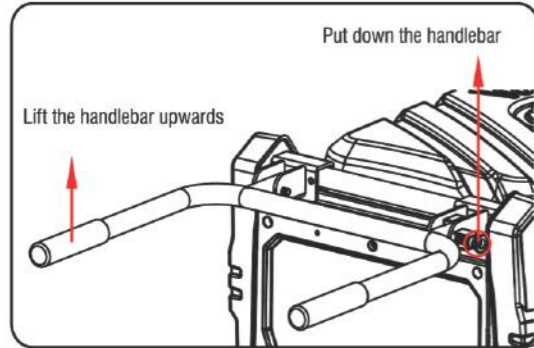
Only use **OUTSIDE** and far away from windows, doors and vents.

Avoid other generator hazards. **READ MANUAL BEFORE USE.**

### ⚠ WARNING

1. BE CAREFUL TO NOT OVERLOAD THE GENERATOR.
2. DO NOT PLUG THE GENERATOR DIRECTLY INTO A WALL SOCKET.

### 3. Use the handlebars



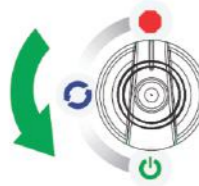
- When using the handlebars, lift it directly upwards.
- To lower the handlebars, pull the latch.

If generator is to be stored for longer than 30 days, refer to the operator's manual for further instruction.



#### STARTING THE GENERATOR:

- 1) Ensure that the generator is placed in a well-ventilated area.
- 2) Ensure that there are no electrical appliances plugged into the generator.



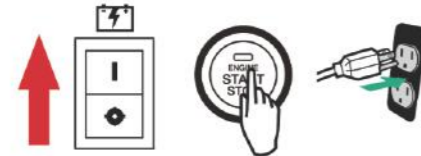
Turn the Fuel Switch to the **"ON"** position.



Ensure the Low IDLE Switch is in the **"OFF"** position.



#### PUSH - BUTTON START:



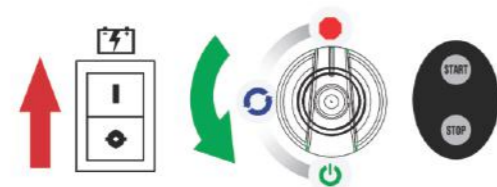
- 1) Press the Battery Switch (Red Switch) to the **"ON"** position.
- 2) Press & hold the Start Button for 4 seconds and wait for the generator to start.
- 3) Once the generator is running smoothly you can then connect the appliances.

#### CAUTION:

- 1) BE CAREFUL TO NOT OVERLOAD THE GENERATOR.
- 2) DO NOT PLUG THE GENERATOR DIRECTLY INTO A WALL SOCKET.

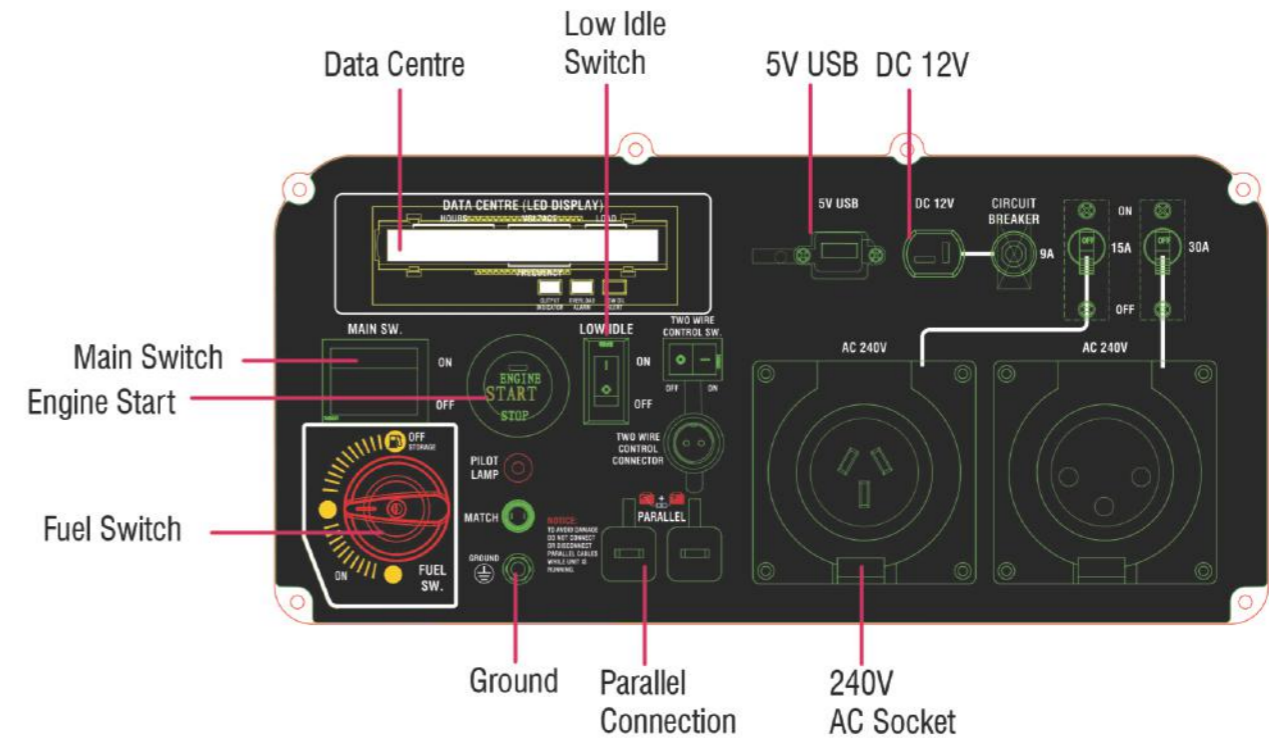


#### REMOTE START:



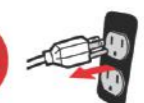
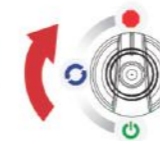
- 1) Press the Battery Switch (Red Switch) to the **"ON"** position.
- 2) Press the **"Start"** Button on the Remote.

## Control Panel Functions



#### TO STOP:

- 1) Turn the Fuel Switch to the **"OFF"** position.
- 2) Turn **"OFF"** the Battery Switch (Red Switch).
- 3) Press the Push - Button Start.
- 4) Hold down the Remote **"STOP"** button for 3 seconds.
- 5) Disconnect the appliances from the generator.



### NOTE CAUTION!

If the BATTERY SWITCH (RED SWITCH) is left in the **"ON"** when the generator is turned off, the Battery **WILL** run flat!