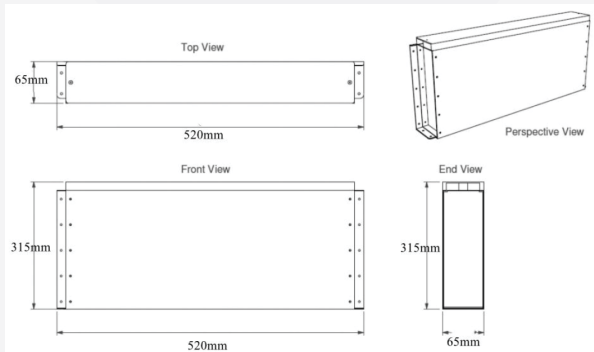


SNLSS12V100BT SPECIFICATION SHEET



About Invicta Lithium

The Invicta Super Slim 12V range has been specifically designed for fitment in to applications where usable space is extremely limited. Utilising LiFePO4 cell technology, this allows the cells to be tightly packed in to a modular design for ease of fitment. The range also utilises the safe and efficient benefits of Lithium Iron Phosphate (LiFePO4) technology and is ideally suited to deep cycle longer run time applications.

Features & Benefits

- Large number of cycles >2000 (100% DoD)**
 Up to 8 times cycle life of SLA lowering your total cost of ownership
- Safe and stable chemistry & Integrated BMS**
 The use of LiFePO4 along with the integrated BMS ensures protection against over charge / discharge, temperature and short circuit providing the highest degree of safety
- Modular construction** allows for tighter cell configuration and also enables up to four batteries to be put in parallel.
- High energy density (less than half of the weight of SLA)**
 Lowering total weight of application
- Fast recharge**
 Battery is charged and ready to be used sooner
- Flat Discharge Curve**
 Longer run time & more efficient use of capacity
- Extremely low self-discharge rate**
 Can sit unused for longer periods of time

Nominal Voltage	12.8v
Nominal Capacity (25°C, 0.33C)	100Ah
Terminal 1	Anderson 175A
Terminal 2	Anderson 120A
Terminal 3	M8
Length (mm)	520 ± 2mm
Width (mm)	65 ± 2mm
Height (mm)	315 ± 2mm
Weight	15.0kg
Max Charge Voltage	14.5 ± 0.1V
Standby	13.8 ± 0.1V
Cut off Voltage	10.5V
Max. Discharge Current	150A
Max. Pulse Discharge Current (5 Sec)	320A
Max. Charge Current	100A
Recommended Current Charge	≤ 50A
Cycle Life (100% DoD)	≥ 2000
Operating Temp - Charge	0 - 45°C
Operating Temp - Discharge	-20 - 60°C
Short Circuit Release	Load Release
Max. Parallel / Series Configuration	4P / 0S
Bluetooth	Yes